



## SERVICE MANUAL

# POWRTWIN™ PLUS DI

Powered By Speeflo® HydraDrive™

- GB -	SERVICE MANUAL	2
- D -	SERVICEHANDBUCH	16
- F -	MANUEL D'ENTRETIEN	32

AIRLESS, HIGH-PRESSURE  
SPRAYING UNIT

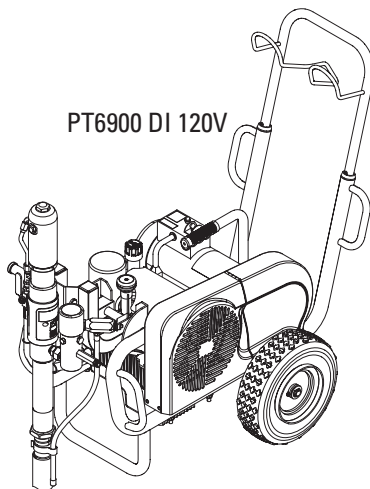
AIRLESS HOCHDRUCK-  
SPRITZGERÄT

GROUPE DE PROJECTION À  
HAUTE PRESSION

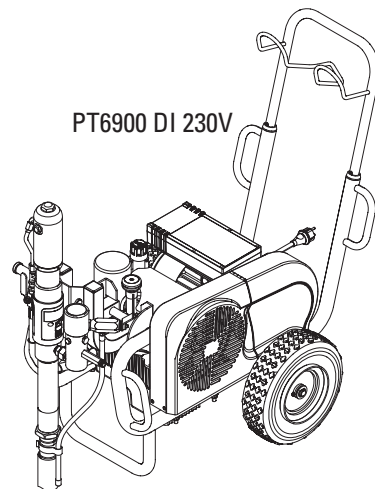
### Models:

PT6900 Plus DI (120V)	290029
PT6900 Plus DI (230V)	290033
PT6900 Plus DI (Gas)	290021
PT6900 Plus DI (Gas)	290035-MBV
PT6900 Plus DI (230V)	290061-MBV
PT12000 Plus DI (400V)	290034-MBV
PT12000 Plus DI (Gas)	290023

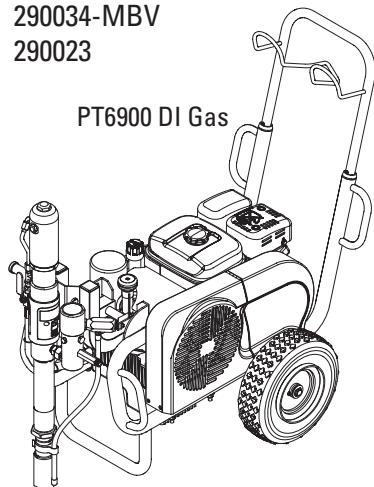
PT6900 DI 120V



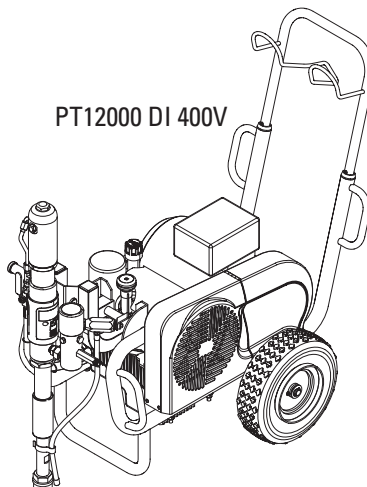
PT6900 DI 230V



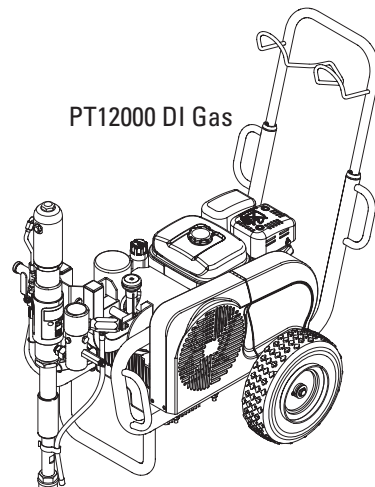
PT6900 DI Gas



PT12000 DI 400V



PT12000 DI Gas



# Warning!

**Attention: Danger of injury by injection!**  
**Airless units develop extremely high spraying pressures.**

**1**

**Never put your fingers, hands or any other parts of the body into the spray jet!**

**Never point the spray gun at yourself, other persons or animals.**

**Never use the spray gun without safety guard.**

**Do not treat a spraying injury as a harmless cut. In case of injury to the skin through coating materials or solvents, consult a doctor immediately for quick and expert treatment. Inform the doctor about the coating material or solvent used.**

**2**

**The operating instructions state that the following points must always be observed before starting up:**

1. Faulty units must not be used.
2. Secure Titan spray gun using the safety catch on the trigger.
3. Ensure that the unit is properly earthed.
4. Check allowable operating pressure of high-pressure hose and spray gun.
5. Check all connections for leaks.

**3**

**The instructions regarding regular cleaning and maintenance of the unit must be strictly observed.**

**Before any work is done on the unit or for every break in work the following rules must be observed:**

1. Release the pressure from spray gun and hose.
2. Secure the Titan spray gun using the safety catch on the trigger.
3. Switch off unit.

# Be safety conscious!

# Contents

	Page
<b>1. Safety regulations for Airless spraying</b> .....	2
1.1 Explanation of symbols used .....	2
1.2 Electrical safety.....	3
1.3 Gasoline engine safety .....	4
1.4 Fueling (gas engine).....	4
1.5 Setting up on uneven surfaces.....	4
<b>2. Repairs</b> .....	5
2.1 Replacing the motor brushes (120V electric convertokit).....	5
2.2 Replacing the belt.....	6
2.3 Servicing the hydraulic motor .....	8
2.4 Servicing the fluid section.....	10
2.5 SAE O-ring fitting installation .....	12
<b>3. Troubleshooting</b> .....	13
3.1 Airless gun .....	13
3.2 Fluid section.....	13
3.3 Hydraulic motors .....	14
3.4 Spray patterns .....	15
<b>Accessories and spare parts</b> .....	48
Spare parts list for the main assembly.....	48/49
Spare parts list for the cart assembly.....	50/51
Spare parts list for the hydraulic system.....	52/53
Spare parts list for the hydraulic motor .....	54/55
Spare parts list for the fluid section.....	56/57
Spare parts list for electric convertokit (120V).....	58
Spare parts list for electric convertokit (400V).....	59
Spare parts list for electric convertokit (230V).....	60/61
Spare parts list for gas convertokit .....	62
Spare parts list for the high-pressure filter .....	63
Spare parts list for belt guard assembly.....	64
Spare parts list for bleed valve .....	65
Spare parts list for bleed valve assembly, heavy materials .....	66
<b>Connection diagram (230V)</b> .....	68
<b>Connection diagram (400V)</b> .....	69
<b>Accessories for PT units</b> .....	70
Gun manifold assemblies (optional) .....	72
<b>Warranty</b> .....	74

# 1. Safety regulations for Airless spraying

## 1.1 Explanation of symbols used

This manual contains information that must be read and understood before using the equipment. When you come to an area that has one of the following symbols, pay particular attention and make certain to heed the safeguard.

	<b>This symbol indicates a potential hazard that may cause serious injury or loss of life. Important safety information will follow.</b>
 Attention	<b>This symbol indicates a potential hazard to you or to the equipment. Important information that tells how to prevent damage to the equipment or how to avoid causes of minor injuries will follow.</b>
	<b>Danger of skin injection</b>
	<b>Danger of fire from solvent and paint fumes</b>
	<b>Danger of explosion from solvent, paint fumes and incompatible materials</b>
	<b>Danger of injury from inhalation of harmful vapors</b>
	<b>Notes give important information which should be given special attention.</b>
	<b>WARNING! CALIFORNIA PROPOSITION 65 WARNING</b>  This product can expose you to chemicals including lead, which are known to the State of California to cause cancer, birth defects, or other reproductive harm.  The engine exhaust from models with gas-powered engines can expose you to carbon monoxide which is known to the State of California to cause cancer, birth defects, and other reproductive harm.  For more information go to <a href="http://www.P65warnings.ca.gov">www.P65warnings.ca.gov</a> .



### HAZARD: INJECTION INJURY

**A high pressure stream produced by this equipment can pierce the skin and underlying tissues, leading to serious injury and possible amputation.**

**Do not treat a spraying injury as a harmless cut. In case of injury to the skin through coating materials or solvents, consult a doctor immediately for quick and expert treatment. Inform the doctor about the coating material or solvent used.**

#### PREVENTION:

- NEVER aim the gun at any part of the body.
- NEVER allow any part of the body to touch the fluid stream. DO NOT allow body to touch a leak in the fluid hose.

- NEVER put your hand in front of the gun. Gloves will not provide protection against an injection injury.
- ALWAYS lock the gun trigger, shut the fluid pump off and release all pressure before servicing, cleaning the tip guard, changing tips, or leaving unattended. Pressure will not be released by turning off the engine. The PRIME/SPRAY valve or pressure bleed valve must be turned to their appropriate positions to relieve system pressure.
- ALWAYS keep tip guard in place while spraying. The tip guard provides some protection but is mainly a warning device.
- ALWAYS remove the spray tip before flushing or cleaning the system.
- NEVER use a spray gun without a working trigger lock and trigger guard in place.
- All accessories must be rated at or above the maximum operating pressure range of the sprayer. This includes spray tips, guns, extensions, and hose.



### HAZARD: HIGH PRESSURE HOSE

**The paint hose can develop leaks from wear, kinking and abuse. A leak can inject material into the skin. Inspect the hose before each use.**

#### PREVENTION:

- Avoid sharp bending or kinking of the high-pressure hose. The smallest bending radius amounts to about 20 cm.
- Do not drive over the high-pressure hose. Protect against sharp objects and edges.
- Replace any damaged high-pressure hose immediately.
- Never repair defective high-pressure hoses yourself!
- Electrostatic charging of spray guns and the high-pressure hose is discharged through the high-pressure hose. For this reason the electric resistance between the connections of the high-pressure hose must be equal to or lower than 1MΩ.
- For reasons of function, safety and durability use only original Titan high-pressure hoses.
- Before each use, check all hoses for cuts, leaks, abrasion or bulging of cover. Check for damage or movement of couplings. Immediately replace the hose if any of these conditions exist. Never repair a paint hose. Replace it with another earthed high-pressure hose.
- Make sure power cord, air hose and spray hoses are routed in such a manner to minimize slip, trip and fall hazard.



### HAZARD: EXPLOSION OR FIRE

**Flammable vapors, such as solvent and paint vapors, in work area can ignite or explode.**

#### PREVENTION:

- Use equipment only in well ventilated area. Keep a good supply of fresh air moving through the area to keep the air within the spray area free from accumulation of flammable vapors. Keep pump assembly in well ventilated area. Do not spray pump assembly.
- Electric models only - Do not use materials with a flashpoint below 38° C (100° F). Flashpoint is the temperature at which a fluid can produce enough vapors to ignite.
- Gas models only - Do not fill fuel tank while engine is running or hot; shut off engine and allow to cool. Fuel is flammable and can ignite or explode if spilled on a hot surface.
- Eliminate all ignition sources, such as pilot lights, cigarettes, portable electric lamps and plastic drop cloths (potential static arc).

- Keep work area free of debris, including solvent, rags and gasoline.
- Do not plug or unplug power cords, or turn power or light switches on or off when flammable vapors are present.
- Ground equipment and conductive objects in work area. Make sure the grounding cable (not equipped) is connected from the grounding lug to a true earth ground.
- Use only grounded hoses.
- Hold spray gun firmly to the side of a grounded pail when triggering into pail.
- If there is static sparking or if you feel a shock, stop operation immediately.
- Know the contents of the paint and solvents being sprayed. Read all Material Safety Data Sheets (MSDS) and container labels provided with the paints and solvents. Follow the paint and solvent manufacturer's safety instructions.
- Do not use a paint or solvent containing halogenated hydrocarbons. Such as chlorine, bleach, mildewcide, methylene chloride and trichloroethane. They are not compatible with aluminum. Contact the coating supplier about compatibility of material with aluminum.
- Keep a fire extinguisher in work area.



#### HAZARD: HAZARDOUS VAPORS

Paints, solvents, and other materials can be harmful if inhaled or come in contact with body. Vapors can cause severe nausea, fainting, or poisoning.

#### PREVENTION:

- Wear respiratory protection when spraying. Read all instructions supplied with the mask to be sure it will provide the necessary protection.
- All local regulations regarding protection against hazardous vapors must be observed.
- Wear protective eyewear.
- Protective clothing, gloves and possibly skin protection cream are necessary for the protection of the skin. Observe the regulations of the manufacturer concerning coating materials, solvents and cleaning agents in preparation, processing and cleaning units.



#### HAZARD: GENERAL

This product can cause severe injury or property damage.

#### PREVENTION:

- Follow all appropriate local, state, and national codes governing ventilation, fire prevention, and operation.
- Pulling the trigger causes a recoil force to the hand that is holding the spray gun. The recoil force of the spray gun is particularly powerful when the tip has been removed and a high pressure has been set on the airless pump. When cleaning without a spray tip, set the pressure control knob to the lowest pressure.
- Use only manufacturer authorized parts. User assumes all risks and liabilities when using parts that do not meet the minimum specifications and safety devices of the pump manufacturer.
- ALWAYS follow the material manufacturer's instructions for safe handling of paint and solvents.
- Clean up all material and solvent spills immediately to prevent slip hazard.
- Wear ear protection. This unit can produce noise levels above 85 dB(A).

- Never leave this equipment unattended. Keep away from children or anyone not familiar with the operation of airless equipment.
- Do not spray on windy days.
- The device and all related liquids (i.e. hydraulic oil) must be disposed of in an environmentally friendly way.

## 1.2 Electric Safety

Electric models must be earthed. In the event of an electrical short circuit, earthing reduces the risk of electric shock by providing an escape wire for the electric current. This product is equipped with a cord having an earthing wire with an appropriate earthing plug. Connection to the mains only through a special feed point, e.g. through an error protection installation with INF < 30 mA.



**DANGER — Work or repairs at the electrical equipment may only be carried out by a skilled electrician. No liability is assumed for incorrect installation. Switch the unit off. Before all repair work, unplug the power plug from the outlet.**

Danger of short-circuits caused by water ingressing into the electrical equipment. Never spray down the unit with high-pressure or high-pressure steam cleaners.

#### Work or repairs at the electrical equipment:

These may only be carried out by a skilled electrician. No liability is assumed for incorrect installation.

#### Operating Temperature

This equipment will operate correctly in its intended ambient, at a minimum between +10°C and +40°C.

#### Relative Humidity

The equipment will operate correctly within an environment at 50% RH, +40°C. Higher RH may be allowed at lower temperatures.

Measures shall be taken by the Purchaser to avoid the harmful effects of occasional condensation.

#### Altitude

This equipment will operate correctly up to 2100 m above mean sea level.

#### Transportation and Storage

This equipment will withstand, or has been protected against, transportation and storage temperatures of -25°C to +55°C and for short periods up to +70°C.

It has been packaged to prevent damage from the effects of normal humidity, vibration and shock.

## 1.3 Gasoline Engine Safety

1. Gas engines are designed to give safe and dependable service if operated according to instructions. Read and understand the engine manufacturer's Owner's Manual before operating the engine. Failure to do so could result in personal injury or equipment damage.
2. To prevent fire hazards and to provide adequate ventilation, keep the engine at least 1 meter (3 feet) away from buildings and other equipment during operation. Do not place flammable objects close to the engine.
3. People who are not operating the device must stay away from the area of operation due to a possibility of burns from hot engine components or injury from any equipment the engine may be used to operate.
4. Know how to stop the engine quickly, and understand the operation of all controls. Never permit anyone to operate the engine without proper instructions.
5. Gasoline is extremely flammable and is explosive under certain conditions.
6. Refuel in a well-ventilated area with the engine stopped. Do not smoke or allow flames or sparks in the refueling area or where gasoline is stored.

Safety precautions

7. Do not overfill the fuel tank. After refueling, make sure the tank cap is closed properly and securely.
8. Be careful not to spill fuel when refueling. Fuel vapor or spilled fuel may ignite. If any fuel is spilled, make sure the area is dry before starting the engine.
9. Never run the engine in an enclosed or confined area. Exhaust contains poisonous carbon monoxide gas; exposure may cause loss of consciousness and may lead to death.
10. The muffler becomes very hot during operation and remains hot for a while after stopping the engine. Be careful not to touch the muffler while it is hot. To avoid severe burns or fire hazards, let the engine cool before transporting it or storing it indoors.
11. Never ship/transport sprayer with gasoline in the tank.



**DO NOT use this equipment to spray water or acid.**



Attention

**Do not lift by cart handle when loading or unloading. Device is very heavy. Three-person lift is required.**

**1.4 Fueling (gas engine)**



**Gasoline is extremely flammable and is explosive under certain conditions.**



Attention

**Do not overfill the gas tank. Overfilling can cause the gas cap to become clogged with any particles in the gasoline which can cause a vacuum. Read the gas engine's instruction manual for fueling instructions.**

**Fuel Specifications**

- Use automotive gasoline that has a pump octane number of 86 or higher, or that has a research octane number of 91 or higher. Use of a lower octane gasoline can cause persistent "pinging" or heavy "spark knock" (a metallic rapping noise) which, if severe, can lead to engine damage.



**If "spark knock" or "pinging" occurs at a steady engine speed under normal load, change brands of gasoline. If spark knock or pinging persists, consult an authorized dealer of the engine manufacturer. Failure to do so is considered misuse, and damage caused by misuse is not covered by the engine manufacturer's limited warranty.**

**Occasionally you may experience light spark knock while operating under heavy loads. This is no cause for concern, it simply means your engine is operating efficiently.**

- Unleaded fuel produces fewer engine and spark plug deposits and extends the life of the exhaust system components.
- Never use stale or contaminated gasoline or an oil/gasoline mixture. Avoid getting dirt, dust, or water in the fuel tank.

**Gasolines Containing Alcohol**

If you decide to use a gasoline containing alcohol (gasohol), be sure its octane rating is at least as high as that recommended by the engine manufacturer. There are two types of "gasohol": one containing ethanol, and the other containing methanol. Do not use gasohol that contains more than 10% ethanol. Do not use gasoline containing methanol (methyl or wood alcohol) that does not also contain co-solvents and corrosion inhibitors for methanol. Never use gasoline containing more than 5% methanol, even if it has co-

solvents and corrosion inhibitors.

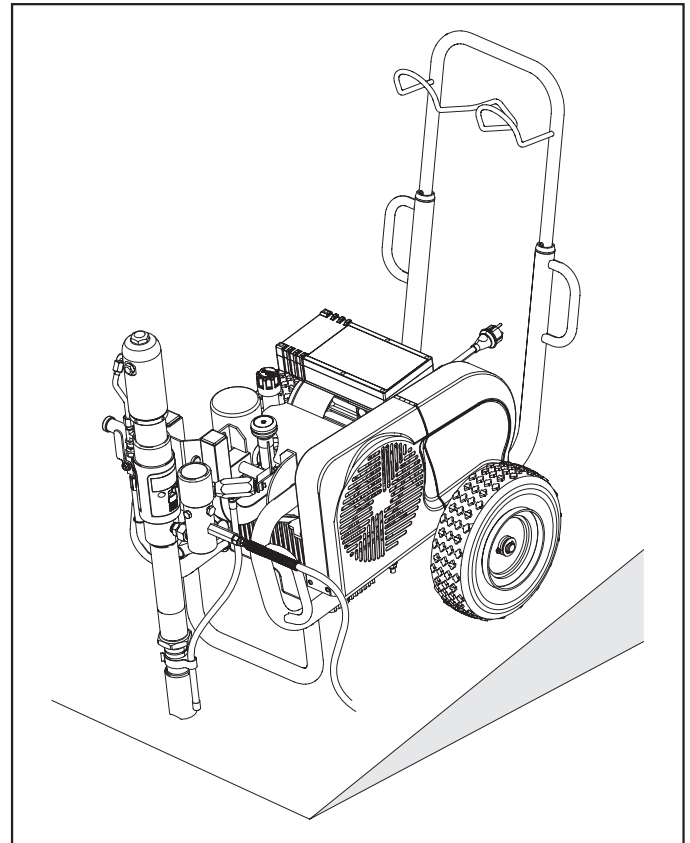


**Fuel system damage or engine performance problems resulting from the use of fuels that contain alcohol is not covered under the warranty. The engine manufacturer cannot endorse the use of fuels containing methanol since evidence of their suitability is incomplete at this time.**

**Before buying gasoline from an unfamiliar station, try to find out if the gasoline contains alcohol. If it does, confirm the type and percentage of alcohol used. If you notice any undesirable operating characteristics while using a gasoline that contains alcohol, or one that you think contains alcohol, switch to a gasoline that you know does not contain alcohol.**

**1.5 Setting up on uneven surfaces**

The front side of the unit must point downwards to prevent sliding away.



## 2. Repairs



**Prior to making any repairs, make sure to perform the Pressure Relief Procedure, section 4.6 of the Operation Manual. Additionally, follow all other warnings to reduce the risk of an injection injury, injury from moving parts or electric shock. Always unplug the sprayer before servicing!**

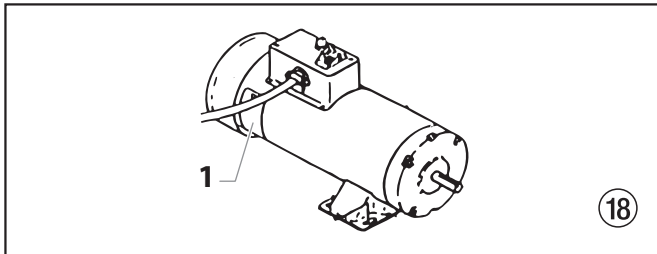
### 2.1 Replacing the Motor Brushes (120V electric motor)

The 120V electric Convertokit is available for separate purchase. Perform this procedure using Motor Brush Kit P/N 978-050. The kit consists of two brushes, two springs, and two clips.

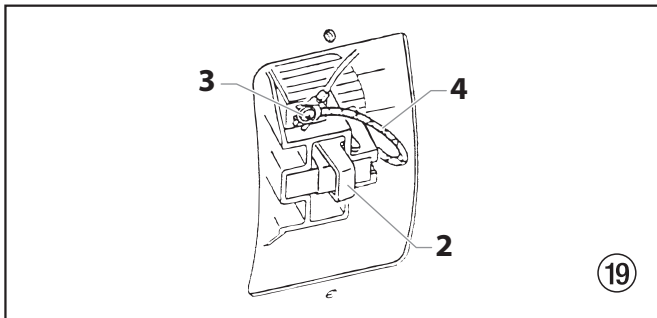


**Brushes should be replaced when they are worn to less than 1/2 inch. Check and replace both brushes at the same time.**

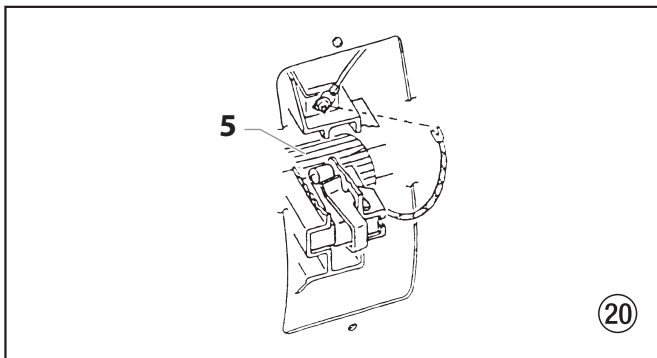
1. Remove both inspection covers (1) on the motor.



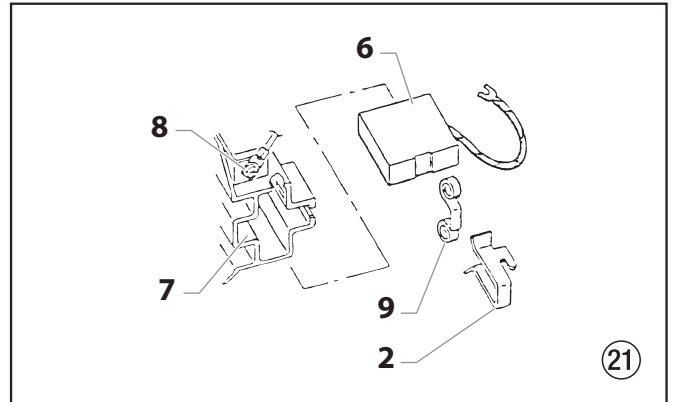
2. Push in the spring clip (2) to unhook it, then pull it out.
3. Loosen the terminal screw (3). Pull the brush lead (4) away, but leave the motor lead in place. Remove the brush and spring.



4. Inspect the commutator (5) for burning, excessive pitting or gouging. A black color on the commutator is normal.



5. Install the new brush (6) so its lead slides in the long slot of the brush holder (7). Push the terminal under the terminal screw washer (8). Ensure the motor lead is still connected at the screw. Tighten the screw.
6. Place the spring (9) on the brush (6) as shown above. Push in and hook the spring clip (2). Repeat this procedure for the other side.



7. Reinstall both inspection covers.



**If electric motor overloads and stops running, IMMEDIATELY turn the motor off and follow the Pressure Relief Procedure in the Cleanup section of this manual. Wait until the motor cools (approximately 30 minutes). Then push in the bubble top, manual reset button, turn the motor on and pressurize the system.**

## 2.2 Replacing the Belt (Fig. 22)



**Before replacing the belt on your unit, make sure you have performed the "Pressure Relief Procedure" as illustrated in the Operation section of this manual. DO NOT attempt this repair while the unit is running.**



**The graphics below show a unit with a gas engine. All instructions given in this section will apply to both gas engine models and electric motor models except where noted.**

1. Loosen the bolt (1) on the front of the belt guard. Lift open the front end of the belt guard (2) so that the front end of the belt (3) is exposed.
2. Gently lift the front end of the gas engine / electric motor. This will loosen the tension on the belt and make it easier to remove.



**PINCH HAZARD. Make sure your fingers remain clear of the gas engine / electric motor mounting plate.**

**BURN HAZARD. Make sure the gas engine has had time to sufficiently cool before touching it.**

3. While the gas engine / electric motor is lifted up, remove the belt from the front (4) and rear (5) pulleys.
4. Install the new belt:
  - a. Insert the belt into the fixed section of the belt guard (6). Loop the belt over the rear pulley (5) until the belt engages the pulley groove.
  - b. Gently lift the front end of the gas engine / electric motor.
  - c. With the front end of the gas engine / electric motor lifted, loop the other end of the belt around the front pulley (4).
  - d. Gently set the the gas engine / electric motor down. The weight of the gas engine / electric motor will create tension in the belt and prevent it from coming off.

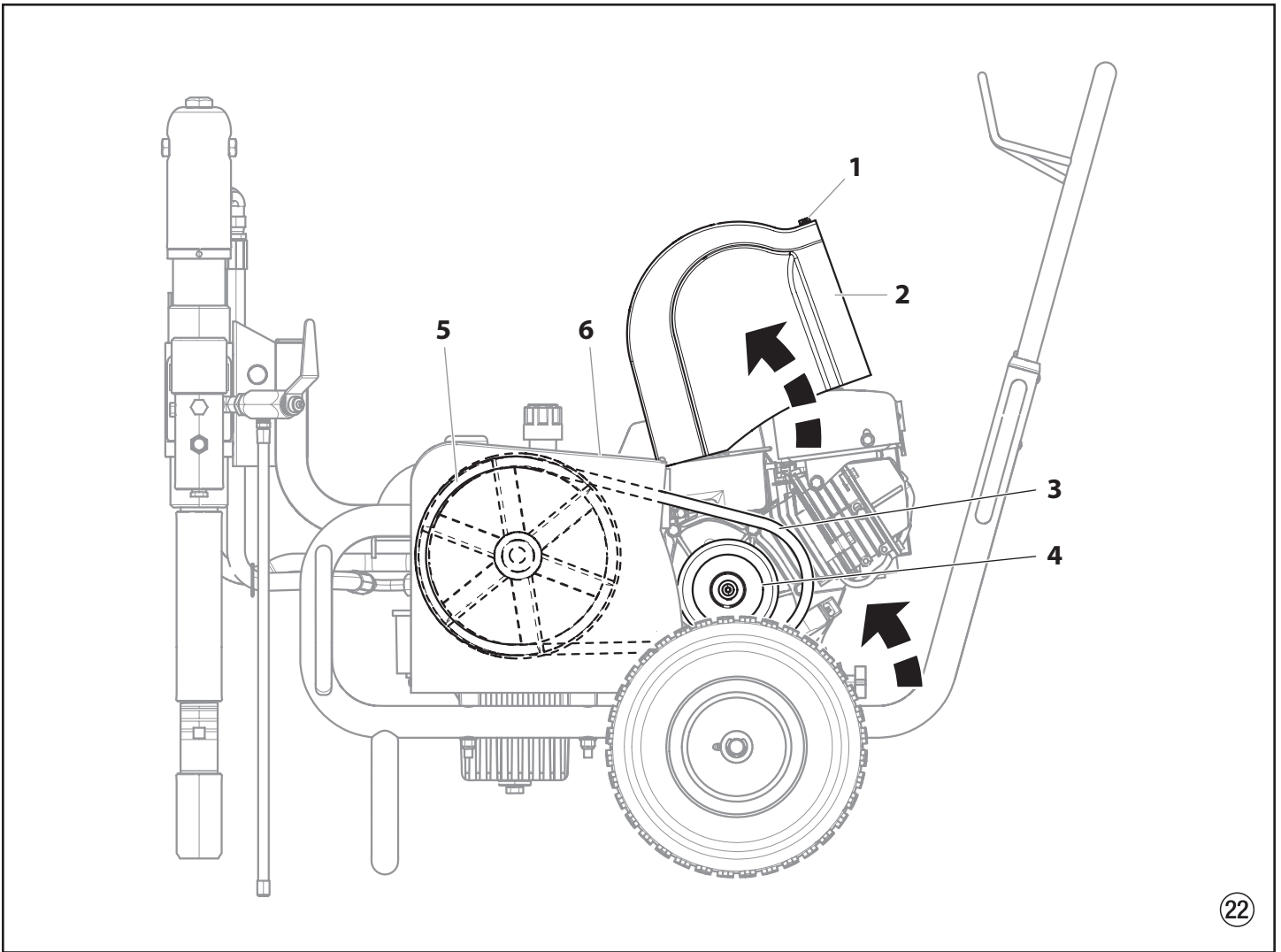


**Attention**

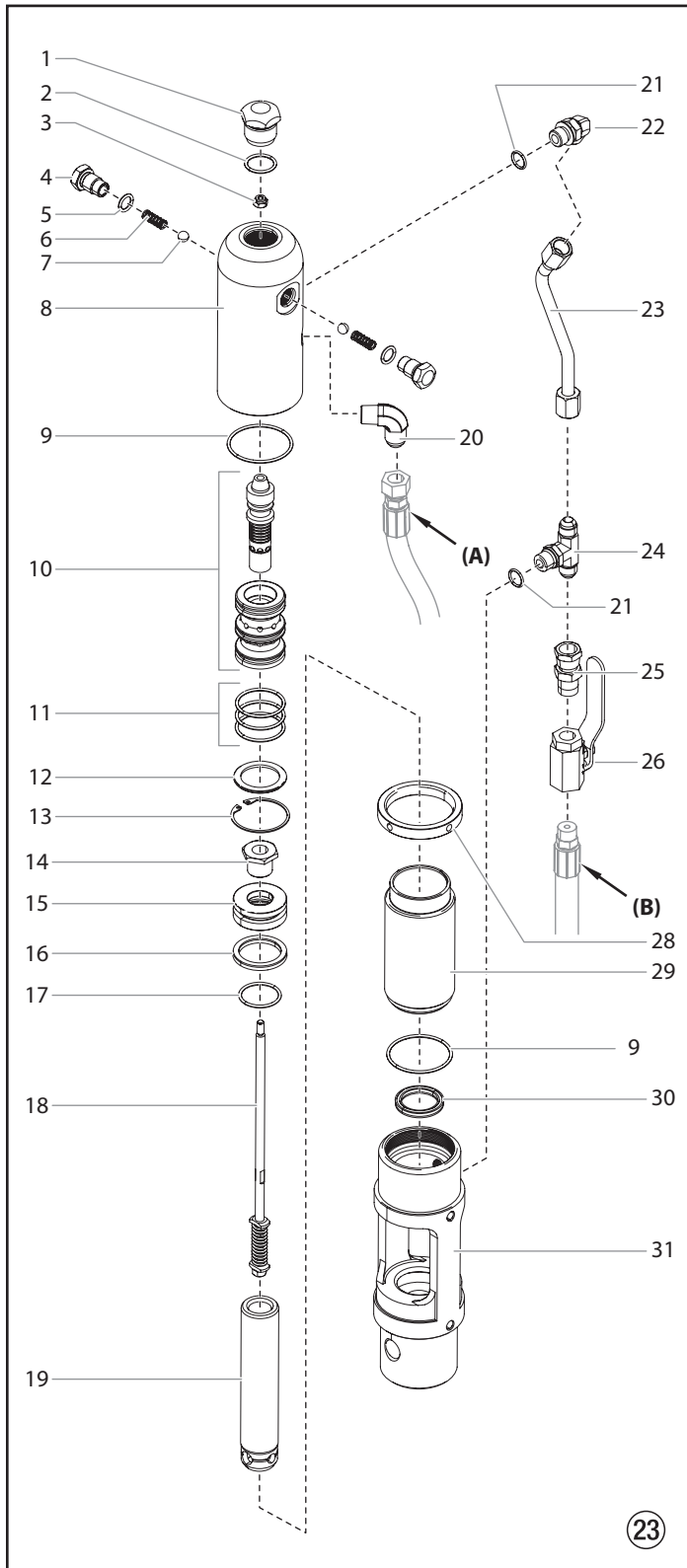
**Make sure the belt is not pinched or twisted in any way once you have set the gas engine / electric motor back into place.**

- e. Close the belt guard (2) and tighten the belt guard bolt (1).





## 2.3 Servicing the Hydraulic Motor (Fig. 23)



Refer to the "SAE O-Ring Fitting Installation" procedure at the end of this section for installation instructions for item 22 and 24.

Perform this procedure using the necessary parts from Motor Service Kit — Minor (P/N 235-050). If the hydraulic motor is operable, start the machine and jog the piston rod (19) into its top position.



Service of the hydraulic motor should be carried out in a clean, dust free area only. Any dust or metallic particles left in the motor or entering it on reassembly may damage the critical parts and affect its service life and warranty. All parts should be inspected for absolute cleanliness.

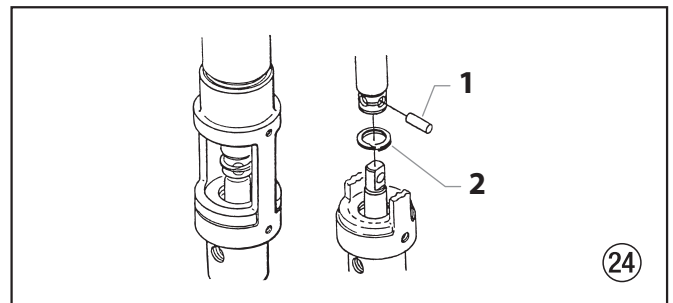
### Disassembling the Hydraulic Motor

1. Disconnect the pressure hose assembly (B) from the elbow on the back of the hydraulic pump.
2. Remove the two mounting screws and two lock washers that attach the motor/pump assembly to the cart.
3. Place the motor/pump assembly in a vise, holding it securely by the motor/pump block (31).
4. Remove cylinder head plug (1).
5. Loosen lock ring (28) with a spanner wrench and unthread tube retaining nut on tee (24). Loosen tube retaining nut on elbow (22). Slide the nut down. Remove motor tube assembly (23). Slowly unthread cylinder head (8) and lift it just high enough above the cylinder (29) to reach the valve rod assembly (18) with vise grip pliers.
6. The piston rod (19) should be near the top of its stroke for disassembly. It may be necessary to use a wood or nylon driver to push the piston rod up to its top position.
7. Grip the valve rod securely with vise grip pliers and then remove the FlexLoc nut (3) from the top of the valve rod assembly (18). Be careful that spool (10) does not fall. The cylinder head (8) can now be lifted off. Unthread the cylinder (29) from the motor/pump block (31).



An extra lock ring (28) can be used to jam the two lock rings together on the cylinder and a pipe wrench can be used to unthread the cylinder (29) from the motor/pump block.

8. To remove the connecting pin (Fig. 24, 1), slide the retaining ring (2) down with a small screwdriver, and then push the connecting pin out.



9. Remove the piston rod assembly from the motor/pump block (31).
10. Remove rod seal (30), being extremely careful not to scratch the seal groove in the motor/pump block (31).
11. Place the piston retainer screw (14) on the piston rod assembly in a vise. Slide a long bar through the hole at the base of the piston rod for leverage, and unthread the piston rod from the piston retainer screw.
12. Remove piston (19) and lift out valve rod assembly (18).
13. Remove piston seal (16) and o-ring (17).

14. Remove trip retainers (4), trip springs (6), and balls (7) from cylinder head (8). Remove o-rings (5) from trip retainers.
15. Remove retaining ring (13) and sleeve retainer (12). Gently tap spool/sleeve set (10) out of cylinder head (8) using a wood or nylon rod.
16. Inspect piston rod (19) and cylinder (29) for wear, scratches, and dents. Replace if damaged.
17. Inspect spool valve (10) for wear. Replace if necessary. spool valve should move smoothly and freely with no force by holding in a vertical position. If it does not, it can cause the motor to stall.

valve rod threads must be clean and free of oil. Place one drop of blue Loctite on threads of flex lock nut (3) and thread nut onto valve rod to full tight position (do not over-tighten) while holding valve rod below with vise grip pliers.

13. Thread cylinder head (8) down onto the cylinder (29) and then back off just enough to reassemble hydraulic fittings and motor tube (23). Tighten lock ring with spanner wrench to hold cylinder head in position.
14. Install o-ring (2) onto cylinder head plug (1). Tighten.

### Reassembling the Hydraulic Motor

1. Separate spool/sleeve set (10). Place o-rings (11) onto sleeve. Lubricate o-rings with hydraulic oil. Gently push the sleeve into cylinder head (8) with the flatter side of the sleeve facing out. Use a nylon rod to tap sleeve down until it reaches its full depth. Do not use any other type of tool that might damage or leave particles or residue on the sleeve. Install the spool through the top of the cylinder head, down into the sleeve.



Attention

**Do not use Piston Lube pump packing lubricant. It is a solvent and will severely damage seals and O-Rings of the hydraulic motor.**

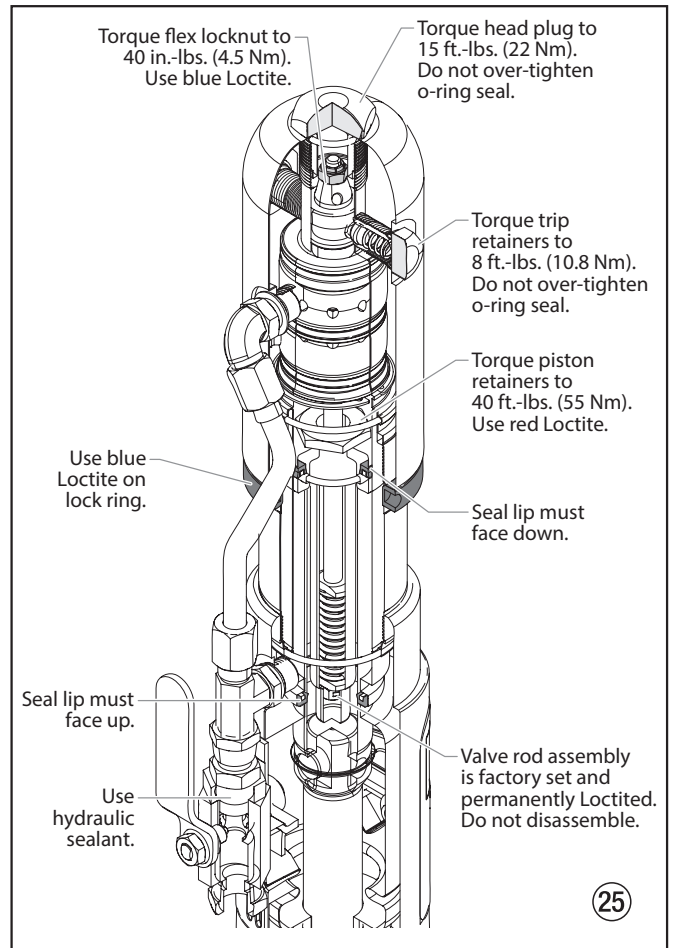
2. Install o-rings (5) on trip retainers (4). Install trip retainer balls (7) followed by springs (6) which, when installed, will hold spool/sleeve set (10) in proper place for assembly.
3. Install sleeve retainer (12) followed by retainer ring (13) into cylinder head (8), which will hold valve sleeve in place. Install o-ring (9) in the o-ring groove of the cylinder head.
4. Replace rod seal (30) in motor/pump block (31). Be sure the open portion of the seal is facing upward (V). This seal requires no special tool.
5. Place piston rod (19) in vise. Inspect valve rod assembly (18) for any damage. Make sure the lock nut at the bottom of the valve rod assembly is secure. DO NOT remove. Then, place into piston rod as illustrated. Install o-ring (17), lubricating it well and replacing piston (15) onto piston rod (19). Put one drop of blue Loctite on the piston retainer screw (14). Tighten piston retainer screw until piston is locked into place. Check valve rod assembly for normal spring action at this time.
6. Install piston seal (16) with lips facing downward. Carefully install o-ring (17). Expand the ring and stretch it sufficiently for installation.
7. With motor/pump block (31) still in vise, install rod seal (30) by pushing it towards its groove with a properly sized blunt rod. Then complete installation with the fingers. No tool is necessary. Do not twist the seal.
8. Pre-lubricate the piston and valve rod assembly with Coolflo™ hydraulic fluid (P/N 430-361). Install piston rod (19) into motor/pump block (31) with a gently pushing and rotating motion to work the piston rod in through the rod seal (30).



**Inspect the bottom of piston rod (19) for nicks or sharp areas that could damage the piston seal during installation through the motor/pump block (31).**

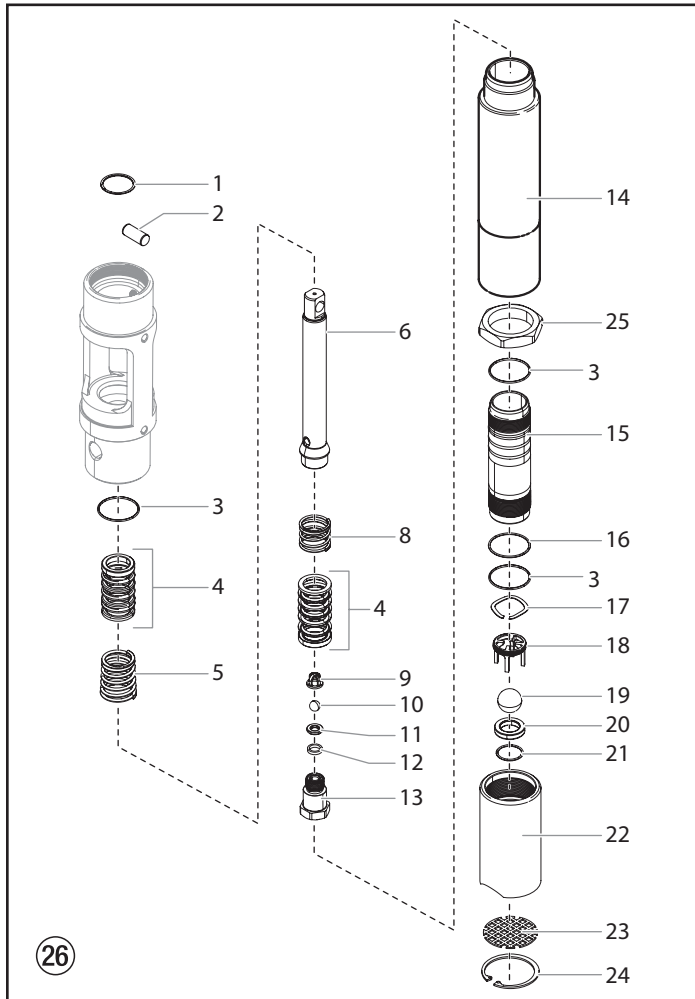
9. Replace the connecting rod pin and retainer ring.
10. Install o-ring (9) on cylinder wall. Lubricate ring and inner wall. With the piston rod held firmly, the cylinder should be gently driven over the piston seal with a rubber mallet. Tightly thread the cylinder into motor/pump block (31).
11. Raise piston rod (19) to top position and thread lock ring (28) all the way up on upper threads of cylinder (29).
12. Pull valve rod assembly (18) up as far as it will travel and grasp it with vise grip pliers. Then install cylinder head (8), already assembled, over valve rod until the top threads of the valve rod pass through the top of the spool/sleeve set (10). The

### Hydraulic Motor Cut-Away

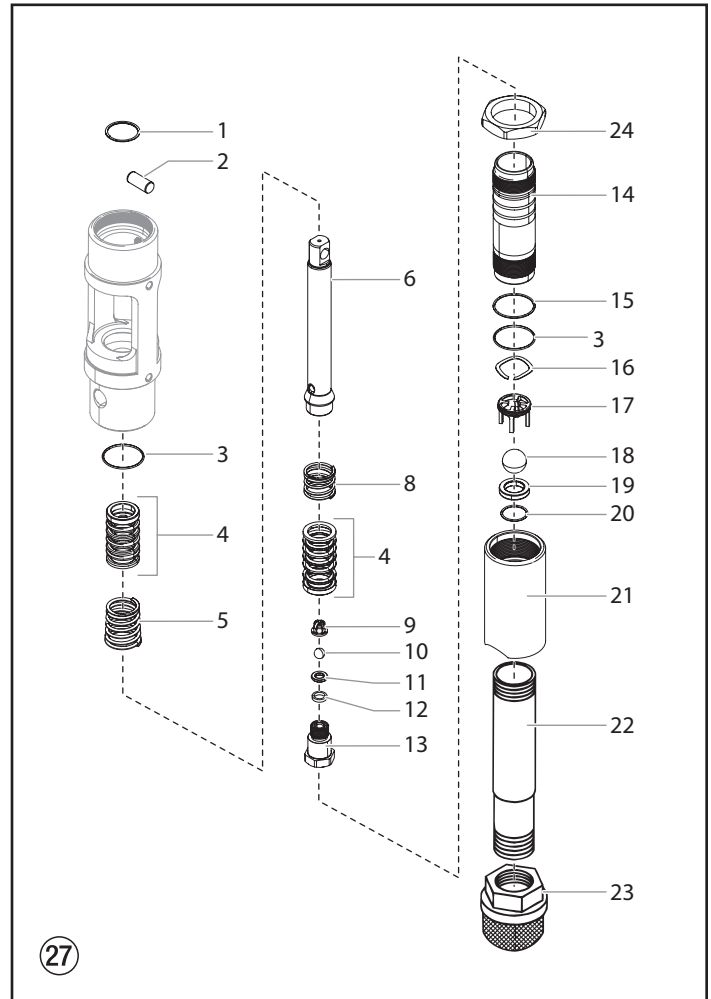


## 2.4 Servicing the Fluid Section

### PT6900 Plus DI



### PT12000 Plus DI



Attention

**Use of non-Titan service parts may void warranty. Ask for original parts made by Titan for best services. This pump should receive a routine servicing after approximately 1,000 hours of use. Earlier servicing is required if there is excessive leakage from the top packing or if pump strokes become faster on one stroke or the other. The use of Titan Piston Lube (P/N 314-480) is recommended as an upper packing lubricant. Do not substitute oil, water, or solvent for an upper packing lubricant.**



**Numbers in parentheses refer to the item numbers in the fluid section illustrations. If there are two numbers, the first number represents the item number for the PT6900 Plus DI and the second number represents the item number for the PT12000 Plus DI.**

### Disassembling the Fluid Section

- 1a. **PT6900 Plus DI** - Remove the foot valve housing (22), pump cylinder (15), and cylinder spacer (14) with a strap wrench.
- 1b. **PT12000 Plus DI** - Remove the siphon tube (22). Unthread the foot valve housing (21) and the pump cylinder (14) with a strap wrench.



**If the pump cylinder (15, 14) cannot be removed with a strap wrench, use the removal nut (25, 24) to remove it from the pump housing.**

2. Slide the retainer ring (1) up with a small screwdriver, then push the connecting pin (2) out.
3. Pull the displacement rod (6) through the lower cavity of the motor/pump block.
4. Remove the PTFE o-ring (3), upper packing spring (5), and upper packing set (4) from the motor/pump block.
5. Hold the displacement rod (6) in a vise by the flats at the top of the displacement rod and remove the outlet valve housing (13) with a wrench while holding the displacement rod horizontal with wooden support, if necessary. Remove the seal washer (12), outlet valve seat (11), outlet valve ball (10), outlet valve cage (9), lower packing set (4), and lower packing spring (8).

6. Using a 1/2" extension bar attached to a 1/2" drive ratchet, insert the end of the extension bar into the square opening of the foot valve cage (18,17) inside the foot valve housing (22,21). Unscrew and remove the foot valve cage along with the wave washer (17,16) from the foot valve housing.
7. Remove the PTFE o-ring (3), foot valve ball (19,18), foot valve seat (20,19), and seat o-ring (21,20) from the foot valve housing (22,21).
8. Remove the o-ring (16,15) from the pump cylinder (15,14)

- 16a. **PT6900 DI** - Thread the male end of the cylinder spacer (14) into the motor/pump block and tighten with a strap wrench. Thread the pump cylinder (15) into the cylinder spacer with the knurled end of the pump cylinder being towards the cylinder spacer, and tighten with a strap wrench.
- 16b. **PT12000 DI** - Orient the cylinder (14) with the knurled portion and removal nut at the top, thread into the block and tighten with a strap wrench.

**Reassembling the Fluid Section**

**i Use PTFE tape on all threaded pipe connections.**

1. Place a new seat o-ring (21,20) into the groove in the bottom of the foot valve housing (22,21).
2. Inspect the foot valve seat (20,19) for wear. If one side is worn, flip the seat to the unused side. If both sides are worn, install a new seat. Place the new or flipped seat (worn side down) into the bore at the bottom of the foot valve housing (20,21).
3. Place a new foot valve ball (19,18) onto the foot valve seat (18,19). Using a 1/2" extension bar attached to a 1/2" drive ratchet, insert the end of the extension bar into the square opening of the foot valve cage (18,17) and screw the foot valve cage into the foot valve housing (22,21). Torque the cage to 240 in./lbs. (20 ft./lbs.).
4. Place the wave washer (17,16) on top of the foot valve cage (18,17).
5. Insert a new PTFE o-ring (3) into the groove of the foot valve housing (22,21). Lubricate the o-ring using oil or grease.
6. After soaking the leather packings in oil (preferably linseed oil), reassemble the lower packing set (4). Place the set onto the outlet valve housing (13) with the peak of the "V" packings pointing down toward the hex on the outlet valve housing.

**i The removal nut (25, 24) must be bottomed-out on the threads of the cylinder (15, 14) prior to installation and after the cylinder is tight. Do not use the nut to jam against the block or damage will occur during use. The nut is included to help with removing the cylinder only.**

17. Place the o-ring (16,15) onto the top grove of the pump cylinder (15,14).
18. Thread the foot valve housing (22,21) onto the pump cylinder (15,14), tighten with a strap wrench.
19. **PT12000 DI** - Install the siphon tube (22).

**i It is not necessary to over-tighten the foot valve housing. O-ring seals perform sealing function without excessive tightening. Full thread engagement is sufficient. The foot valve housing may be rotated backward up to 1/2 turn from full engagement for convenient hose position.**

**PT12000 DI - For siphon tube attachment, it is critically important that the threads of the siphon tube fit snugly into the foot valve housing with the tube Tefon taped and sealed to prevent air leakage.**

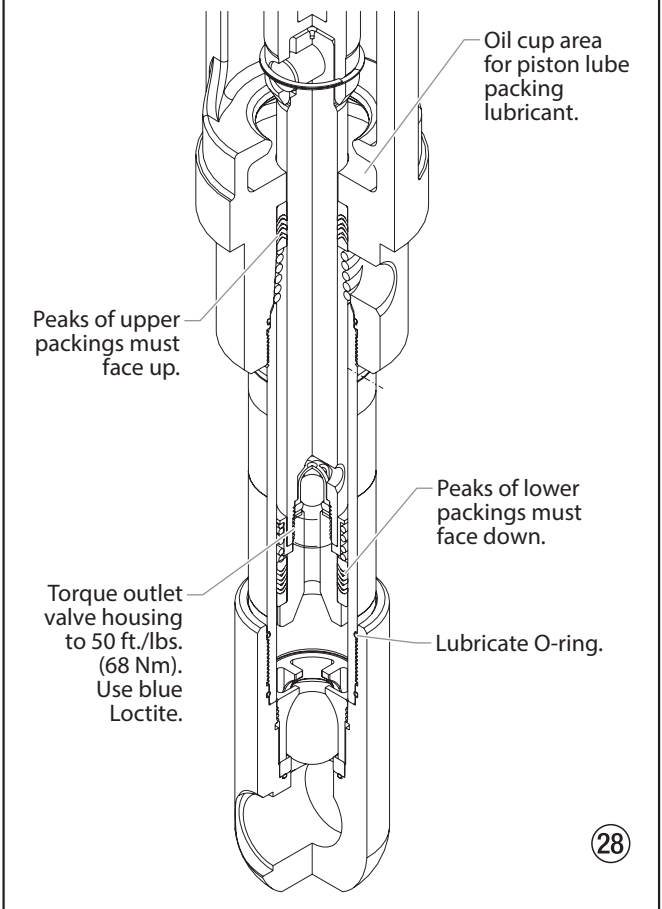
**i All leather packings must be soaked in CoolFlo hydraulic oil for 15–20 minutes before installation. Soaking the packings too long will cause the packings to swell and create difficulty during reassembly.**

7. Inspect the outlet valve seat (11) for wear. If one side is worn, flip the seat to the unused side. If both sides are worn, use a new seat. Insert the outlet valve cage (9) outlet valve ball (10), new or flipped seat (worn side away from ball), and a new seal washer (12) into the displacement rod (6).
8. Clean the threads on the outlet valve housing (13) and coat the threads with blue Loctite #242. Make sure the Loctite is only on the threads.
9. Place the lower packing spring (8) onto the outlet valve housing (13).
10. Screw the displacement rod (6) and the outlet valve housing (13) together. Tighten in a vise to 50 ft./lbs. (68 Nm).
11. Insert the PTFE o-ring (3) into the upper groove of the motor/pump block.
12. Insert the upper packing set (4) into the motor/pump block with the peak of the "V" packings pointing up toward the motor.

**i The packings must be soaked in CoolFlo hydraulic oil before installation.**

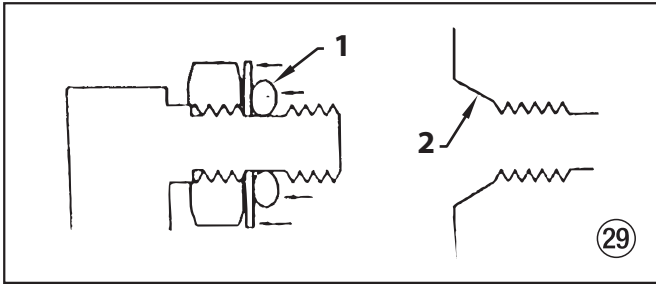
13. Place the upper packing spring (5) into the motor/pump block with the small tapered end facing up toward the motor/pump block.
14. Insert the displacement rod (6) up through the upper packings in the motor/pump block.
15. Align the holes in the displacement rod (6) and the hydraulic piston rod and insert the connecting pin (2). Replace the retaining ring (1) over the connecting pin.

**Fluid Section Cut-Away**

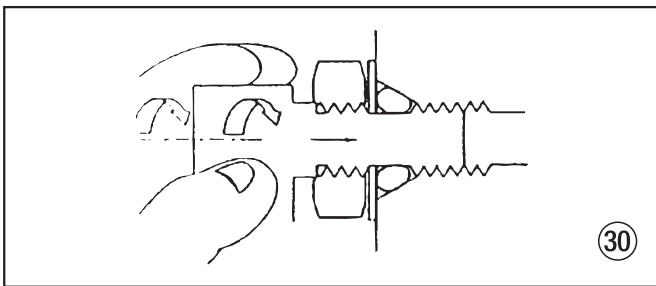


## 2.5 SAE O-Ring Fitting Installation

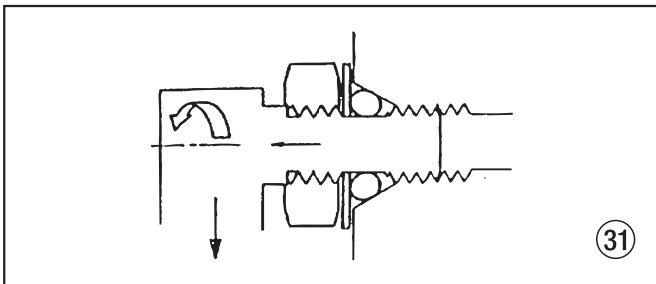
1. Pull washer and o-ring back as far as possible.
2. Lubricate o-ring (1) and entrance port (2).



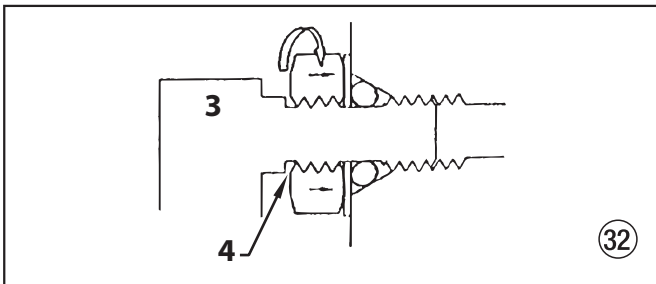
3. Screw fitting in until washer pushes o-ring into entrance and sits flat against port. (Do not tighten! - only do this step hand tight to compress o-ring into port!)



4. Back fitting out no more than one complete turn to align as required.



5. Torque nut wrench tight holding backup on fitting (3). This should expose a recess gap (4) behind the nut which can act as an indicator that the fitting is assembled correctly. (This is a feature for a specific version of this fitting only - which screws into the cylinder head. Other fittings, as the ones which attach to the hydraulic pump, assemble the same but may not have the indicator.)



Attention

**Avoid screwing in the fitting too far. This can cause the washer to bend, which will cause the O-ring to extrude.**

**Avoid leaving the fitting out too far. This can lead to the O-ring being cut on the threads of the fitting.**

### 3. Troubleshooting

#### 3.1 Airless Gun

Problem	Cause	Solution
A. Spitting gun	<ol style="list-style-type: none"> <li>Air in system</li> <li>Dirty gun</li> <li>Needle assembly out of adjustment</li> <li>Broken or chipped seat</li> </ol>	<ol style="list-style-type: none"> <li>Inspect connections for air leaks.</li> <li>Disassemble and clean.</li> <li>Inspect and adjust.</li> <li>Inspect and replace.</li> </ol>
B. Gun will not shut off	<ol style="list-style-type: none"> <li>Worn or broken needle &amp; seat</li> <li>Needle assembly out of adjustment</li> <li>Dirty gun</li> </ol>	<ol style="list-style-type: none"> <li>Replace.</li> <li>Adjust.</li> <li>Clean.</li> </ol>
C. Gun does not spray	<ol style="list-style-type: none"> <li>No paint</li> <li>Plugged filter or tip</li> <li>Broken needle in gun</li> </ol>	<ol style="list-style-type: none"> <li>Check fluid supply.</li> <li>Clean.</li> <li>Replace.</li> </ol>

#### 3.2 Fluid Section

Problem	Cause	Solution
A. Pump delivers on upstroke only or goes up slowly and down fast (commonly called downstroke dive)	<ol style="list-style-type: none"> <li>Lower foot valve ball is not seating due to trash or wear</li> <li>Material too viscous to siphon.</li> <li>Air leaking in on siphon side or damaged siphon hose. Siphon may be too small for heavy material.</li> </ol>	<ol style="list-style-type: none"> <li>Remove foot valve assembly. Clean and inspect. Test foot valve by filling with water; if ball fails to seal the seat, replace ball.</li> <li>Thin material — contact manufacturer for proper thinning procedures.</li> <li>Tighten all connections between pump and paint container. If damaged, replace. Switch to larger diameter siphon set.</li> </ol>
B. Pump delivers on down stroke only or goes up fast and down slowly	<ol style="list-style-type: none"> <li>Upper ball is not seating due to trash or wear</li> <li>Lower packing set is worn</li> </ol>	<ol style="list-style-type: none"> <li>Check upper seat and ball with water. If ball fails to seal, replace seat.</li> <li>Replace packing set if worn.</li> </ol>
C. Pump moves up and down fast, delivering material	<ol style="list-style-type: none"> <li>Material container is empty or material is too thick to flow through siphon hose</li> <li>Bottom ball stuck to foot valve seat</li> <li>Siphon hose is kinked or loose</li> </ol>	<ol style="list-style-type: none"> <li>Refill with new material. If too thick, remove siphon hose, immerse fluid section in material, and start pump to prime. Add thinner to material. Change to bigger siphon set. Open bleed valve to remove air and restart pump.</li> <li>Remove foot valve. Clean ball and seat.</li> <li>Straighten.</li> </ol>
D. Pump moves up and down slowly when spray gun is shut off	<ol style="list-style-type: none"> <li>Loose connections. Bleed valve is open partially or bleed valve is worn. Lower packing seat is worn.</li> <li>Upper and/or lower ball not seating</li> </ol>	<ol style="list-style-type: none"> <li>Check all connections between pump and gun. Tighten as necessary. If material is flowing from bleed hose, close bleed valve or replace, if necessary. Should none of the above be evident, replace lower packing.</li> <li>Reseat balls by cleaning.</li> </ol>
E. Not enough fluid pressure at gun	<ol style="list-style-type: none"> <li>Spray tip is worn</li> <li>Outlet filter or gun filter is clogged</li> <li>Low voltage and/or inadequate amperage</li> <li>Hose size or length is too small or too long</li> </ol>	<ol style="list-style-type: none"> <li>Replace.</li> <li>Clean or replace filter.</li> <li>Check electrical service. Correct as required.</li> <li>Increase hose size to minimize pressure drop through hose and/or reduce hose length.</li> </ol>
F. Pump chatters on up or down stroke	<ol style="list-style-type: none"> <li>Solvent has caused upper packing to swell</li> </ol>	<ol style="list-style-type: none"> <li>Replace packing.</li> </ol>

### 3.3 Hydraulic Motors

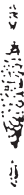
Problem	Cause	Solution
A. Oil motor stalls at bottom (no unusual heat problems)	<ol style="list-style-type: none"> <li>1. Fluid pump piston seat unthreaded</li> <li>2. Valve sticking or oil motor trip rod shifter assembly separated</li> </ol>	<ol style="list-style-type: none"> <li>1. If connecting rod is okay, remove cylinder head plug and pop valve down. Replace plug and start machine. If machine cycles up and stops at bottom again, then problem is piston seat on fluid pump. Check piston seat. Repair or replace as necessary. If piston seat is okay and problem does not change, check oil motor.</li> <li>2. Remove valve and check for scratches and rough movement when sliding it up and down. Replace valve and spool in this condition. Check trip rod for possible separation and spool in this condition. Check trip rod for possible separation.</li> </ol>
B. Oil motor stalls at top (no unusual heat problems)	<ol style="list-style-type: none"> <li>1. Valve sticking</li> <li>2. Broken spring retainer (valve rod assembly)</li> <li>3. Broken spring or valve rod</li> <li>4. Air in hydraulic motor</li> <li>5. Air in fluid pump</li> </ol>	<ol style="list-style-type: none"> <li>1. Remove valve and check for scratches and rough movement when sliding it up and down. Replace valve and spool in this condition.</li> <li>2. Replace valve rod assembly.</li> <li>3. Replace valve rod assembly.</li> <li>4. Reset valve. Purge Air, generally accomplished by low pressure cycling of motor/pump assembly for 5–10 minutes. Check for causes of air introduction: <ul style="list-style-type: none"> <li>• Loose fittings in tank.</li> <li>• Loose fittings on hydraulic pump.</li> <li>• Loose hose connections.</li> <li>• Low oil in reservoir.</li> </ul> </li> <li>5. Stall at top can occur randomly when fluid pump picks up air. Reset valve. Avoid air in the fluid pump.</li> </ol>
C. Low pressure (okay on down stroke, sluggish on up.stroke — high heat)	<ol style="list-style-type: none"> <li>1. Blown piston seal</li> <li>2. Cracked piston</li> </ol>	<ol style="list-style-type: none"> <li>1. Before dismantling oil motor, start machine. With pump cycling under pressure, touch the hydraulic cylinder and the head to see if cylinder or head gets hotter. This will help determine if piston seal is blown or piston nut is broken. If heat is on the head, check the o-rings on spool valve.</li> <li>2. Dismantle oil motor and check piston seals cylinder bore and piston nut. Pay special attention to piston nut. It can be cracked and not show externally.</li> </ol>
Note: Engine labors on upstroke, idles back at stall on the down stroke.		
D. Low pressure (both strokes - high heat)	<ol style="list-style-type: none"> <li>1. Blown center o-rings on spool valve</li> <li>2. Bad hydraulic pump</li> </ol>	<ol style="list-style-type: none"> <li>1. Before dismantling oil motor, start machine. With pump cycling under pressure, touch the head to see if the head becomes hotter. This will help determine if center o-ring is blown on spool valve. If hot, remove and replace o-ring.</li> <li>2. Replace hydraulic pump.</li> </ol>
Note: Engine labors at stall on both strokes.		



### 3.4 Spray Patterns

**Problem**

A. Tails



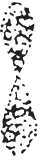
**Cause**

1. Inadequate fluid delivery

**Solution**

1. Fluid not atomizing correctly: Increase fluid pressure. Change to smaller tip orifice size. Reduce fluid viscosity. Reduce hose length. Clean gun and filter(s). Reduce number of guns using pump.

B. Hour glass



1. Inadequate fluid delivery

1. Same as above.

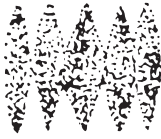
C. Distorted



1. Plugged or worn nozzle tip

1. Clean or replace nozzle tip.

D. Pattern expanding and contracting (surge)



1. Suction leak
2. Pulsating fluid delivery

1. Inspect for suction hose leak.
2. Change to a smaller tip orifice size. Install pulsation dampener in system or drain existing one. Reduce number of guns using pump. Remove restrictions in system; clean tip screen if filter is used.

E. Round pattern



1. Worn tip
2. Fluid too heavy for tip

1. Replace tip.
2. Increase pressure. Thin material. Change nozzle tip.

# Warnung!

**Achtung: Verletzungsgefahr durch Injektion!  
Airless-Geräte entwickeln extrem hohe Spritzdrücke.**



**1**

**Niemals Finger, Hände oder andere Körperteile mit dem Spritzstrahl in Berührung bringen!**

**Nie die Spritzpistole auf sich, Personen und Tiere richten.**

**Nie die Spritzpistole ohne Spritzstrahl-Berührungsschutz benutzen.**

**Behandeln Sie eine Spritzverletzung nicht als harmlose Schnittverletzung. Bei einer Hautverletzung durch Beschichtungsstoff oder Lösemittel sofort einen Arzt aufsuchen zur schnellen, fachkundigen Behandlung. Informieren Sie den Arzt über den verwendeten Beschichtungsstoff oder das Lösemittel.**

**2**

**Vor jeder Inbetriebnahme sind gemäß Betriebsanleitung folgende Punkte zu beachten:**

1. Fehlerhafte Geräte dürfen nicht benutzt werden.
2. Titan-Spritzpistole sichern mit Sicherungshebel am Abzugsbügel.
3. Erdung sicherstellen.
4. Zulässigen Betriebsdruck von Hochdruckschlauch und Spritzpistole überprüfen.
5. Alle Verbindungsteile auf Dichtheit prüfen.

**3**

**Anweisungen zur regelmäßigen Reinigung und Wartung des Gerätes sind streng einzuhalten.**

**Vor allen Arbeiten am Gerät und bei jeder Arbeitspause folgende Regeln beachten:**

1. Spritzpistole und Hochdruckschlauch druckentlasten.
2. Titan-Spritzpistole sichern mit Sicherungshebel am Abzugsbügel.
3. Gerät ausschalten.

# Achte auf Sicherheit!

**Inhalt**

	Seite
<b>1. Sicherheitsvorschriften für das Airless-Spritzen</b> .....	17
1.1 Erklärung der verwendeten Symbole.....	17
1.2 Elektrische Sicherheit.....	18
1.3 Benzinmotoren-Betriebssicherheit.....	19
1.4 Betanken (Benzinmotor).....	20
1.5 Aufstellung in unebenem Gelände.....	20
<b>2. Reparaturen am gerät</b> .....	21
2.1 Auswechseln der Motorbürsten (120 V elektrischer Motor).....	21
2.2 Auswechseln des Riemens.....	22
2.3 Wartung des Hydraulikmotors .....	24
2.4 Unterhalt des Flüssigkeitsbereiches.....	26
2.5 Montageanleitung zum SAE O-Ring .....	28
<b>7. Fehlerbehebung</b> .....	29
7.1 Airless-Spritzpistole.....	29
7.2 Flüssigkeitsbereich .....	29
7.3 Hydraulikmotor .....	30
7.4 Spritzmuster .....	31
<b>Zubehör und Ersatzteile</b> .....	48
Ersatzteilliste Hauptbaugruppe .....	48/49
Ersatzteilliste Wagen .....	50/51
Ersatzteilliste Hydrauliksystem.....	52/53
Ersatzteilliste Hydraulikmotor .....	54/55
Ersatzteilliste Flüssigkeitsbereich .....	56/57
Ersatzteilliste Convertokit, Elektromotor (120V) .....	58
Ersatzteilliste Convertokit, Elektromotor (400V) .....	59
Ersatzteilliste Convertokit, Elektromotor (230V) .....	60/61
Ersatzteilliste Convertokit, Benzinmotor .....	62
Ersatzteilliste Hochdruckfilter .....	63
Ersatzteilliste Keilriemenbaugruppe .....	64
Ersatzteilliste Ablassventilbaugruppe .....	65
Ersatzteilliste Ablassventilbaugruppe, schwere Anstrichen.....	66
<b>Schaltplan (230V)</b> .....	68
<b>Schaltplan (400V)</b> .....	69
<b>Zubehör für PT-Geräte</b> .....	70
Pistolenmehrfachanschluss (Optional) .....	72
<b>Garantie</b> .....	74

**1. Sicherheitsvorschriften für das Airless-Spritzen**

**1.1 Erklärung der verwendeten Symbole**

Diese Bedienanleitung enthält Informationen, die der Benutzer vor Verwendung des Geräts gründlich durcharbeiten muss. In Bereichen, die mit den folgenden Symbolen gekennzeichnet sind, besonders vorsichtig arbeiten und alle Sicherheitshinweise beachten.

	<b>Dieses Symbol verweist auf eine potenzielle Gefahr, die zum Tode oder zu schweren Verletzungen führen kann. Hier finden Sie wichtige Sicherheitsinformationen.</b>
	<b>Dieses Symbol weist auf eine potenzielle Gefahr für Sie bzw. das Gerät hin. Unter diesem Symbol finden Sie wichtige Informationen, wie Sie Schäden an dem Gerät und Verletzungsgefahr vermeiden.</b>
	<b>Injektionsgefahr</b>
	<b>Brandgefahr durch Lösemittel und Farbdämpfe</b>
	<b>Explosionsgefahr durch Lösemittel, Farbdämpfe und ungeeignete Materialien</b>
	<b>Verletzungsgefahr durch das Einatmen von schädlichen Dämpfen</b>
	<b>Hinweise enthalten wichtige Informationen, die beachtet werden sollten.</b>



**GEFAHR: Verletzung durch Flüssigkeiten unter Druck**

Eine unter hohem Druck stehende Flüssigkeit, wie sie von diesem Gerät erzeugt wird, kann die Haut durchdringen und in das darunter liegende Bindegewebe eindringen und so zu schweren Verletzungen und selbst zur Amputation führen. **Behandeln Sie eine Spritzverletzung nicht als harmlose Schnittverletzung. Bei einer Hautverletzung durch Beschichtungsstoff oder Lösemittel sofort einen Arzt aufsuchen zur schnellen, fachkundigen Behandlung. Informieren Sie den Arzt über den verwendeten Beschichtungsstoff oder das Lösemittel.**

**VORSICHTSMASSNAHMEN:**

- NIEMALS die Spritzpistole auf Körperteile halten.
- NIEMALS mit Körperteilen den Flüssigkeitsstrahl berühren. NIEMALS mit dem Körper eine Leckstelle im Druckschlauch berühren.
- NIEMALS die Hand vor die Düse der Spritzpistole halten. Handschuhe stellen keinen sicheren Schutz vor Verletzungen durch injizierte Flüssigkeiten dar.
- STETS den Auslöser der Spritzpistole verriegeln, die Pumpe ausschalten und den Druck vollständig entspannen, bevor Wartungs- und Reinigungsarbeiten, Durchsichten, Düsenwechsel oder ähnliche Arbeiten durchgeführt werden oder das Gerät unbeaufsichtigt gelassen wird. Auch nach dem Ausschalten des Motors steht das Gerät noch unter Druck. Das Ventil PRIME/SPRAY (Vorfüll-/Sprühventil) bzw.

## Sicherheitsvorschriften

- das Druckentlastungsventil müssen in ihren Sollpositionen stehen, um den Systemdruck zu entspannen.
- STETS den Düsenschutz aufsetzen, wenn Spritzarbeiten durchgeführt werden. Der Düsenschutz stellt einen gewissen Schutz dar, ist aber vor allem als Warnvorrichtung gedacht.
- STETS die Spritzdüse entfernen, bevor das System gereinigt oder gespült wird.
- NIEMALS eine Spritzpistole ohne funktionsfähige Auslöserverriegelung und ohne Auslöserbügel verwenden.
- Das gesamte Zubehör muss mindestens für den maximalen Betriebsdruckbereich des Spritzgeräts zugelassen sein. Dazu gehören Spritzdüsen, Spritzpistolen, Verlängerungen und Schlauch.

**GEFAHR: Hochdruckschlauch**

**Durch Verschleiß, Knicken und nicht zweckentsprechende Verwendung können sich Leckstellen im Farbschlauch bilden. Durch eine Leckstelle kann Flüssigkeit in die Haut injiziert werden. Vor Verwendung den Schlauch gründlich prüfen.**

**VORSICHTSMASSNAHMEN:**

- Scharfes Biegen oder Knicken des Hochdruckschlauches vermeiden, kleinster Biegeradius etwa 20 cm.
- Hochdruckschlauch nicht überfahren, sowie vor scharfen Gegenständen und Kanten schützen.
- Beschädigten Hochdruckschlauch sofort ersetzen.
- Niemals defekten Hochdruckschlauch selbst reparieren!
- Elektrostatische Aufladung von Spritzpistole und Hochdruckschlauch wird über den Hochdruckschlauch abgeleitet. Deshalb muss der elektrische Widerstand zwischen den Anschlüssen des Hochdruckschlauchs gleich oder kleiner ein Megaohm betragen.
- Aus Gründen der Funktion, Sicherheit und Lebensdauer, nur Titan-Original-Ersatzhochdruckschläuche verwenden.
- Vor jedem Einsatz alle Schläuche auf Einschnitte, Leckstellen, Scheuerstellen oder gewölbte Oberflächen kontrollieren. Die Kupplungen auf Unversehrtheit und festen Sitz kontrollieren. Schläuche unverzüglich ersetzen, wenn einer der oben genannten Fehler festgestellt wird. Einen Farbschlauch niemals reparieren. Einen defekten Schlauch durch einen geerdeten Hochdruckschlauch ersetzen.
- Achten Sie darauf, Spritzschläuche so zu verlegen, dass die Rutsch-, Stolper-, und Umfallgefahr minimiert wird.

**GEFAHR: Explosions- und Brandgefahr**

**Brennbare Dämpfe, wie z. B. Dämpfe von Lösungsmitteln und Farben können sich in den Arbeitsbereichen entzünden oder explodieren.**

**VORSICHTSMASSNAHMEN:**

- Verwenden Sie das Gerät ausschließlich in gut belüfteten Bereichen. Achten Sie auf ausreichende Frischluftzufuhr im gesamten Bereich, damit sich keine brennbaren Dämpfe in der Luft im Spritzbereich ansammeln können. Bewahren Sie die Pumpenbaugruppe in einem gut belüfteten Bereich auf. Besprühen Sie nicht die Pumpenbaugruppe.
- Nur elektronische Modelle - Verwenden Sie keine Materialien mit einem Flammpunkt unter 38°C (100°F). Der Flammpunkt ist die Temperatur, bei der eine Flüssigkeit ausreichend Dämpfe entwickeln kann, dass sich diese entzünden.
- Nur Modelle mit Benzin - Befüllen Sie den Treibstofftank nicht, wenn der Motor läuft oder heiß ist; schalten Sie den Motor ab und lassen diesen abkühlen. Der Treibstoff ist brennbar und kann sich entzünden bzw. explodieren, wenn dieser mit einer heißen Oberfläche in Berührung kommt.

- Beseitigen Sie alle Zündquellen, wie z. B. Zündflammen, Zigaretten, tragbare elektrische Lampen und Plastikabdeckplanen (potenzieller elektrostatischer Lichtbogen).
- Halten Sie die Arbeitsbereiche frei von Verunreinigungen, einschließlich Lösungsmittel, Lappen und Benzin.
- Schließen Sie die Elektrozuleitungen nicht bzw. trennen diese nicht ab bzw. schalten Sie die Netzschalter bzw. Lichtschalter nicht ein bzw. aus, wenn sich brennbare Dämpfe entwickelt haben.
- Schutzleiter und leitfähige Gegenstände im Arbeitsbereich. Achten Sie darauf, dass die Erdleitung (in der Lieferung nicht enthalten) von der Erdungsklemme mit einem wirksamen Erdungsanschluss verbunden ist.
- Verwenden Sie ausschließlich geerdete Schläuche.
- Halten Sie die Spritzpistole fest an die Seite eines geerdeten Eimers, wenn Sie in den Eimer spritzen.
- Kommt es durch statische Aufladung zu Funkenbildung bzw. wenn Sie einen Stromschlag verspüren, brechen Sie den Vorgang umgehend ab.
- Sie müssen die Zusammensetzung der Farben und Lösungsmittel, die Sie spritzen möchten, kennen. Lesen Sie alle Material Sicherheitsdatenblätter (MSDS) und Behälterbeschriftungen von Farben und Lösungsmitteln durch. Befolgen Sie die Sicherheitsanweisungen des Farben- und Lösungsmittelherstellers.
- Verwenden Sie keine Farben bzw. Lösungsmittel, die Halogenkohlenwasserstoffe enthalten, wie z. B. Chlor, Bleiche, Antischimmelmittel, Methylenchlorid und Trichlorethan. Sie sind nicht kompatibel mit Aluminium. Setzen Sie sich mit dem Lieferanten der Beschichtung hinsichtlich der Kompatibilität des Materials mit Aluminium in Verbindung.
- Halten Sie im Arbeitsbereich einen Feuerlöscher bereit.

**GEFAHR: Gefährliche Dämpfe**

**Farben, Lösungsmittel und andere Materialien können beim Einatmen oder beim Kontakt mit dem Körper gesundheitsschädlich sein. Die Dämpfe können schwere Übelkeit, Ohnmacht und Vergiftungen verursachen.**

**VORSICHTSMASSNAHMEN :**

- Bei Spritzarbeiten Atemschutz tragen. Alle mit der Gesichtsmaske mitgelieferten Anleitungen durcharbeiten, damit die Gesichtsmaske auch den gewünschten Schutz bietet.
- Dem Benutzer ist eine Atemschutzmaske zur Verfügung zu stellen (Berufs-Genossenschaftliche Regeln „Regeln für den Einsatz von Atemschutzgeräten“ (BGR 190).
- Arbeitsschutzbrille tragen.
- Zum Schutz der Haut sind Schutzkleidung, Handschuhe und eventuell Hautschutzcreme erforderlich (BGR 197 "Benutzung von Hautschutz"). Vorschriften der Hersteller beachten zu den Beschichtungsstoffen, Lösemittel und Reinigungsmittel bei Aufbereitung, Verarbeitung und Gerätereinigung.

**GEFAHR: Allgemeines**

**Kann schwere Personen- oder Sachschäden verursachen.**

**VORSICHTSMASSNAHMEN :**

- Alle lokalen sowie im Land bzw. Bundesland geltenden Vorschriften zum Brandschutz, zur Bedienung und Lüftung einhalten.
- Bei Betätigung des Auslösers zieht die Spritzpistole zur Seite. Diese Kraftwirkung der Spritzpistole ist besonders stark, wenn die Düse entfernt und bei der Pumpe hoher Druck eingestellt wurde. Bei der Reinigung mit abgeschraubter Düse daher den Druckreglerknopf auf den niedrigsten Druck einstellen.

- Nur vom Hersteller zugelassene Teile verwenden. Bei Verwendung von Teilen, die nicht die technischen Mindestanforderungen erfüllen, trägt der Benutzer alle Risiken und die gesamte Haftung. Dies gilt auch für die Sicherheitsvorrichtungen der Pumpe.
- IMMER die Hinweise des Herstellers zum sicheren Umgang mit Farben und Lösungsmitteln einhalten.
- Verschüttete Materialien und Lösemitteln sofort aufwischen, um Rutschgefahr zu vermeiden.
- Gehörschutz tragen. Dieses Gerät kann einen Schalldruck über 85 dB(A) erzeugen.
- Das Gerät niemals unbeaufsichtigt lassen. Kinder oder andere Personen, die mit dem Betrieb des druckluftlosen Spritzgeräts nicht vertraut sind, von dem Gerät fern halten.
- An windigen Tagen nicht im Freien spritzen.
- Das Gerät inklusive aller Flüssigkeiten (z.B. Hydrauliköl) müssen umweltgerecht entsorgt werden.

## 1.2 Elektrische Sicherheit

Elektrogeräte müssen geerdet werden. Bei einem elektrischen Kurzschluss reduziert die Erdung die Gefahr eines elektrischen Schlages, da der Fehlerstrom über den Schutzleiter abgeführt wird. Dieses Gerät ist mit einem Netzkabel versehen, das einen Schutzkontaktstecker besitzt. Anschluss an das Stromnetz nur über einen besonderen Speisepunkt z. B. über eine Fehlerstromschutzeinrichtung mit  $INF \leq 30$  mA.



**GEFAHR — Arbeiten oder Reparaturen an der elektrischen Ausrüstung nur von einer Elektrofachkraft durchführen lassen. Für unsachgemäße Installation wird keine Haftung übernommen. Gerät ausschalten. Vor allen Reparaturen – Netzstecker aus der Steckdose ziehen.**

Gerätereinigung: Kurzschlussgefahr durch eindringendes Wasser in die elektrische Ausrüstung. Gerät niemals mit Hochdruck- oder Dampfhochdruckreiniger abspritzen.

### Arbeiten oder Reparaturen an der elektrischen Ausrüstung:

Diese nur von einer Elektrofachkraft durchführen lassen. Für unsachgemäße Installation wird keine Haftung übernommen.

### Betriebstemperatur

Dieses Gerät funktioniert einwandfrei in seiner für ihn vorgesehen Raumtemperatur zwischen  $+10^{\circ}\text{C}$  und  $+40^{\circ}\text{C}$ .

### Relative Feuchtigkeit

Das Gerät funktioniert in einem Umfeld mit einer relativen Feuchtigkeit von 50%, bei  $+40^{\circ}\text{C}$  einwandfrei. Eine höhere relative Feuchtigkeit stellt bei niedrigeren Temperaturen kein Problem dar.

Der Käufer des Geräts muss Maßnahmen ergreifen, um die schädigenden Auswirkungen der gelegentlichen Kondensation zu vermeiden.

### Höhe

Dieses Gerät funktioniert in einer Höhe von bis zu 2100m über n.n. einwandfrei.

### Transport und Aufbewahrung

Dieses Gerät hält Transport- bzw. Aufbewahrungstemperaturen von  $-25^{\circ}\text{C}$  bis  $+55^{\circ}\text{C}$ , kurzzeitig auch bis zu  $+70^{\circ}\text{C}$ , stand bzw. ist dagegen geschützt.

Es wurde so verpackt, dass es Beschädigungen durch die Auswirkungen von normaler Feuchtigkeit, Erschütterungen und Stößen standhält.

## 1.3 Benzinmotoren-Betriebsicherheit

1. Benzinmotoren sind so gebaut, dass sie sicher und verlässlich funktionieren, wenn sie gemäss der Instruktionen bedient werden. Vor der Bedienung des Motos muss das Besitzerhandbuch des Herstellers gelesen und verstanden werden. Bei Unterlassung kann Personenverletzung oder Materialschaden entstehen.
2. Um Feuergefahr zu vermeiden und genügend Ventilation zu erlauben, muss der Motor mindestens 1 Meter von Gebäuden und anderen Maschinen entfernt sein wenn er in Betrieb ist. Keine brennbaren Gegenstände in der Nähe des Motors aufbewahren.
3. Personen, die das Gerät nicht bedienen, dürfen den Betriebsbereich nicht betreten, da die Möglichkeit besteht Verbrennungen von heissen Motorenteilen oder Verletzungen durch Geräte, die zur Bedienung des Motors benutzt werden, zu erleiden.
4. Seien Sie vertraut damit, wie Sie den Motor schnell abstellen können und wissen Sie Bescheid über alle Bedienungselemente und deren Handhabung. Erlauben Sie niemandem, den Motor ohne sachgerechte Anleitung zu bedienen.
5. Benzin ist äusserst flammbar und unter bestimmten Bedingungen explosiv.
6. Tanken Sie Benzin nur in einem gut durchlüfteten Bereich nach, nachdem der Motor abgestellt wurde. Rauchen Sie nicht und erlauben Sie keine Flammen oder Funken im Bereich in welchem aufgetankt wird oder Benzin aufbewahrt wird.
7. Ueberfüllen Sie den Benzintank nicht. Nach dem Auftanken, vergewissern Sie sich, dass die Tankverschlusskappe richtig und sicher aufgeschraubt ist.
8. Seien Sie darauf bedacht, beim Auftanken kein Benzin zu verschütten. Benzindämpfe oder verschüttetes Benzin könnte sich entflammen. Falls Benzin verschüttet wurde, vergewissern Sie sich, dass der Bereich trocken ist, bevor Sie den Motor starten.
9. Lassen Sie den Motor nie in einem geschlossenen oder engen Bereich laufen. Abgase enthalten giftige Kohlenmonoxidgase; diesen ausgesetzt läuft man Gefahr das Bewusstsein zu verlieren und es kann soogar zu Tod führen.
10. Der Auspuff wird während des Laufens des Motors sehr heiss und bleibt nach abstellen des Motors noch für eine Weile heiss. Seien Sie darauf Bedacht, den Auspuff nicht zu berühren, solange er noch heiss ist. Um schwere Verbrennungen oder Feuergefahr zu vermeiden, lassen Sie den Motor abkühlen, bevor Sie ihn transportieren oder in einem Innenraum aufbewahren.
11. Verschiffen oder transportieren Sie die Sprühanlage niemals mit Benzin im Tank.



**Benutzen Sie diese Anlage NICHT um Wasser oder Säuren zu spritzen.**



**Achtung**

**Beim Auf- oder Abladen, nicht an der Deichsel halten.**

**Gerät ist sehr schwer. Muss von drei Personen getragen werden.**

## 1.4 Betanken (Benzinmotor)



**Benzin ist äußerst entflammbar und unter bestimmten Bedingungen sogar explosiv.**



**Achtung**

**Überfüllen Sie nicht den Benzintank. Durch Überfüllen kann die Kappe des Benzintanks durch Partikel im Benzin verstopfen, wodurch ein Vakuum verursacht werden kann. Die Anweisungen zum Befüllen mit Kraftstoff entnehmen Sie der Bedienungsanleitung des Motors.**

### Technische Angaben zum Treibstoff

- Verwenden Sie Benzin mit einer Mindest-Oktananzahl von 86 oder mit einer Mindest-Research-Oktananzahl von 91. Die Verwendung eines Treibstoffes mit einer geringeren Oktananzahl kann zu ständigem "Motorklopfen" oder starkem "Klopfen" (ein metallisches klopfendes Geräusch) führen, das zu einem Motorschaden führen kann, wenn dieser zu stark ist.



**Wechseln Sie die Treibstoffmarke, wenn das "Klopfen" oder "Motorklopfen" bei einer stetigen Motorgeschwindigkeit unter normaler Belastung auftritt. Bleibt das Klopfen bzw. Motorklopfen, setzen Sie sich mit einem autorisierten Händler des Motorherstellers in Verbindung. Bei Nichteinhaltung gilt dies als Fehlgebrauch und Schäden durch Fehlgebrauch sind nicht durch die Herstellergarantie gedeckt.**

**Gelegentlich entsteht ein leichtes Klopfen, wenn das Gerät stark belastet wird. Das ist kein Grund zur Beunruhigung. Dies bedeutet nur, dass der Motor effizient funktioniert.**

- Bleifreier Treibstoff verursacht weniger Ablagerungen im Motor und in den Zündkerzen und verlängert die Lebensdauer der Komponenten des Abgassystems.
- Verwenden Sie niemals abgestandenes oder verschmutztes Benzin und/oder ein Öl-/Benzingemisch. Vermeiden Sie, dass Schmutz, Staub oder Wasser in den Treibstofftank gelangen.

### Kraftstoff aus Benzin-Alkohol-Gemisch

Wenn Sie sich für einen Kraftstoff aus einem Benzin-Alkohol-Gemisch (Gasohol) entscheiden, müssen Sie darauf achten, dass dessen Oktananzahl mindestens so hoch ist, wie diese vom Motorenhersteller empfohlen wird. Es gibt zwei Arten von Benzin-Alkohol-Gemisch: die eine enthält Ethanol und die andere Methanol. Verwenden Sie kein Gasohol, das mehr als 10 % Ethanol enthält. Verwenden Sie kein Benzin-Methanol-Gemisch (Methyl oder Holzalkohol), das keine Zusatzlösungsmittel und Korrosionshemmstoffe für Methanol enthält. Verwenden Sie niemals Benzin, das mehr als 5 % Methanol enthält, auch dann nicht, wenn es Zusatzlösungsmittel und Korrosionshemmstoffe enthält.

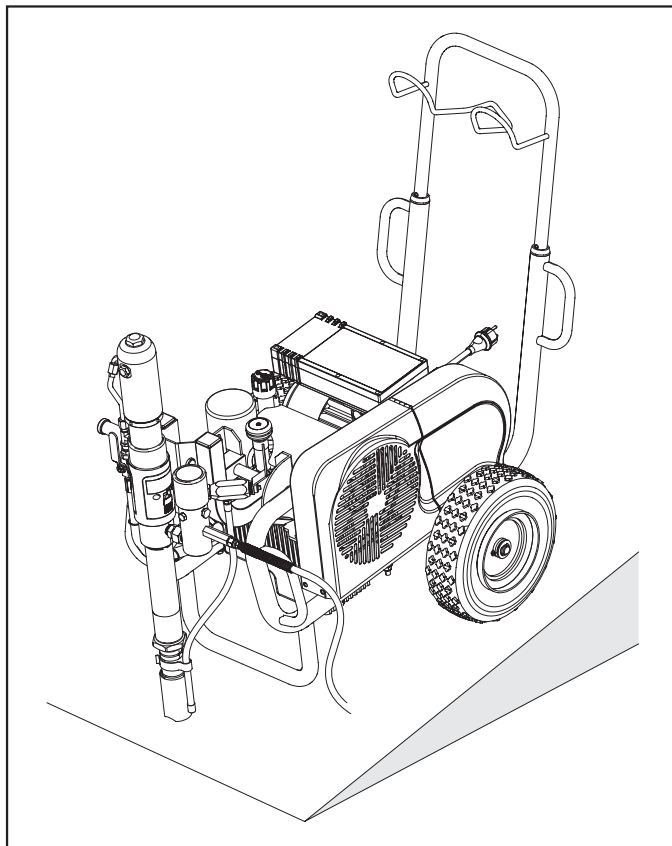


**Eine Beschädigung des Treibstoffsystems bzw. Probleme mit der Motorenleistung, die aus der Verwendung von Treibstoff resultieren, der Alkohol enthält, werden von der Gewährleistung nicht gedeckt. Der Motorenhersteller kann nicht die Verwendung von Treibstoffen befürworten, die Methanol enthalten, das es noch nicht als erwiesen gilt, dass sich diese hierfür eignen.**

**Versuchen Sie herauszufinden, ob das Benzin Alkohol enthält, bevor Sie Benzin von einer Ihnen unbekanntem Tankstelle beschaffen. Falls dieses Alkohol enthält, überprüfen Sie die Art und den Anteil des verwendeten Alkohols. Stellen Sie bei der Verwendung von alkoholhaltigem Benzin bzw. von dem Sie annehmen, dass es Alkohol enthält, unerwünschtes Betriebsverhalten fest, stellen Sie auf ein Benzin um, von dem Sie wissen, dass es kein Alkohol enthält.**

## 1.5 Aufstellung in unebenem Gelände

Die Vorderseite des Geräts muss nach unten zeigen, um Wegrutschen zu vermeiden.



## 2. Reparaturen am gerät



**Führen Sie auf jeden Fall das Druckentlastungsverfahren durch, siehe Abschnitt 4.6 der Bedienungsanleitung, bevor Sie Reparaturarbeiten durchführen. Dazu befolgen Sie alle anderen Warnungen, um das Risiko einer Injektionsverletzung, Verletzungen verursacht durch bewegende Teile oder Elektroschock zu vermeiden. Vor der Wartung, das Spritzgerät abstellen!**

### 2.1 Auswechseln der Motorbürsten (120 V elektrischer Motor)

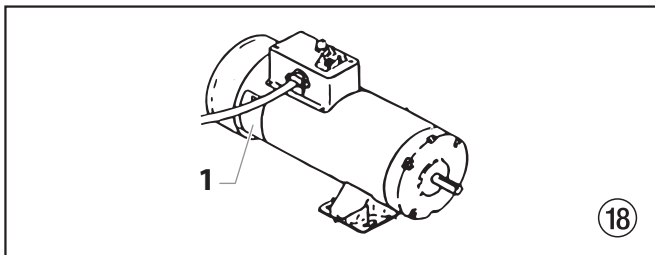
Der 120 V elektrische Convertokit ist separat erhältlich.

Führen Sie diesen Vorgang unter Verwendung des Motorbürsten-Kits P/N 978-050 durch. Der Kit besteht aus zwei Bürsten, zwei Federn und zwei Bügeln.

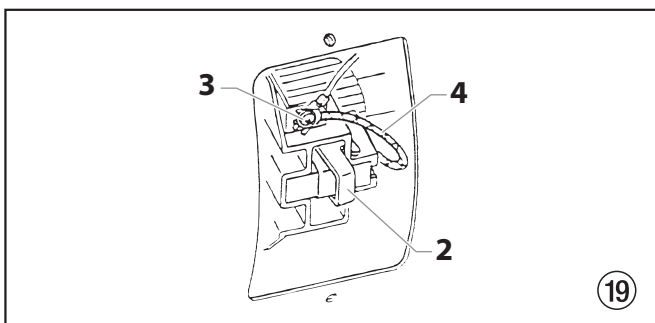


**Die Bürsten sollten ausgetauscht werden, wenn diese verschlissen und weniger als 1,27 cm breit sind. Überprüfen und tauschen Sie beide Bürsten gleichzeitig aus.**

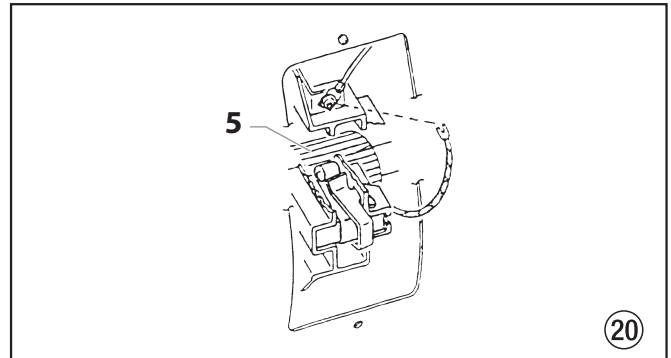
1. Entfernen Sie beide Inspektionsabdeckungen (1) auf dem Motor.



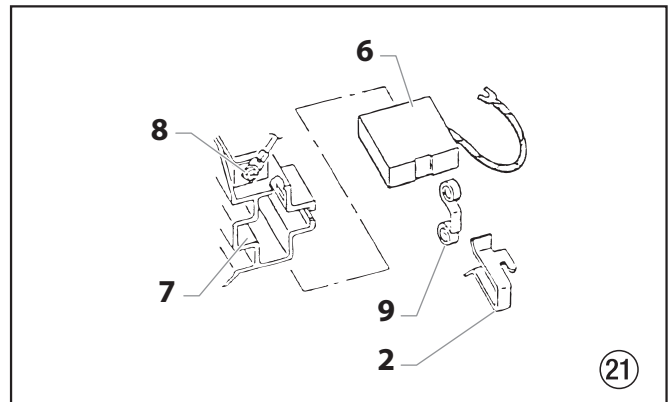
2. Drücken Sie die Klemmfeder (2) rein, um diese loszuhaken und ziehen Sie diese dann heraus.
3. Lösen Sie die Anschlusschraube (3). Ziehen Sie die Bürstenführung (4) weg, lassen Sie jedoch die Motorleitung an seinem Platz. Entfernen Sie die Bürste und Feder.



4. Überprüfen Sie den Stromwender (5) auf Verbrennungen, extremen Lochfraß oder Rillen. Eine schwarze Färbung im Stromwender ist normal.



5. Montieren Sie die neue Bürste (6), sodass deren Führungsschienen sich in der langen Rille des Bürstenhalters befinden (7). Drücken Sie die Anschlusschraube unter die Unterlegscheibe der Anschlusschraube (8). Achten Sie darauf, dass die Motorführung immer noch mit der Schraube verbunden ist. Ziehen Sie die Schraube fest.
6. Positionieren Sie die Feder (9) wie oben dargestellt auf die Bürste (6). Schieben Sie die Klemmfeder (2) rein und haken diese fest. Wiederholen Sie diesen Vorgang auch auf der anderen Seite.



7. Setzen Sie die beiden Abdeckungen wieder ein.



**Schalten Sie den Motor UMGEHEND aus, wenn der elektrische Motor überlastet wird und dieser stoppt, und führen das Druckentlastungsverfahren in Abschnitt über Reinigung in diesem Handbuch durch. Warten Sie, bis der Motor abkühlt (etwa 30 Minuten). Schieben Sie anschließend die Kunststoffhülle rein, betätigen den manuellen Reset-Knopf, starten den Motor und erzeugen Druck im System.**

## 2.2 Auswechseln des Riemens (Abb. 22)



**Achten Sie darauf, dass Sie das "Druckentlastungsverfahren", wie in dem Abschnitt "Betrieb" in diesem Handbuch dargelegt ist, durchgeführt haben, bevor Sie den Riemen in Ihrer Maschine wechseln. VERSUCHEN SIE NICHT diese Instandsetzung durchzuführen, während die Maschine läuft.**



**Die unteren Abbildungen zeigen eine Maschine mit einem Benzinmotor. Alle Anweisungen in diesem Abschnitt gelten sowohl für Benzin- als auch elektrische Motoren, wenn nicht anders darauf hingewiesen wird.**

1. Lösen Sie den Knopf (1) auf der Vorderseite des Riemenschutzes. Öffnen Sie die Vorderseite des Riemenschutzes (2), sodass das vordere Ende des Riemens (3) freiliegt.
2. Heben Sie sanft das vordere Ende des Benzinmotors/elektrischen Motors an. Dadurch wird die Spannung auf dem Riemen gelöst und dieser kann leichter entfernt werden.



**GEFAHR DES EINQUETSCHENS. Achten Sie darauf, dass Ihre Finger nicht in die Befestigungsplatte des Benzinmotors/elektrischen Motors eingequetscht werden.**

**VERBRENNUNGSGEFAHR. Lassen Sie den Benzinmotor ausreichend abkühlen, bevor Sie es berühren.**

3. Entfernen Sie den Riemen von der vorderen und hinteren Riemenscheibe während der Benzinmotor/elektrische Motor angehoben ist.
4. Montieren Sie den neuen Riemen:
  - a. Setzen Sie den Riemen in den festen Bereich des Riemenschutzes (6) ein. Führen Sie den Riemen um die hintere Riemenscheibe (5) bis der Riemen in der Riemenscheibennut an der richtigen Position sitzt.
  - b. Heben Sie vorsichtig das vordere Ende des Benzinmotors/elektrischen Motors an.
  - c. Führen Sie das andere Ende des Riemens um die vordere Riemenscheibe (4), während der Motor angehoben ist.
  - d. Lassen Sie den Benzinmotor/elektrischen Motor vorsichtig nach unten. Das Gewicht des Benzinmotors/elektrischen Motors erzeugt Spannung im Riemen und verhindert, dass sich dieser löst.

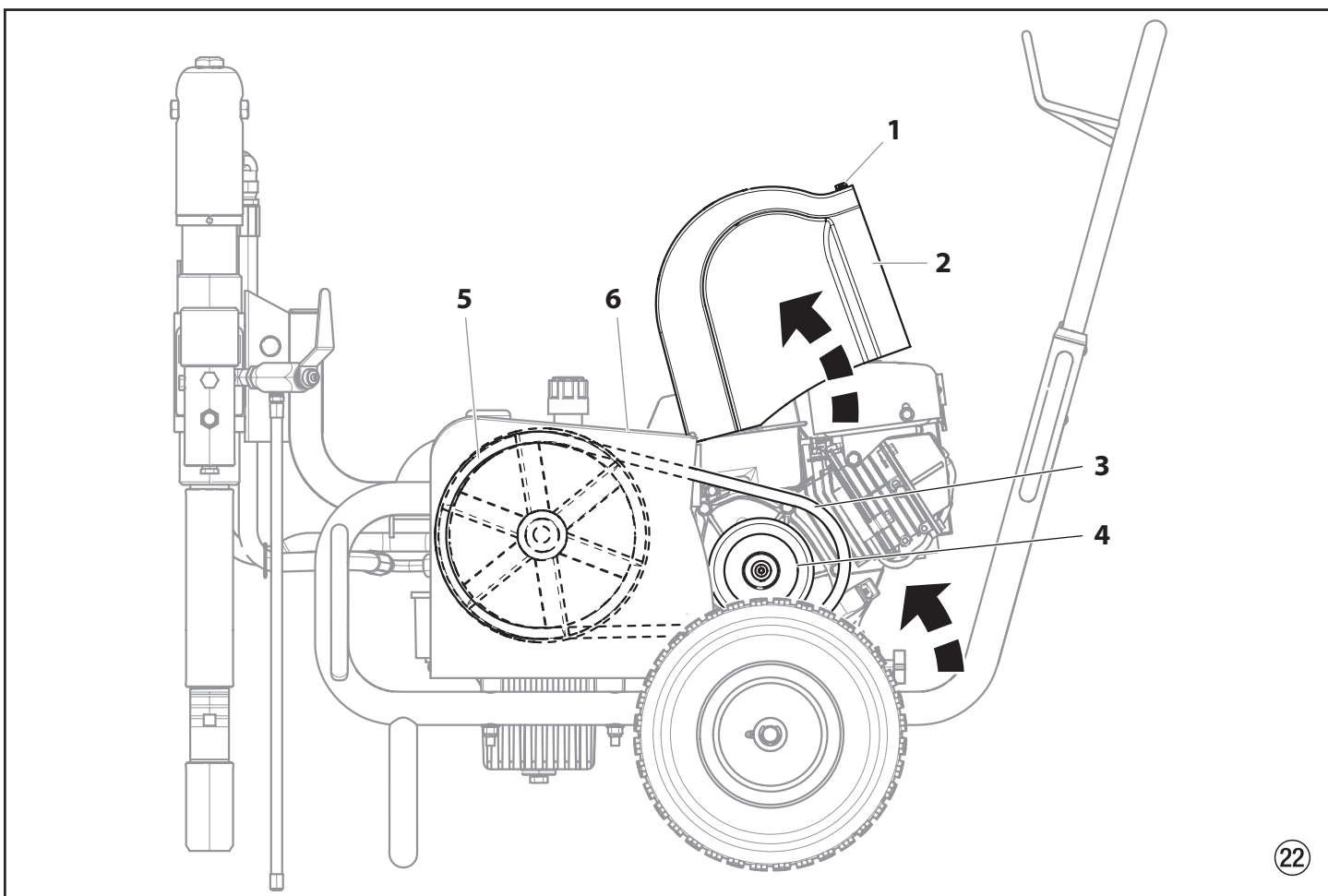


**Achtung**

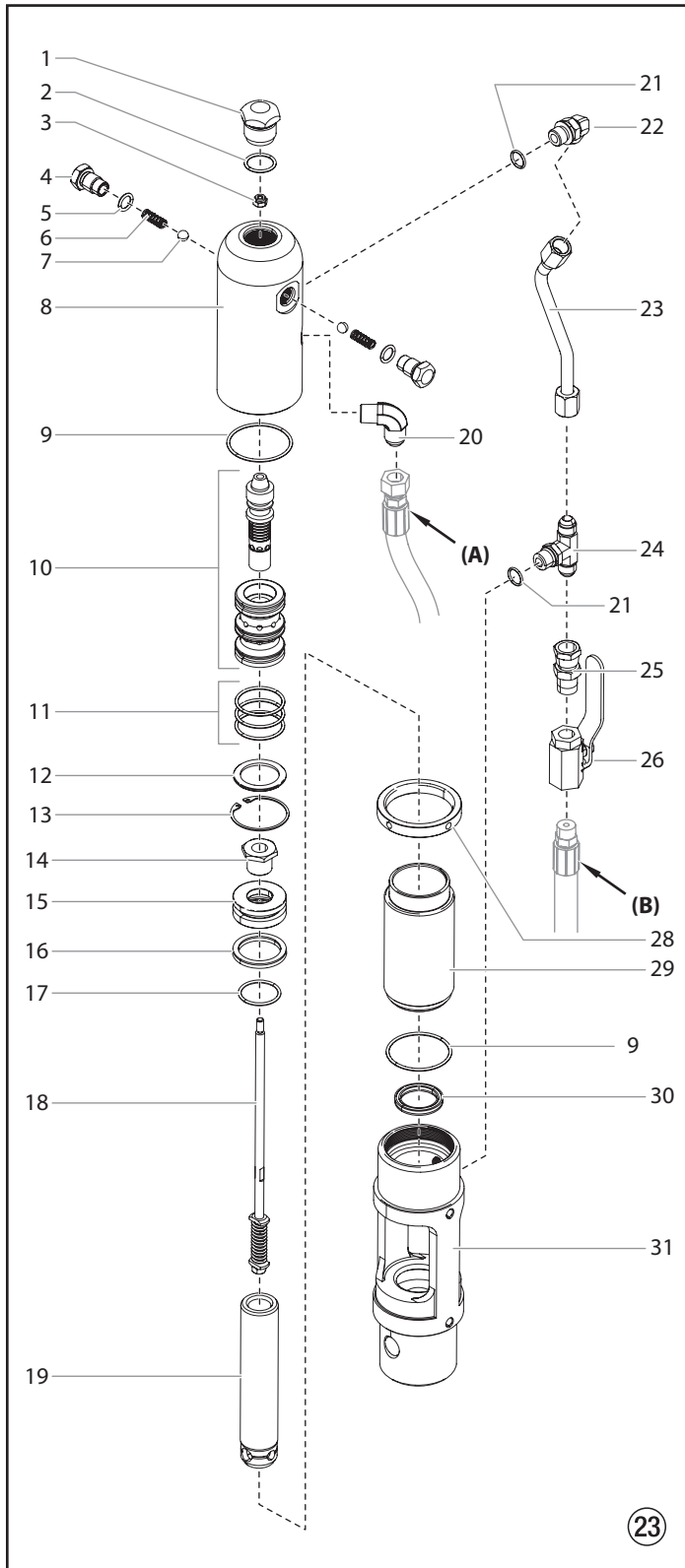
**Achten Sie darauf, dass der Riemen nicht eingequetscht oder verdreht ist, wenn Sie den Benzinmotor/elektrischen Motor an seinen Platz zurücksetzen.**

- e. Schließen Sie den Riemenschutz (2) und ziehen den Riemenschutzknopf (1) wider fest.





## 2.3 Wartung des Hydraulikmotors (Abb. 23)



Bitte siehe Vorgehensweise zur "Montageanleitung zum SAE O-Ring" am Ende dieses Abschnitts für Pos. 22 und 24.

Dieser Ablauf ist mit den nötigen Teilen des Motorservicesatz – klein (P/N 235-050) durchzuführen. Wenn der Hydraulikmotor betriebsfähig ist, die Maschine starten und die Kolbenstange (19) in die oberste Position vorrücken.



Die Wartung des Hydraulikmotors sollte nur in einem sauberen, staubfreien Bereich durchgeführt werden. Jegliche Staub- oder Metallteile, die im Motor gelassen werden oder beim Wiedereinbau in den Motor greifen können kritische Teile beschädigen und die Lebensdauer und Garantie beeinträchtigen. Alle Teile sollten auf absolute Sauberkeit überprüfen.

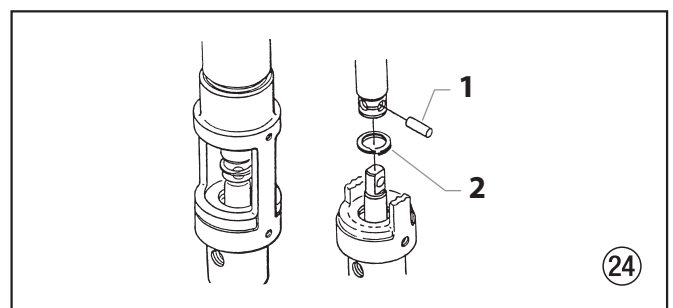
### Den Hydraulikmotor demontieren

1. Den Druckschlauch (B) auf der Hinterseite der Hydraulikpumpe vom Winkelstück entfernen.
2. Die zwei Montageschrauben und Federscheiben entfernen, welche die Motoren-/Pumpenbaugruppe an die Pumpenabstützung im Wagen befestigen.
3. Die Motoren-/Pumpenbaugruppe in einen Schraubstock einspannen, indem die Baugruppe sicher beim Motoren-/Pumpenblock gehalten wird (31).
4. Zylinderkopfstöpsel entfernen (1).
5. Seegerring (28) mit einem Ringschlüssel lösen und das Rohr herausrauben indem die Mutter auf dem T-Stück (24) gehalten wird. Das Rohr lösen, indem die Mutter auf dem Winkelstück (22) gehalten wird. Die Mutter heruntergleiten lassen. Motorenrohr entfernen (23). Langsam den Zylinderkopf (8) abschrauben und nur soweit über den Zylinder (29) heben, bis die Ventilstangenbaugruppe (18) mit einer Gripzange erreicht werden kann.
6. Die Kolbenstange (19) sollte bei der Demontage nahe der oberen Position ruhen. Es wird möglicherweise nötig sein, die Kolbenstange mit einem Holz- oder Nylonhammer in die obere Position zu befördern.
7. Die Ventilstange sicher mit der Gripzange ergreifen und die FlexLoc Mutter (3) vom oberen Teil der Ventilstangenbaugruppe (18) entfernen. Vorsicht, dass die Spule (10) nicht fällt. Der Zylinderkopf (8) kann jetzt herausgehoben werden. Den Zylinder (29) vom Motoren-/Pumpenblock (31) abschrauben.



Ein zusätzlicher Seegerring (28) kann benutzt werden um die zwei Seegerringe zusammen am Zylinder zu blockieren und ein Rohrschlüssel kann benutzt werden, um den Zylinder (29) vom Motoren-/Pumpenblock (31) abzuschrauben.

8. Um den Verbindungsstift (Abb. 24, Pos. 1) zu entfernen, den Haltering (2) mit einem kleinen Schraubenzieher herunter ziehen und den Verbindungsstift herausdrücken.



9. Die Kolbenstangenbaugruppe vom Motoren-/Pumpenblock (31) entfernen.
10. Die Kolbendichtung (30) entfernen; grosse Vorsicht ist nötig, damit die Dichtungskerbe im Motoren-/Pumpenblock (31) nicht angekratzt wird.
11. Die Kolbenhalteschraube (14) an der Kolbenstangenbaugruppe in einem Schraubstock anbringen. Eine lange Stange als Hebel durch das Loch an der Unterseite der Kolbenstange schieben und die Kolbenstange von der Kolbenhalteschraube abschrauben.
12. Kolben (19) entfernen und die Ventilstangenbaugruppe (18) herausheben.
13. Die Kolbendichtung (16) und den O-Ring (17) entfernen.

14. Auslösehalter (4), Auslösefedern (6) und Bälle (7) vom Zylinderkopf (8) entfernen. O-Ringe (5) vom Auslösehalter (4) entfernen.
15. Haltering (13) und Abziehhülsehalter (12) entfernen. Sachte den Spulen-/Abziehhülsehalter (10) mit einem Holz- oder Nylonstab aus dem Zylinderkopf (8) klopfen.
16. Kolbenstange (19) und Zylinder (29) auf Abnutzung, Kratzer und Dellen untersuchen. Falls beschädigt, ersetzen.
17. Spulventil (10) auf Abnutzung untersuchen. Wenn nötig ersetzen. In der vertikalen Position gehalten, sollte das Spulventil sich frei und reibungslos ohne Kraftaufwendung bewegen. Ist dies nicht der Fall, kann es dazu führen, dass der Motor abwürgt.

### Wiedereinbau des Hydraulikmotors

1. Den Spulen-/Abziehhülsehalter (10) abtrennen. O-Ringe (11) auf die Abziehhülse setzen. O-Ringe mit Hydrauliköl schmieren. Die Abziehhülse mit der flacheren Seite gegen Aussen sachte in den Zylinderkopf (8) hineindrücken. Mit einem Nylonstab die Abziehhülse herunterklopfen, bis die volle Tiefe erreicht wird. Kein anderes Werkzeug, welches die Abziehhülse beschädigen könnte, oder Partikel oder Ablagerungen an der Abziehhülse hinterlässt. Die Spule durch den Oberteil des Zylinderkopfes, hinunter in die Abziehhülse installieren.



**Kein Kolbensmierpumpen-Dichtungssmierstoff verwenden. Dies ist ein Lösungsmittel und wird die Dichtungen und O-Ringe des Hydraulikmotors schwer beschädigen.**

2. O-Ringe (5) an den Auslösehalter (4) einsetzen. Auslösehalterbälle (7) gefolgt von den Federn (6) einsetzen. Die Federn, wenn eingesetzt, werden den Spulen-/Abziehhülsehalter (10) in der richtigen Position zum Einbau halten.
3. Abziehhülsehalter (12) gefolgt vom Sprengring (13) in den Zylinderkopf (8) einsetzen. Dies wird die Ventilabziehhülse an der richtigen Stelle halten. Den O-Ring (9) in die O-Ring-Furche des Zylinderkopfes einsetzen.
4. Untere Dichtung (30) im Motoren-/Pumpenblock (31) ersetzen. Vergewissern Sie sich, dass die offene Seite der Dichtung gegen oben gerichtet ist (V). Für diese Dichtung wird kein spezielles Werkzeug benötigt.
5. Kolbenstange (19) in den Schraubstock einspannen. Ventilstangenbaugruppe (18) auf jegliche Beschädigung hin untersuchen. Vergewissern Sie sich, dass die Stellmutter auf der Unterseite der Ventilstangenbaugruppe (18) gesichert ist. NICHT entfernen. Danach die Kolbenstange (19) wie illustriert einsetzen. O-Ring (17) einsetzen, gut schmieren und Kolben (15) wieder auf die Kolbenstange (19) einsetzen. Einen Tropfen Loctite blau auf die Kolbenhalterschraube (14) geben. Kolbenhalterschraube soweit anziehen, bis der Kolben an der richtigen Stelle arretiert ist. Zu diesem Zeitpunkt ist die Ventilstangenbaugruppe (18) auf normale Federung zu überprüfen.
6. Kolbendichtung (16) mit Lippe gegen unten zeigend einsetzen. Vorsichtig den O-Ring (17) einsetzen. Den Ring zur Installation genügend ausdehnen.
7. Mit dem Motoren-/Pumpenblock (31) immer noch im Schraubstock, die untere Dichtung (30) einsetzen, indem sie mit einem stumpfen Stab von geeigneter Länge in die Richtung von ihrer Furche gestossen wird. Dann die den Vorgang mit den Fingern abschliessen. Es wird kein Werkzeug benötigt, Die Dichtung nicht verdrehen.
8. Den Kolben und die Ventilstangenbaugruppe vorab mit Coolflo Hydraulikflüssigkeit (P/N 430-361) schmieren. Kolbenstange (19) in den Motoren-/Pumpenblock (31) mit einer leicht drückenden und rotierenden Bewegung einsetzen, damit die Kolbenstange durch die Dichtung (30) geführt werden kann.



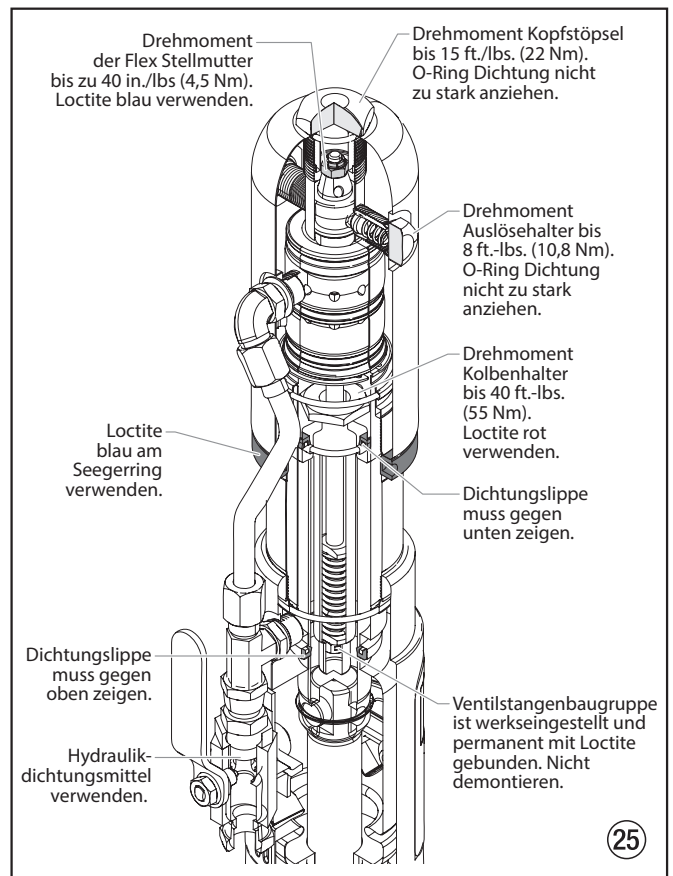
**Die Unterseite der Kolbenstange (19) auf Kerben oder spitze Stellen, die die Kolbendichtung beim Einbau durch den Motoren-/Pumpenblock (31) beschädigen könnten, untersuchen.**

9. Den Verbindungsstangenstift und Haltering ersetzen.
10. Den O-Ring (9) an die Zylinderwand einsetzen. Ring und innere Wand schmieren. Die Kolbenstange gut festhalten und den Zylinder mit einem Gummihammer sachte über die

Kolbendichtung treiben. Den Zylinder fest in den Motoren-/Pumpenblock (31) einschrauben.

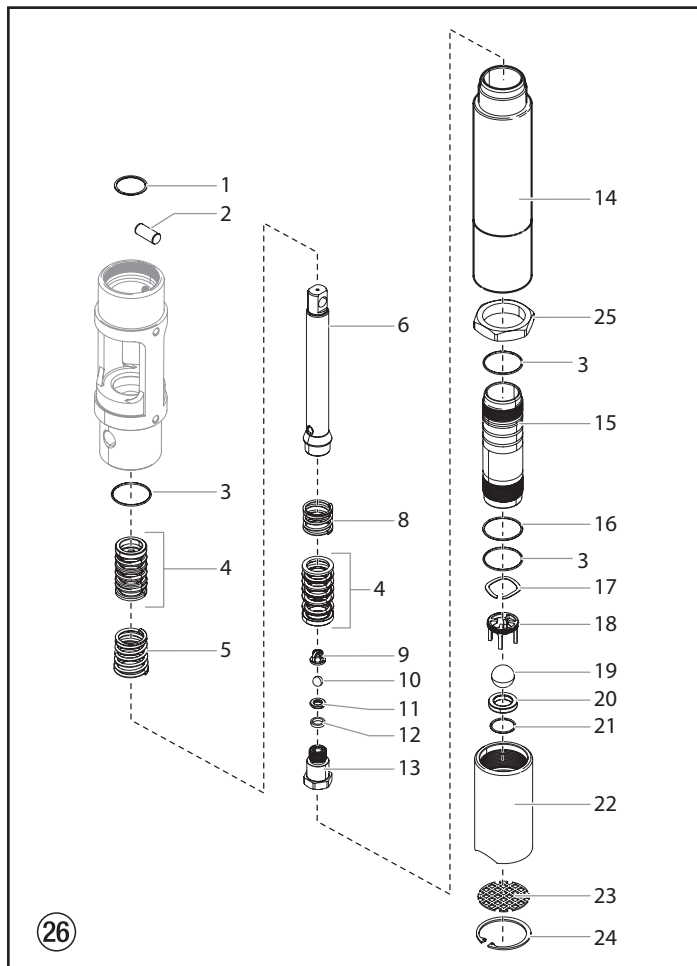
11. Die Kolbenstange (19) in die obere Position führen und den Seegerring (28) gänzlich auf das obere Gewinde des Zylinders (29) aufschrauben.
12. Die Ventilstangenbaugruppe (18) soweit wie möglich nach oben ziehen und mit einer Gripzange ergreifen. Danach den bereits zusammengebauten Zylinderkopf (8) über die Ventilstange einbauen, bis die oberen Gewinde der Ventilstange durch das obere Ende Des Spulen-/Abziehhülsehalters (10) durchtreten. Die Ventilstangengewinde müssen sauber und ölfrei sein. Einen Tropfen Loctite blau an das Gewinde der Stellmutter (3) auftragen und Mutter auf die Ventilstange festschrauben (nicht zu stark anziehen), indem die Ventilstange unten mit der Gripzange festgehalten wird.
13. Zylinderkopf (8) auf den Zylinder (29) herunterschrauben und danach wieder soweit aufschrauben, damit genügend Raum entsteht um Hydraulik-anschlussstutzen und Motorenrohr (23) wiedereinzubauen. Seegerring mit einem Ringschlüssel anziehen um den Zylinderkopf in der richtigen Position zu halten.
14. O-Ring (2) auf den Zylinderkopfstöpsel (1) einsetzen. Festziehen.

### Hydraulikmotor Schnittbild

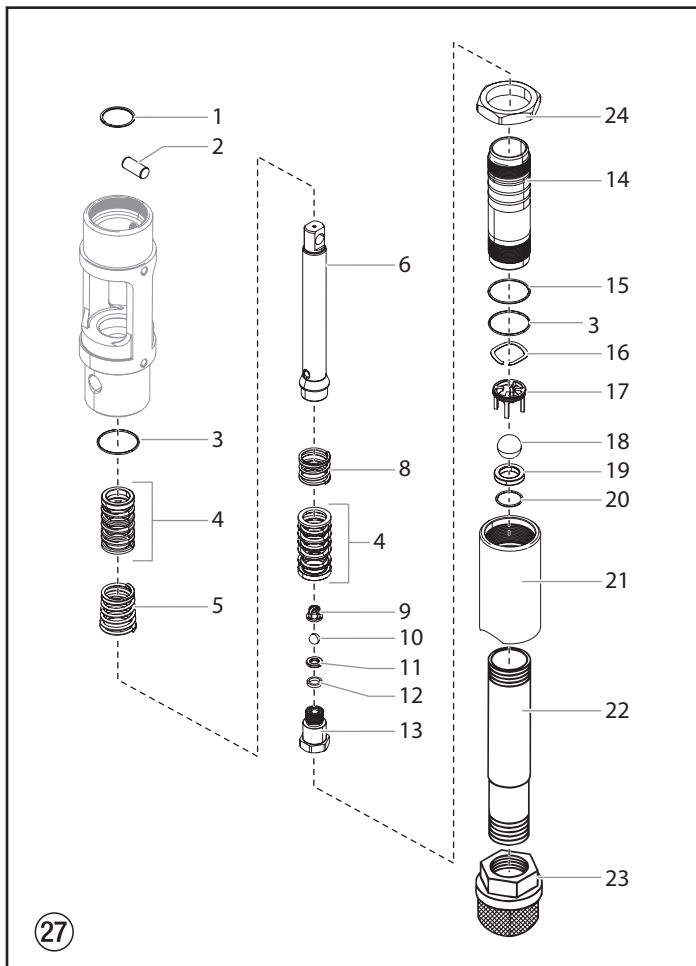


## 2.4 Unterhalt des Flüssigkeitsbereiches

### PT6900 Plus DI



### PT12000 Plus DI



Achtung

Die Benutzung von anderen Ersatzteilen als Titan kann die Garantie annullieren. Für die beste Wartung, benutzen Sie Originalteile von Titan. Diese Pumpe sollte nach ungefähr 1.000 Stunden Laufzeit mit einer Routinewartung gewartet werden. Bei übermäßigem Leck oder wenn die Pumpbewegungen in die eine oder andere Richtung schneller werden, ist eine frühere Wartung nötig. Zur Schmierung der oberen Dichtungen ist die Verwendung von Titan Piston Lube (p/n 314-480) empfohlen. Benutzen Sie kein Öl, Wasser oder Lösungsmittel als Schmiermittel für die oberen Dichtungen.



Die Zahlen in Klammern beziehen sich auf die nummerierten Teile in den Illustrationen des Flüssigkeitsbereiches. Wenn zwei Zahlen angegeben sind, bezieht sich die erste Zahl auf die Teilenummer für den PT6900 Plus DI und die zweite Zahl bezieht sich auf die Teilenummer für den PT12000 Plus DI.

### Demontage des Flüssigkeitsbereichs

- 1a. **PT6900 Plus DI** - Entfernen Sie das Fußventilgehäuse (22), den Pumpenzylinder (15) und den Zylinderabstandhalter (14) mit einem Bandschlüssel.
- 1b. **PT12000 Plus DI** - Entfernen Sie das Siphonrohr (22). Das Fussventilgehäuse (21) und den Pumpenzylinder (14) mit einem Riemenschlüssel aufschrauben.



Wenn der Pumpenzylinder (15, 14) nicht mit einem Bandschlüssel gelöst werden kann, so verwenden Sie die Abziehmutter (25, 24), um ihn aus dem Pumpengehäuse auszubauen.

2. Den Haltering (1) mit einem kleinen Schraubenzieher heraufschieben und dann den Verbindungsstift (2) herausdrücken.
3. Den Verdrängungsstab (6) durch den unteren Hohlraum des Motoren-/Pumpenblock ziehen.
4. Den PTFE O-Ring (3) und die obere Dichtungsfeder (5) und den oberen Dichtungssatz (4) vom Motoren-/Pumpenblock entfernen.
5. Den Verdrängungsstab (6) in einem Schraubstock an den flachen Seiten am oberen Ende des Verdrängungsstabes halten und das Ablassventilgehäuse (13) mit einem Schlüssel entfernen, während der Verdrängungsstab horizontal, wenn nötig mit einer hölzernen Unterlage gehalten wird. Den Dichtungsring (12), Ablassventilsitz (11), Ablassventilball (10), Ablassventilkorb (9) unterer Dichtungssatz (4), und untere Dichtungsfeder (8).
6. Benutzen Sie eine 1/2" Verlängerungsstange welche an ein 1/2" Antriebszahngesperre angebaut ist, und fügen Sie das Ende der Verlängerungsstange in die quadratische Öffnung des Fussventilkorb (18,17), innerhalb dem Fussventilgehäuse (22,21). Den Fussventilkorb zusammen mit der Wellendichtscheibe (17,16) abschrauben und vom Fussventilgehäuse entfernen.
7. Den PTFE O-Ring (3), Fussventilball (19,18), Fussventilsitz (20, 19) und Sitz-O-Ring (21,20) vom Fussventilgehäuse (22,21) entfernen.
8. Den O-Ring (16,15) vom Pumpenzylinder (15,14) entfernen.

## Wiedereinbau des Flüssigkeitsbereichs



**An allen Rohrverbindungsgewinden PTFE-band benutzen.**

1. Einen neuen Sitz O-Ring (21,20) in die Kerbe am unteren Teil des Fussventilgehäuses (22,21) anbringen.
2. Den Fussventilsitz (20,19) auf Abnutzung untersuchen. Wenn eine Seite abgenutzt ist, den Sitz auf die unbenutzte Seite umdrehen. Wenn beide Seiten abgenutzt sind, einen neuen Sitz einbauen. Den neuen oder umgedrehten Sitz (abgenutzte Seite nach unten) in die Bohrung am Unteren Teil des Fussventilgehäuses (22,21) einfügen.
3. Einen neuen Fussventilball (19,18) auf den Fussventilsitz setzen (20,19). Benutzen Sie eine 1/2" Verlängerungsstange welche an ein 1/2" Antriebszahngesperre angebaut ist, und fügen Sie das Ende der Verlängerungsstange in die quadratische Oeffnung des Fussventilkorbes (18, 17) und schrauben den Fussventilkorb in das Fussventilgehäuse (22, 21). Drehmoment für den Korb bis 240 in./lbs (20 ft./lbs.).
4. Die Wellendichtscheibe (17,16) auf den Fussventilkorb (18,17) aufsetzen.
5. Einen neuen PTFE O-Ring (3) in die Furche am unteren Ende des Fussventilgehäuses (22,21) einsetzen. Den O-Ring mit Oel oder Fett schmieren.
6. Nachdem die Lederdichtungen in Oel (vorzugsweise Leinöl) eingeweicht wurden, den unteren Dichtungssatz (4) wieder zusammenbauen. Den Satz auf das Ablassventilgehäuse (13) setzen, mit dem Spitz der "V" Dichtungen nach unten in Richtung des Sechskants am Ablassventilgehäuse zeigend.



**Alle Ledermanschetten müssen vor der Montage für 15-20 Minuten in Öl (CoolFlo) eingeweicht werden. Werden die Manschetten zu lange eingeweicht, schwellen diese auf und verursachen Probleme beim Wiederausammenbau.**

7. Den Ablassventilsitz (11) auf Abnutzung untersuchen. Wenn eine Seite abgenutzt ist, den Sitz auf die unbenutzte Seite umdrehen. Wenn beide Seiten abgenutzt sind, einen neuen Sitz benutzen. Den Ablassventilkorb (9), Ablassventilball (10), neuen oder umgedrehten Sitz (abgenutzte Seite vom Ball entfernt) und eine neue Dichtscheibe (12) in die Verdrängungsstange (6) einsetzen.
8. Die Gewinde am Ablassventilgehäuse (13) reinigen und die Gewinde mit Loctite blau Nr. 242 beschichten. Vergewissern Sie sich, dass Loctite nur auf dem Gewinde aufgetragen wird.
9. Die untere Dichtungsfeder (8) auf das Ablassventilgehäuse (13) setzen.
10. Den Verdrängungsstang (6) und das Ablassventilgehäuse (13) zusammenschrauben. In einem Schraubstocsk bis zu 50 ft./lbs. (68 Nm) anziehen.
11. Den PTFE O-Ring (3) in die obere Furche des Motoren-/ Pumpenblocks einsetzen.
12. Den oberen Dichtungssatz (4) in den Motoren-/Pumpenblock einsetzen, mit der Spitze der "V" Dichtungen nach oben, in Richtung Motor zeigend.



**Die Dichtungen müssen vor der Montage in Oel (CoolFlo) eingeweicht worden sein.**

13. Die obere Dichtungsfeder (5) mit dem kleinen zulaufenden Ende gegen oben in Richtung Motor/Pumpe zeigend in den Motoren-/Pumpenblock einsetzen.
14. Den Verdrängungsstab (6) durch die oberen Dichtungen hinauf in den Motoren-/Pumpenblock einsetzen.
15. Die Löcher im Verdrängungsstab (6) und dem Hydraulikkolbenstab aufeinander abstimmen und den Verbindungsstift (2) einsetzen. Den Haltering (1) über dem Verbindungsstift ersetzen.
- 16a. **PT6900 DI** - Schrauben Sie die kurzen Gewinde des Zylinderabstandshalters (14) in den Motoren-/Pumpenblock

ziehe es mit einem Bandschlüssel fest. Schrauben Sie die kurzen Gewinde des Pumpenzylinders (15) in den Zylinderabstandhalter (14) wobei das gerändelte Ende des Pumpenzylinders zum Zylinderabstandhalter zeigt und mit einem Riemenschlüssel festschrauben.

- 16b. **PT12000 DI** - Richten Sie den Pumpenzylinders (14) mit dem gerändelten Teil und der Demontagemutter nach oben aus, schrauben Sie ihn in den Pumpenblock ziehe es mit einem Bandschlüssel fest.



**Achtung**

**Die Abziehmutter (25, 24) muss nach dem Festziehen des Zylinders (15, 14) auf dem Gewinde bleiben. Verwenden Sie die Mutter nicht, um gegen den Block zu klemmen, da sonst Schäden während des Gebrauchs auftreten. Diese Mutter dient nur zum Ausbau des Zylinders.**

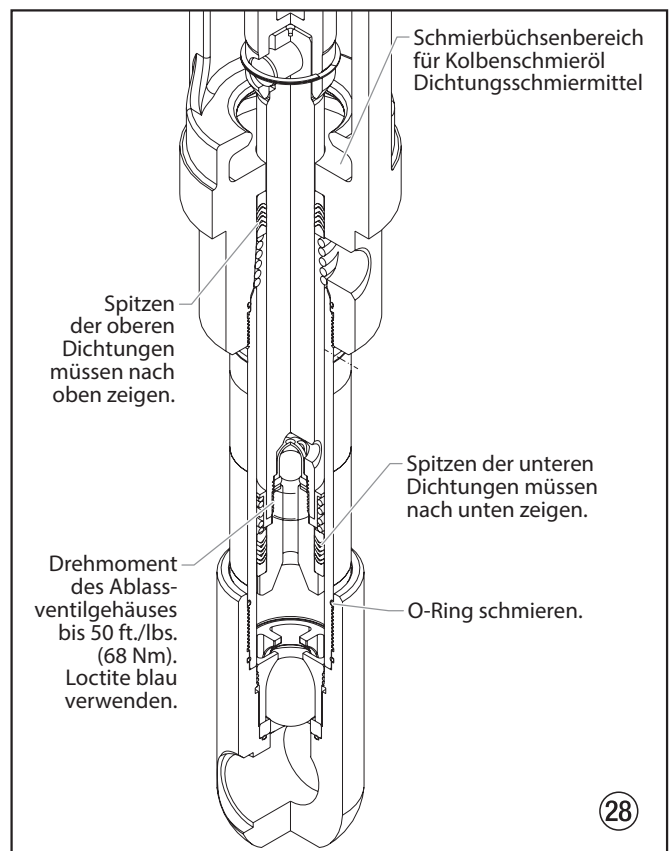
17. Den O-Ring (16,15) in die oberste Furche des Pumpenzylinders (15,14) einsetzen.
18. Das Fussventilgehäuse (22,21) auf den Pumpenzylinder (15,14) aufschrauben, mit einem Riemenschlüssel festziehen.
19. **PT12000 DI** - Montieren Sie das Siphonrohr (22).



**Es ist nicht nötig, das Fussventilgehäuse zu stark anzuziehen. Die O-Ring Dichtungen dichten ohne übermässiges Anziehen. Anziehen bis an das Ende des Gewindes ist genügend. Das Fussventilgehäuse kann zur bequemen Schlauchpositionierung bis zu einer 1/2 Drehung nach Ende des Gewindes nach hinten rotiert werden.**

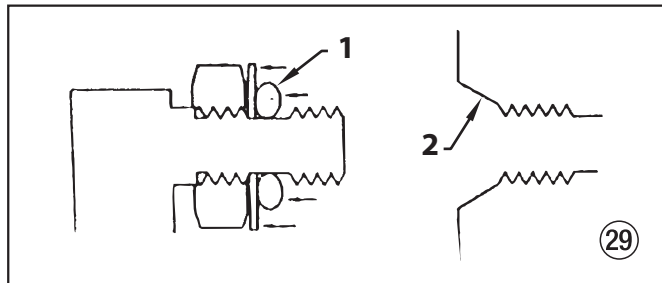
**PT12000 DI - Für die Syphonschlauchaufsätze ist es kritisch wichtig, dass die Gewinde des Syphonschlauches raumfest in das Fussventilgehäuse passen und dass die schlauch mit PTFE-band umwickelt und abgedichtet sind, um Luftlecks zu verhindern.**

## Schnittbild des Flüssigkeitsbereichs

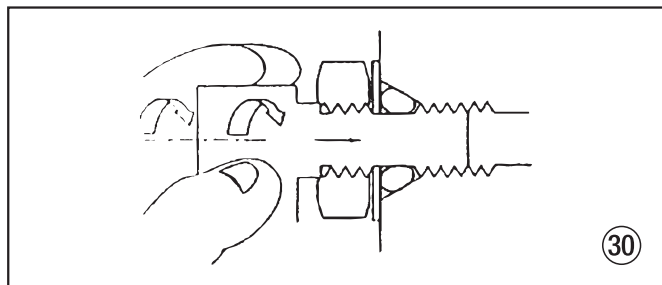


## 2.5 Montageanleitung zum SAE O-Ring

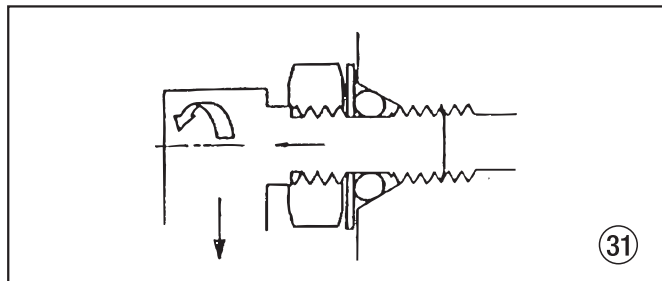
1. Ziehen Sie die Unterlegscheibe und den O-Ring so weit wie möglich zurück.
2. Schmieren Sie den O-Ring(1) und die Eintrittsöffnung (2).



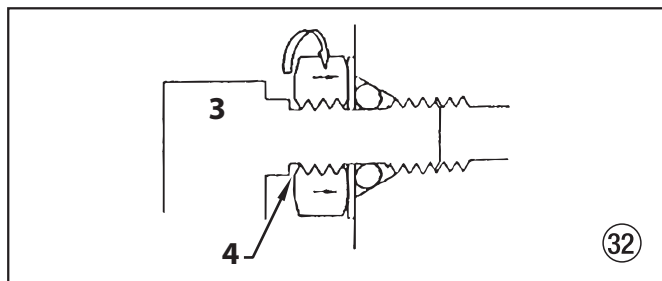
3. Schrauben Sie das Einschraubteil soweit rein, bis die Unterlegscheibe den O-Ring in die Eintrittsöffnung schiebt und diese flach auf der Öffnung sitzt (Ziehen Sie diesen nicht fest! Ziehe diesen nur handfest, um den O-Ring in die Öffnung zu drücken!)



4. Machen Sie beim Rückbau nicht mehr als eine komplette Drehung, um diese anzupassen.



5. Drehen Sie den Mutterschlüssel fest und halten dabei die Stütze auf das Einschraubteil (3). Dadurch entsteht eine Einlaufspalte (4) hinter der Gewindemutter, die als Hinweis dazu dient, dass das Einschraubteil korrekt montiert wurde. (Dies ist ein Merkmal nur für eine spezielle Version des Einschraubteils - dieses wird in den Zylinderkopf eingeschraubt. Andere Einschraubteile, die z. B. in die Hydraulikpumpe geschraubt werden, werden genauso montiert, haben aber ggf. keinen Indikator.)



Achtung

Schrauben Sie das Einschraubteil nicht zu weit ein. Dadurch kann die Unterlegscheibe verbogen werden, wodurch wiederum der O-Ring gepresst wird. Lassen Sie das Einschraubteil nicht zu sehr hervorragen. Dadurch kann der O-Ring durch das Gewinde des Einschraubteils durchtrennt werden.

## 3. Fehlerbehebung

### 3.1 Airless-Spritzpistole

Problem	Grund	Lösung
A. Spuckende Spritzpistole	<ol style="list-style-type: none"> <li>Luft im System</li> <li>Verschmutzte Spritzpistole</li> <li>Nadelbaugruppe nicht mehr angepasst</li> <li>Sitz ist zerbrochen oder angeschlagen</li> </ol>	<ol style="list-style-type: none"> <li>Verbindungen auf Luftleck überprüfen.</li> <li>Zerlegen und reinigen.</li> <li>Überprüfen und abstimmen.</li> <li>Überprüfen und ersetzen.</li> </ol>
B. Spritzpistole lässt sich nicht absperrern	<ol style="list-style-type: none"> <li>Abgenutzte oder zerbrochene Nadel &amp; Sitz</li> <li>Nadelbaugruppe nicht mehr angepasst</li> <li>Verschmutzte Spritzpistole</li> </ol>	<ol style="list-style-type: none"> <li>Ersetzen.</li> <li>Abstimmen.</li> <li>Reinigen.</li> </ol>
C. Spritzpistole spritzt nicht	<ol style="list-style-type: none"> <li>Keine Farbe</li> <li>Verstopfter Filter oder Düse</li> <li>Zerbrochene Nadel in der Spritzpistole</li> </ol>	<ol style="list-style-type: none"> <li>Flüssigkeitsvorrat überprüfen.</li> <li>Reinigen.</li> <li>Ersetzen.</li> </ol>

### 3.2 Flüssigkeitsbereich

Problem	Grund	Lösung
A. Pumpe gibt Farbe nur beim Aufwärtsstrich ab oder geht langsam aufwärts und schnell abwärts (üblicherweise auch downstroke dive genannt)	<ol style="list-style-type: none"> <li>Unterer Fussventillball kann sich nicht setzen, da entweder verschmutzt oder abgenutzt</li> <li>Material ist zu dickflüssig um angesaugt zu werden.</li> <li>Luft tritt an der Ansaugseite ein oder beschädigter Syphonschlauch. Der Syphon ist vielleicht zu klein für dickeres Material.</li> </ol>	<ol style="list-style-type: none"> <li>Fussventilbaugruppe entfernen. Reinigen und überprüfen. Fussventil testen indem es mit Wasser gefüllt wird; falls der Ball den Sitz nicht abdichtet, den Ball ersetzen.</li> <li>Material verdünnen — Für die richtigen Verdünnungsverfahren den Hersteller kontaktieren.</li> <li>Alle Verbindungen zwischen Pumpe und Farbbehälter festziehen. Falls beschädigt, ersetzen. Auf ein Syphonset mit grösserem Durchmesser wechseln.</li> </ol>
B. Pumpe gibt Farbe nur beim Abwärtsstrich ab oder geht schnell aufwärts und langsam abwärts	<ol style="list-style-type: none"> <li>Oberer Ball kann sich nicht setzen, da entweder verschmutzt oder abgenutzt</li> <li>Untere Dichtungen sind abgenutzt</li> </ol>	<ol style="list-style-type: none"> <li>Den oberen Sitz und Ball mit Wasser testen. Falls der Ball nicht abdichtet, den Sitz ersetzen.</li> <li>Dichtungen ersetzen falls sie abgenutzt ist.</li> </ol>
C. Pumpe bewegt sich schnell auf- und abwärts, gibt Farbe ab	<ol style="list-style-type: none"> <li>Materialkübel ist leer oder das Material ist zu dickflüssig um durch den Syphonschlauch zu fließen</li> <li>Unterer Ball klebt an der Fussventilsitz</li> <li>Syphonschlauch ist geknickt oder lose</li> </ol>	<ol style="list-style-type: none"> <li>Mit neuem Material auffüllen. Wenn es zu dickflüssig ist, den Syphonschlauch entfernen, Flüssigkeitsbereich in das Material eintauchen und Pumpe zum Grundieren anstellen. Verdüner dem Material beimischen. Auf ein grösseres Syphonset umstellen. Auslaufventil öffnen um Luft abzulassen und Pumpe neu starten.</li> <li>Fussventil entfernen. Ball und Sitz reinigen.</li> <li>Gerade legen.</li> </ol>
D. Pumpe bewegt sich langsam auf- und abwärts wenn die Spritzpistole abgestellt ist	<ol style="list-style-type: none"> <li>Lose Verbindungen. Auslaufventil ist teilweise offen oder Auslaufventil ist abgenutzt. Unterer Dichtungssitz ist abgenutzt.</li> <li>Oberer und/oder unterer Ball setzt sich nicht</li> </ol>	<ol style="list-style-type: none"> <li>Alle Verbindungen zwischen Pumpe und Spritzpistole überprüfen. Wenn nötig festziehen. Falls Material aus dem Ablassschlauch läuft, Ablassventil schliessen oder wenn nötig ersetzen. Wenn keine der obenerwähnten Lösungen erforderlich ist, die untere Dichtung ersetzen. Bälle neu setzen indem sie gereinigt werden.</li> </ol>
E. Ungenügend Flüssigkeitsdruck in der Spritzpistole	<ol style="list-style-type: none"> <li>Spritzpistolendüse ist abgenutzt</li> <li>Abflussfilter oder Spritzpistolenfilter ist verstopft</li> <li>Tiefe Spannung und/oder unzureichende Stromstärke</li> <li>Schlauchdurchmesser ist zu klein oder Schlauchlänge zu lang</li> </ol>	<ol style="list-style-type: none"> <li>Ersetzen.</li> <li>Filter reinigen oder ersetzen.</li> <li>Elektrizitätsservice überprüfen. Wenn nötig korrigieren.</li> <li>Schlauchdicke vergrössern um den Druckabfall im Schlauch zu vermindern und/oder Schlauchlänge verringern.</li> </ol>
F. Pumpe klappert beim Aufwärts- oder Abwärtsstrich	<ol style="list-style-type: none"> <li>Lösungsmittel brachte obere Dichtung zum anschwellen</li> </ol>	<ol style="list-style-type: none"> <li>Dichtung ersetzen.</li> </ol>

### 3.3 Hydraulikmotor

#### Problem

A. Oelmotor würgt unten ab (keine aussergewöhnlichen Hitze Probleme)

#### Grund

1. Kolbensitz der Flüssigkeitspumpe wurde aufgeschraubt
2. Ventil klebt oder die Stangengangsbaugruppe des Oelmotors hat sich abgesondert

#### Lösung

1. Wenn Verbindungsstange in Ordnung ist, Zylinderkopfstecker entfernen und Ventil nach unten drücken. Stecker ersetzen und Maschine neu starten. Wenn die Maschine nach oben zyklert und dann unten anhält, liegt das Problem beim Kolbensitz in der Flüssigkeitspumpe. Kolbensitz überprüfen. Reparieren oder wenn nötig ersetzen. Wenn der Kolbensitz in Ordnung ist und das Problem nicht behoben ist, den Oelmotor überprüfen.
2. Ventil entfernen und auf Kratzer und grobe Bewegung beim Auf- und Abgleiten überprüfen. Ventil und Spule in diesem Zustand ersetzen. In diesem Fall die Stange auf mögliche Abtrennung von der Spule überprüfen. Stange auf mögliche Abtrennung überprüfen.

B. Tiefer Druck (in Ordnung beim Abwärtsstrich, träge beim Aufwärtsstrich – grosse Hitze)

1. Ventil klebt
2. Federführung zerbrochen (Ventilstangenbaugruppe)
3. Feder oder Ventilstange zerbrochen
4. Luft im Hydraulikmotor

1. Ventil entfernen und auf Kratzer und grobe Bewegung beim Auf- und Abgleiten überprüfen. Ventil und Spule in diesem Zustand ersetzen.
2. Ventilstangenbaugruppe ersetzen.
3. Ventilstangenbaugruppe ersetzen.
4. Ventil neu einstellen. Luftentleerung, wird normalerweise erreicht, indem der Motor und die Pumpenbaugruppe während 5 – 10 Minuten unter leichtem Druck zyklieren. Gründe für den Lufteintritt überprüfen:
  - Lockere Einbauteile im Tank.
  - Lockere Einbauteile in der Hydraulikpumpe.
  - Lockere Schlauchverbindungen.
  - Oeltiefstand im Reservoir.
5. Wenn die Flüssigkeitspumpe Luft aufnimmt, kann der Fluss der Flüssigkeit im oberen Stand wahllos auftreten. Ventil nachstellen. Luft in der Flüssigkeitspumpe ist zu vermeiden.

C. Tiefer Druck (in Ordnung beim Abwärtsstrich, träge beim Aufwärtsstrich – grosse Hitze)

1. Kolbendichtung zerstört
2. Riss im Kolben

1. Vor der Demontage des Oelmotors die Maschine starten. Während die Pumpe unter Druck läuft, den Hydraulikzylinder berühren, um festzustellen ob der Zylinder oder Zylinderkopf heisser wird. Dies hilft zu ermitteln, ob die Kolbendichtung zerstört oder die Kolbenmutter zerbrochen ist. Wenn der Zylinderkopf heiss ist, die O-Ringe am Spulventil überprüfen.
2. Oelmotor demontieren und Kolgendichtungen, Zylinderbohrung und Kolbenmutter überprüfen. Spezielle Aufmerksamkeit ist der Kolbenmutter zu schenken. Sie kann angerissen sein, was äusserlich nicht erkennbar ist.

ANMERKUNG: Der Motor müht sich beim Aufwärtsstrich ab und geht in den Leerlauf bei Beginn des Abwärtsstriches.

D. Tiefer Druck (Beide Strichrichtungen – grosse Hitze)

1. Mittlere O-Ringe am Spulventil zerstört
2. Schlechte Hydraulikpumpe

1. Vor der Demontage des Oelmotors die Maschine starten. Während die Pumpe unter Druck läuft, den Hydraulikzylinder berühren, um festzustellen ob der Zylinder oder Zylinderkopf heisser wird. Dies hilft zu ermitteln, ob der mittlere O-Ring am Spulventil zerstört ist. Wenn heiss, den O-Ring entfernen und ersetzen.
2. Hydraulikpumpe ersetzen.

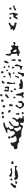
ANMERKUNG: Der Motor müht sich bei Beginn beider Strichrichtungen ab.



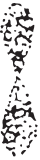
### 3.4 Spritzmuster

#### Problem

A. Schweif



B. Stundenglas



C. Verzerrt



D. Muster ausgedehnt und zusammengedrückt (Schub)



E. Rundes Muster



#### Grund

1. Mangelhafte Flüssigkeitszufuhr

1. Mangelhafte Flüssigkeitszufuhr

1. Verstopfte oder abgenutzte Düse

1. Anschlagleck  
2. Pulsierende Flüssigkeitszufuhr

1. Abgenutzte Düse  
2. Flüssigkeit zu dickflüssig für Düse

#### Lösung

1. Flüssigkeit atomisiert nicht richtig: Flüssigkeitsdruck vergrößern. Düse mit einer kleineren Düse auswechseln. Flüssigkeitsviskosität verringern. Schlauchlänge verringern. Spritzpistole und Filter reinigen. Anzahl Spritzpistolen, die von der Pumpe bedient werden reduzieren.

1. Gleich wie oben.

1. Düse reinigen oder ersetzen.

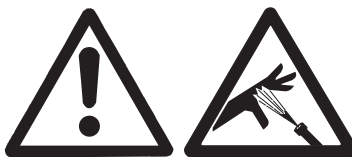
1. Ansaugschlauch auf Leck überprüfen.  
2. Düse mit einer kleineren Düse auswechseln. Pulsschlagdämpfer im System installieren oder existierender Dämpfer ablassen. Anzahl Spritzpistolen die von der Pumpe bedient werden reduzieren. Beschränkungen im System beseitigen; Düsengitter reinigen wenn Filter benutzt wird.

1. Düse ersetzen.  
2. Druck erhöhen. Material verdünnen. Düse auswechseln.

# Attention!

## Danger de blessure par injection de produit!

Les groupes "Airless" produisent des pressions de projection extrêmement élevées.

**1**

**Ne jamais exposer les doigts, les mains ou d'autres parties du corps au jet!**

**Ne jamais diriger le pistolet vers soi, vers d'autres personnes ou vers des animaux.**

**Utiliser toujours le pistolet muni de sa protection.**

**Ne traitez pas une blessure par injection comme simple coupure. En cas de blessure de la peau par l'injection de peintures ou de solvants, consultez sans retard un médecin. Renseignez le médecin sur la nature de la peinture ou du solvant utilisés.**

**2**

**Avant toute mise en service, respecter les points suivants conformément aux instructions de service:**

1. Ne jamais utiliser un équipement défectueux.
2. Verrouiller le pistolet Titan par le levier de sécurité à la gâchette.
3. Assurer la mise à la terre correcte.
4. Vérifier et respecter les pressions admissibles pour le flexible et le pistolet.
5. Contrôler l'étanchéité de tous les raccords.

**3**

**Respecter sans faute les instructions relatives au nettoyage et à l'entretien réguliers du matériel.**

**Avant toute intervention sur le matériel et pendant chaque interruption de travail, observer les règles suivantes:**

1. Evacuer la pression du pistolet et du flexible.
2. Verrouiller le pistolet Titan par le levier de sécurité à la gâchette.
3. Arrêter le groupe.

# Ne négligez pas la sécurité!

## Contenu

	Page
<b>1. Prescriptions de sécurité pour la projection Airless</b> .....	33
1.1 Explication des symboles utilisés .....	33
1.2 Sécurité en électricité .....	34
1.3 Sécurité du moteur à essence.....	35
1.4 Ravitaillement (moteur à essence).....	36
1.5 Utilisation sur un terrain incliné.....	36
<b>2. Réparations sur l'appareil</b> .....	37
2.1 Remplacement des balais de moteur (moteur électrique de 120 V facultatif) .....	37
2.2 Remplacement de la courroie .....	38
2.3 Entretien du moteur hydraulique .....	40
2.4 Maintenance de la section des liquides .....	42
2.5 Installation du raccord SAE du joint torique .....	44
<b>3. Dépannage</b> .....	45
3.1 Pistolet sans air.....	45
3.2 Section des liquides.....	45
3.3 Moteurs hydrauliques.....	46
3.4 Répartition de la pulvérisation .....	47
<b>Accessoires et pièces de rechange</b> .....	48
Liste des pièces de rechange ensemble principal.....	48/49
Liste des pièces de rechange ensemble de chariot .....	50/51
Liste des pièces de rechange du système hydraulique.....	52/53
Liste des pièces de rechange du moteur hydraulique .....	54/55
Liste des pièces de rechange de section des liquides .....	56/57
Liste des pièces de rechange convertokit électrique (120V).....	58
Liste des pièces de rechange convertokit électrique (400V).....	59
Liste des pièces de rechange convertokit électrique (230V).....	60/61
Liste des pièces de rechange convertokit à essence.....	62
Liste des pièces de rechange filtre à haute pression.....	63
Liste des pièces de rechange protège-courroie.....	64
Liste des pièces de rechange assemblage de la soupape de décharge.....	65
Liste des pièces de rechange assemblage de la soupape de décharge, revêtements épais.....	66
<b>Schéma électrique (230V)</b> .....	68
<b>Schéma électrique (400V)</b> .....	69
<b>Accessoires pour groupes PT</b> .....	70
Ensembles de collecteur de pistolet (facultatifs) .....	72
<b>Garantie</b> .....	75

## 1. Prescriptions de sécurité pour la projection Airless

### 1.1 Explication des symboles utilisés

Veillez lire et être sûr de comprendre toutes les informations contenues dans ce manuel avant d'utiliser l'appareil. Lorsque vous pénétrez dans une zone qui contient les symboles suivants, soyez particulièrement vigilant et vérifiez que les systèmes de sécurité sont bien installés.

	<b>Ce symbole indique un risque potentiel pouvant entraîner des blessures graves ou même mortelles. Vous trouverez ci-après d'importantes consignes de sécurité.</b>
	<b>Ce symbole indique un risque potentiel pour vous ou pour l'appareil. D'importantes informations sur la manière d'éviter tout dommage de l'équipement ou d'éviter des blessures légères sont indiquées ci-après.</b>
	<b>Danger de blessure par injection de produit</b>
	<b>Danger d'incendie</b>
	<b>Risque d'explosion</b>
	<b>Vapeurs toxiques et/ou inflammables. Danger d'intoxication et de brûlure</b>
	<b>Les notes contiennent des informations qui doivent être consciencieusement respectées.</b>
	<p><b>AVERTISSEMENT! AVERTISSEMENT EN FONCTION DE LA PROPOSITION 65 DE LA CALIFORNIE</b></p> <p>Cet appareil peut vous exposer à des produits chimiques, y compris le plomb, reconnus par l'État de la Californie pour causer le cancer, des anomalies congénitales ou d'autres troubles de la reproduction. L'échappement des moteurs des modèles ayant un moteur à essence peut vous exposer au monoxyde de carbone, reconnu par l'État de la Californie pour causer le cancer, des anomalies congénitales ou d'autres troubles de la reproduction.</p> <p>Pour de plus amples renseignements, consultez le site Web <a href="http://www.P65warnings.ca.gov">www.P65warnings.ca.gov</a>.</p>



### RISQUE : Blessure par projection

Un courant de liquide à haute pression produit par cet équipement peut percer la peau et les tissus sous-cutanés, et entraîner des blessures graves ou une amputation.

Ne traitez pas une blessure par injection comme simple coupure. En cas de blessure de la peau par l'injection de peintures ou de solvants, consultez sans retard un médecin. Renseignez le médecin sur la nature de la peinture ou du solvant utilisés.

#### PRÉVENTION :

- NE dirigez JAMAIS le pistolet vers une partie du corps, quelle qu'elle soit.
- NE laissez JAMAIS une partie du corps entrer en contact avec le flux de liquide. NE laissez JAMAIS votre corps au contact d'une fuite dans le tuyau de liquide.
- NE placez JAMAIS vos mains devant le pistolet. Les gants ne constituent pas un rempart suffisant contre les blessures par projection.
- Bloquez TOUJOURS la gâchette du pistolet, éteignez la pompe et vidangez toute la pression avant toute opération d'entretien, avant de nettoyer une buse ou une protection, avant de changer une buse ou si vous laissez l'appareil sans surveillance. La pression ne s'évacue pas simplement en éteignant le moteur. La vanne prime/SPRAY ou la vanne de décharge de la pression doivent être placées dans les positions souhaitées pour vidanger la pression.
- Conservez TOUJOURS la protection de la buse en place lorsque vous pulvérisez. La protection de la buse fournit une certaine protection mais il s'agit principalement d'un système d'alarme.
- Enlevez TOUJOURS la buse de pulvérisation avant de rincer ou de nettoyer le système.
- N'utilisez JAMAIS un pistolet pulvérisateur sans blocage de gâchette et sans protection de gâchette.
- Tous les accessoires doivent pouvoir travailler à la pression de travail maximale du pulvérisateur ou au-dessus. Ceci concerne les buses de pulvérisation, les pistolets, les rallonges et le tuyau.



### RISQUE : Flexible à haute pression

Le tuyau de peinture peut présenter des fuites dues à l'usure, aux pincements et aux mauvaises utilisations. Toute fuite peut entraîner une projection de matériau dans la peau. Vérifiez soigneusement le tuyau avant chaque utilisation.

#### PRÉVENTION :

- Il faut éviter de trop plier le flexible; le plus petit rayon ne doit pas être inférieur à 20 cm.
- Protéger le flexible contre le passage de véhicules et éviter le frottement sur des arêtes vives.
- Remplacer immédiatement tout tuyau à haute pression endommagé.
- Ne jamais essayer de réparer un flexible endommagé!
- La charge électrostatique du pistolet et du flexible est évacuée par ce dernier. Pour cette raison, la résistance électrique entre les raccords du flexible doit être égale ou inférieure à 1 mégohm.
- Pour des raisons de fonctionnement, de sécurité et de durée utile utiliser exclusivement des flexibles à haute pression originaux de Titan.
- Avant chaque utilisation, vérifiez que les tuyaux ne présentent ni coupures, ni fuites, ni signes d'abrasion ou de renflement du revêtement. Vérifiez l'état et le mouvement des raccords. Remplacez immédiatement les tuyaux s'ils sont en mauvais état. Ne réparez jamais un tuyau de peinture. Remplacez-le par un tuyau à haute-pression relié à la masse.

- Assurez vous que le tuyau à air et les tuyaux de pulvérisation sont disposés de façon à éviter les risques de glissade, de débouchement ou de chute.



### RISQUE : Explosion et incendie

Les vapeurs inflammables, telles que les vapeurs de solvant et de peinture, dans une zone de travail peuvent s'enflammer ou exploser.

#### PRÉVENTION :

- Servez-vous de l'équipement dans un endroit bien aéré. Faites circuler beaucoup d'air frais dans l'endroit afin d'éviter l'accumulation de vapeurs inflammables dans la zone de pulvérisation. Entrez l'ensemble de la pompe dans un endroit bien aéré. Ne pulvérisez pas l'ensemble de la pompe.
- Modèles électriques uniquement - N'utilisez pas de peintures ayant un point d'éclair sous 38 °C (100 °F). Le point d'éclair est la température à laquelle un liquide peut produire suffisamment de vapeurs pour s'enflammer.
- Modèles à essence uniquement - Ne faites jamais le plein lorsque le moteur est en marche ou chaud. Éteignez le moteur et laissez-le refroidir. L'essence est inflammable. Elle peut s'enflammer ou exposer si on en renverse sur une surface chaude.
- Éliminez toutes les sources d'inflammation, comme les veilleuses, les cigarettes, les lampes électriques portatives et les toiles de protection en plastique (risque d'arc statique).
- Gardez la zone de travail exempte de débris, y compris des solvants, des chiffons et d'essence.
- Ne branchez ou ne débranchez pas les cordons d'alimentation, ne mettez pas l'appareil en marche, n'allumez ou n'éteignez pas les lumières lorsque des vapeurs inflammables sont présentes.
- Mettez de terre l'équipement et les objets conducteurs dans la zone de travail. Assurez-vous que le câble de mise à la terre (non inclus) relie la patte de mise à la terre à une prise de terre réelle.
- Utilisez uniquement des tuyaux mis à la terre.
- Tenez le pistolet de pulvérisation fermement contre le côté d'un seau mis à la terre lorsque vous pulvérisez dans le seau.
- S'il y a production d'étincelles statiques ou si vous ressentez un choc, arrêtez le fonctionnement immédiatement.
- Soyez au courant du contenu de la peinture et des solvants à pulvériser. Lisez toutes les fiches signalétiques (FS) et les étiquettes des récipients de peinture et de solvant. Suivez les consignes de sécurité du fabricant de peinture et du solvant.
- N'utilisez pas de peinture ou de solvant contenant des hydrocarbures hydrogénés, comme du chlore, de l'eau de Javel, un agent anti-moisissure, du chlorure de méthylène et du trichloroéthane. Ils ne sont pas compatibles avec l'aluminium. Communiquez avec le fournisseur de revêtement au sujet de la compatibilité du produit avec l'aluminium.
- Gardez un extincteur dans la zone de travail.



### RISQUE : Vapeurs dangereuses

Les peintures, solvants, et autres matériaux peuvent être nocifs en cas d'inhalation ou de contact avec la peau. Les vapeurs peuvent entraîner de sérieuses nausées, des syncopes ou des empoisonnements.

#### PRÉVENTION :

- Pendant le travail de protection porter un masque respiratoire. Lisez attentivement toutes les instructions fournies avec le masque pour vous assurer qu'il fournit bien la protection nécessaire.
- Tous les règlements locaux en matière de protection contre les vapeurs toxiques doivent être respectés.

- Portez des protections oculaires.
- Pour protéger la peau il est nécessaire de porter des vêtements de protection, des gants et d'utiliser éventuellement une crème de protection de la peau. Observer les prescriptions des fabricants au sujet des produits de peinture, de nettoyage et des solvants pendant la préparation, la mise en oeuvre et le nettoyage du matériel.



### RISQUE : Généralités -

peut entraîner des blessures sévères ou des dégâts matériels.

#### PRÉVENTION :

- Respectez toutes les réglementations locales et nationales concernant la ventilation, la prévention des incendies et le fonctionnement.
- Lorsque vous appuyez sur la détente, il se produit un mouvement de recul de la main qui tient le pistolet pulvérisateur. Le recul du pistolet pulvérisateur est particulièrement puissant lorsque la buse a été démontée et lorsque la pompe sans air a été réglée sur une pression élevée. Lors du nettoyage sans buse, réglez donc le bouton de contrôle de la pression sur la pression minimale.
- N'utilisez que des pièces de rechange d'origine. L'utilisateur assume tous les risques s'il utilise des pièces qui ne correspondent pas aux spécifications minimales et aux dispositifs de sécurité du fabricant de la pompe.
- Respectez TOUJOURS les consignes du fabricant du matériel pour manipuler la peinture et les solvants en toute sécurité.
- Nettoyez immédiatement les matériaux tombés et le solvant déversé accidentellement, afin d'éviter les risques de glissade.
- Munissez-vous d'une protection auditive. Le bruit émis par cet appareil peut dépasser les 85 dB(A).
- Ne laissez jamais cet outil sans surveillance. Tenez-le hors de portée des enfants ou des personnes non familiarisées avec le fonctionnement des équipements sans air.
- Ne vaporisez pas à l'extérieur en cas de vent.
- L'appareil et tous ses liquides (p. ex., huile hydraulique) doivent être détruits sans danger pour l'environnement.

## 1.2 Sécurité en électricité

Les modèles électriques doivent être reliés à la terre. En cas de court-circuit électrique, la mise à la terre réduit les risques de choc électrique en fournissant un fil d'échappement pour le courant électrique. Ce produit est équipé d'un câble avec un fil de mise à la terre et une fiche de mise à la terre adaptée. Branchement au réseau seulement par un point d'alimentation spécial, par exemple par un disjoncteur à courant de défaut de INF < 30 mA.



**DANGER — Les travaux ou réparations sur l'équipement électrique doivent être confiés uniquement à un électricien qualifié. Nous déclinons toute responsabilité en cas d'installation inappropriée. Arrêter l'appareil. Avant toutes réparations, tirer la fiche de la prise de courant.**

Danger de court-circuit par la pénétration d'eau dans l'équipement électrique. Ne jamais nettoyer le matériel avec un jet d'eau ou de vapeur sous haute pression.

#### Travaux et réparations sur l'équipement électrique:

Faire effectuer ces interventions uniquement par un électricien. Nous déclinons toute responsabilité dans le cas d'une installation incorrecte.

#### Température de fonctionnement

Cet équipement fonctionnera correctement à sa température ambiante visée, entre +10°C et +40°C au moins.

#### Humidité relative

Cet équipement fonctionnera correctement dans un milieu ayant une humidité relative de 50 %, à +40°C. Une humidité relative plus élevée

peut être permise à des températures plus basses.

L'acheteur doit prendre des mesures afin d'éviter les effets destructeurs de la condensation accidentelle.

#### Altitude

Cet équipement fonctionnera correctement jusqu'à 2 100 m au-dessus du niveau moyen de la mer.

#### Transport et entreposage

Cet équipement résistera aux températures de transport et d'entreposage entre -25°C et +55°C et jusqu'à +70°C pour des périodes courtes, ou il est protégé pour résister à ces températures.

Son emballage prévient les dommages des effets de l'humidité, de la vibration et des coups normaux.

## 1.3 Sécurité du moteur à essence

1. Les moteurs à essence sont conçus pour offrir un service sûr et stable à condition d'être utilisés conformément aux instructions. Lisez attentivement et assurez-vous de bien comprendre le Manuel d'utilisateur du fabricant du moteur avant d'utiliser le moteur. Dans le cas contraire, vous pourriez vous blesser ou endommager l'équipement.
2. En vue d'éviter tout risque d'incendie et de fournir une ventilation adéquate, conservez le moteur à 1 mètre (3 pieds) minimum de tout bâtiment et de tout autre équipement pendant son fonctionnement. Ne placez pas d'objets inflammables à proximité du moteur.
3. Les personnes qui n'utilisent pas l'appareil doivent s'en éloigner afin d'éviter le risque de brûlures des composantes chaudes du moteur ou le danger de blessures provenant de l'équipement utilisé pour faire fonctionner l'appareil.
4. Sachez comment arrêter rapidement le moteur, et veillez à bien comprendre le fonctionnement de toutes les commandes. N'autorisez jamais personne à utiliser le moteur sans prendre connaissance des instructions adéquates.
5. L'essence est un produit extrêmement inflammable pouvant exploser sous certaines conditions.
6. Faites le plein d'essence dans une zone suffisamment ventilée, le moteur à l'arrêt. Ne fumez pas et évitez tout flamme ou étincelle dans la zone d'alimentation en essence ou dans le lieu où est stockée l'essence.
7. Ne remplissez pas trop le réservoir d'essence. Après avoir fait le plein d'essence, assurez-vous que le couvercle du réservoir est correctement et solidement refermé.
8. Faites attention à ne pas répandre de l'essence lors du remplissage du réservoir. Les vapeurs d'essence ou l'essence répandue sont susceptibles de s'enflammer. Si vous venez à déverser de l'essence, assurez-vous que la zone est bien sèche avant de mettre le moteur en marche.
9. Ne faites jamais fonctionner le moteur dans un espace clos ou confiné. L'échappement contient du monoxyde de carbone toxique ; toute exposition pourrait occasionner une perte de connaissance, voire entraîner la mort.
10. Le pot d'échappement devient extrêmement chaud pendant le fonctionnement et reste chaud pendant un certain moment même après l'arrêt du moteur. Veillez à ne pas toucher le pot d'échappement lorsqu'il est chaud. En vue d'éviter de sérieuses brûlures ou des risques d'incendie, laissez refroidir le moteur avant de le transporter ou de le ranger à l'intérieur.
11. Ne déplacez / transportez jamais le pulvérisateur lorsqu'il y a de l'essence dans le réservoir.



**N'UTILISEZ PAS cet appareil pour pulvériser de l'eau ou de l'acide.**



Attention

**Ne vous servez pas de la poignée du chariot pour soulever lors du chargement ou du déchargement. L'appareil est très lourd. Trois personnes sont nécessaires pour les soulever.**

## 1.4 Ravitaillement (moteur à essence)



**L'essence est extrêmement inflammable et explosive dans certaines conditions.**



Attention

**Ne pas trop remplir le réservoir à essence. Le couvercle du réservoir pourrait s'obstruer des particules dans l'essence et causer un vide. Lire les consignes de remplissage dans le mode d'emploi du moteur à essence.**

### Spécifications du carburant

- Utilisez une essence automobile ayant un indice d'octane d'au moins 86, ou un indice d'octane recherche d'au moins 91. L'utilisation d'une essence ayant un indice d'octane inférieur peut causer un « cognement » ou une « détonation » (un bruit d'ébranlage métallique) tenace qui, s'il est grave, peut endommager le moteur.



**S'il y a un « cognement » ou une « détonation » à une vitesse constante avec une charge normale, utilisez une autre marque d'essence. Si vous obtenez toujours un cognement ou une détonation, consultez un distributeur agréé du fabricant de moteurs. Le fait de ne pas suivre cette directive constitue un abus. Les dommages causés par l'abus ne sont pas couverts par la garantie restreinte du fabricant du moteur.**

**Il se peut que vous entendiez parfois une détonation légère pendant le fonctionnement avec des charges lourdes. Il n'y a aucune raison de s'inquiéter, cela signifie simplement que votre moteur fonctionne de façon efficiente.**

- L'essence sans plomb produit moins de dépôts du moteur et de la bougie, et rallonge la durée de vie des composantes du système d'échappement.
- Ne jamais utiliser de l'essence éventée ou contaminée, ou un mélange d'huile et d'essence. Évitez de laisser entrer de la saleté, de la poussière ou de l'eau dans le réservoir à essence.

### Essences contenant de l'alcool

Si vous décidez d'utiliser une essence qui contient de l'alcool (gasohol), assurez-vous qu'elle a au moins un indice d'octane correspondant à celui qui est recommandé par le fabricant du moteur. Il existe deux types de « gasohol » : un type contient de l'éthanol, tandis que l'autre contient du méthanol. N'utilisez pas un gasohol qui contient plus de 10 % d'éthanol. N'utilisez pas d'essence qui contient du méthanol (alcool méthylique ou de bois), mais qui n'inclut pas également des cosolvants et des inhibiteurs de corrosion pour le méthanol. N'utilisez jamais de l'essence qui contient plus de 5 % de méthanol, même si elle contient également des cosolvants et des inhibiteurs de corrosion.

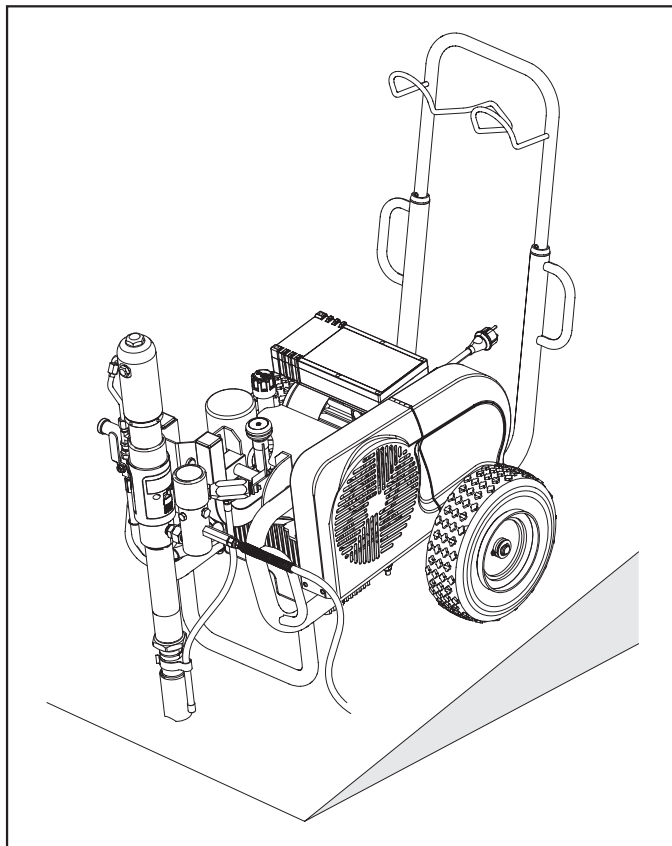


**Les dommages au système d'alimentation ou les problèmes de rendement du moteur découlant de l'utilisation d'essences contenant de l'alcool ne sont pas couverts par la garantie. Le fabricant du moteur ne peut pas approuver l'utilisation d'essences contenant du méthanol étant donné que leur adaptation n'a pas encore été éprouvée.**

**Avant d'acheter de l'essence d'une station-service inconnue, essayez de savoir si l'essence contient de l'alcool. Si elle en contient, confirmez le type d'alcool utilisé, ainsi que le pourcentage inclus. Si vous remarquez des caractéristiques de fonctionnement indésirables lorsque vous utilisez une essence qui contient de l'alcool, ou que vous croyez qu'elle contient de l'alcool, utilisez une essence dont vous êtes certains qu'elle ne contient pas d'alcool.**

## 1.5 Utilisation sur un terrain incliné

La partie avant du groupe doit montrer vers le bas afin d'éviter un déplacement involontaire.



## 2. Réparations sur l'appareil



**Avant d'effectuer des réparations, assurez-vous d'effectuer la procédure de décompression, section 4.6 du Manuel D'utilisation. Respectez également tous les autres avertissements afin de minimiser les risques de blessures dus à des projections ou à des pièces mobiles ou les risques de décharge électrique. Débranchez toujours le pulvérisateur avant de procéder à son entretien !**

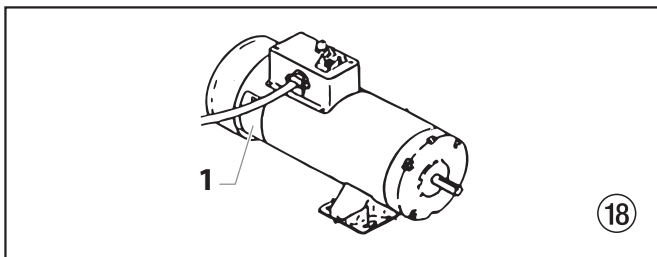
### 2.1 Remplacement des balais de moteur (moteur électrique de 120 V)

Le Convertokit électrique de 120 V est disponible par achat distinct. Suivez ces directives en se servant de la trousse de remplacement des balais de moteur (no de pièce 978-050). La trousse contient deux brosses, deux ressorts et deux agrafes.

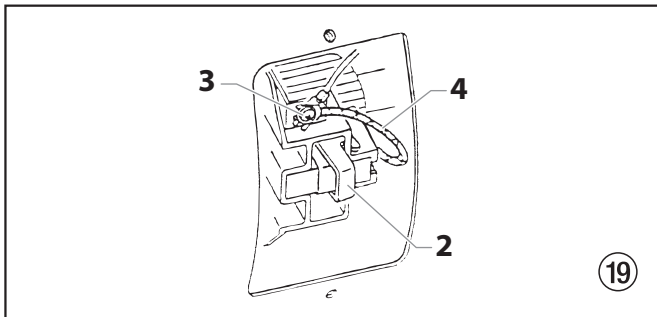


**Les brosses devraient être remplacées lorsqu'elles sont usées à moins de 1,25 cm. Vérifiez et remplacez les deux brosses au même moment.**

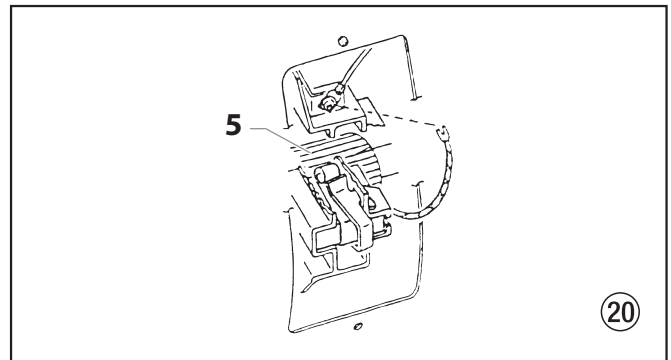
1. Retirez les deux couvercles d'inspection (1) sur le moteur.



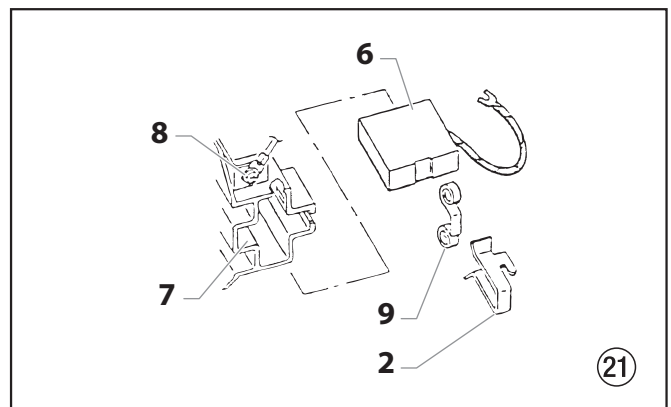
2. Appuyez sur l'agrafe-ressort (2) afin de le dégrafer, ensuite retirez-le.
3. Dévisser la vis de serrage (3). Retirez la broche de raccordement (4) de la brosse, mais laissez le câble du moteur en place. Retirez la brosse et le ressort.



4. Inspectez le commutateur (5) pour des signes de brûlures, de piqûres de corrosion excessive ou de gougeage. Il est normal que le commutateur soit noir.



5. Installez la nouvelle brosse (6) de façon à ce que sa broche de raccordement se glisse dans la longue fente du porte-balai (7). Poussez la borne sous la rondelle de la borne (8). Assurez-vous que le câble de moteur est encore connecté à la vis. Serrez la vis.
6. Placez le ressort (9) sur la brosse (6) tel qu'illustré ci-dessus. Appuyez sur l'agrafe-ressort (2) et agrafez-le. Répétez la procédure pour l'autre côté.



7. Réinstaller les deux couvercles d'inspection.



**Si le moteur électrique se surcharge et arrête de fonctionner, arrêtez IMMÉDIATEMENT le moteur et suivez la procédure de décompression dans la section Nettoyage du présent manuel. Attendez que le moteur se refroidisse (environ 30 minutes). Appuyez ensuite sur le couvercle en bulle, le bouton de réenclenchement manuel, mettez le moteur en marche et mettez le système en pression.**

## 2.2 Remplacement de la courroie (Fig. 22)



**Avant de remplacer la courroie de votre appareil, assurez-vous d'avoir suivi la procédure de décompression illustrée dans la section Fonctionnement du présent manuel. NE tentez PAS d'effectuer cette réparation pendant que l'appareil est en marche.**



**Les images ci-dessous illustrent un appareil muni d'un moteur à essence. Toutes les directives de cette section s'appliquent à la fois aux modèles ayant un moteur à essence et aux modèles ayant un moteur électrique, sauf lorsqu'il est indiqué autrement.**

1. Desserrez le bouton (1) à l'avant du protège-courroie. Levez le devant du protège-courroie (2) afin d'exposer le devant de la courroie (3).
2. Levez doucement le devant du moteur à essence/moteur électrique. Cela réduira la tension de la courroie et facilitera son enlèvement.



**DANGER DE PINCEMENT. Assurez-vous que vos doigts ne touchent pas la plaque de fixation du moteur à essence/moteur électrique.**  
**DANGER DE BRÛLURE. Assurez-vous de laisser le moteur à essence se refroidir suffisamment avant de le toucher.**

3. Lorsque le moteur à essence/électrique est levé, retirez la courroie des poulies avant (4) et arrière (5).
4. Installez la nouvelle courroie :
  - a. Insérez la courroie dans la section fixe du protège-courroie (6). Passez la courroie autour de la poulie arrière (5) jusqu'à ce que la courroie entre dans la gorge de poulie.
  - b. Levez doucement le devant du moteur à essence/moteur électrique.
  - c. En levant le devant du moteur à essence/électrique, passez l'autre bout de la courroie autour de la poulie avant (4).
  - d. Abaissez doucement le moteur à essence/électrique. Le poids du moteur à essence/électrique créera de la tension dans la courroie et l'empêchera de tomber.

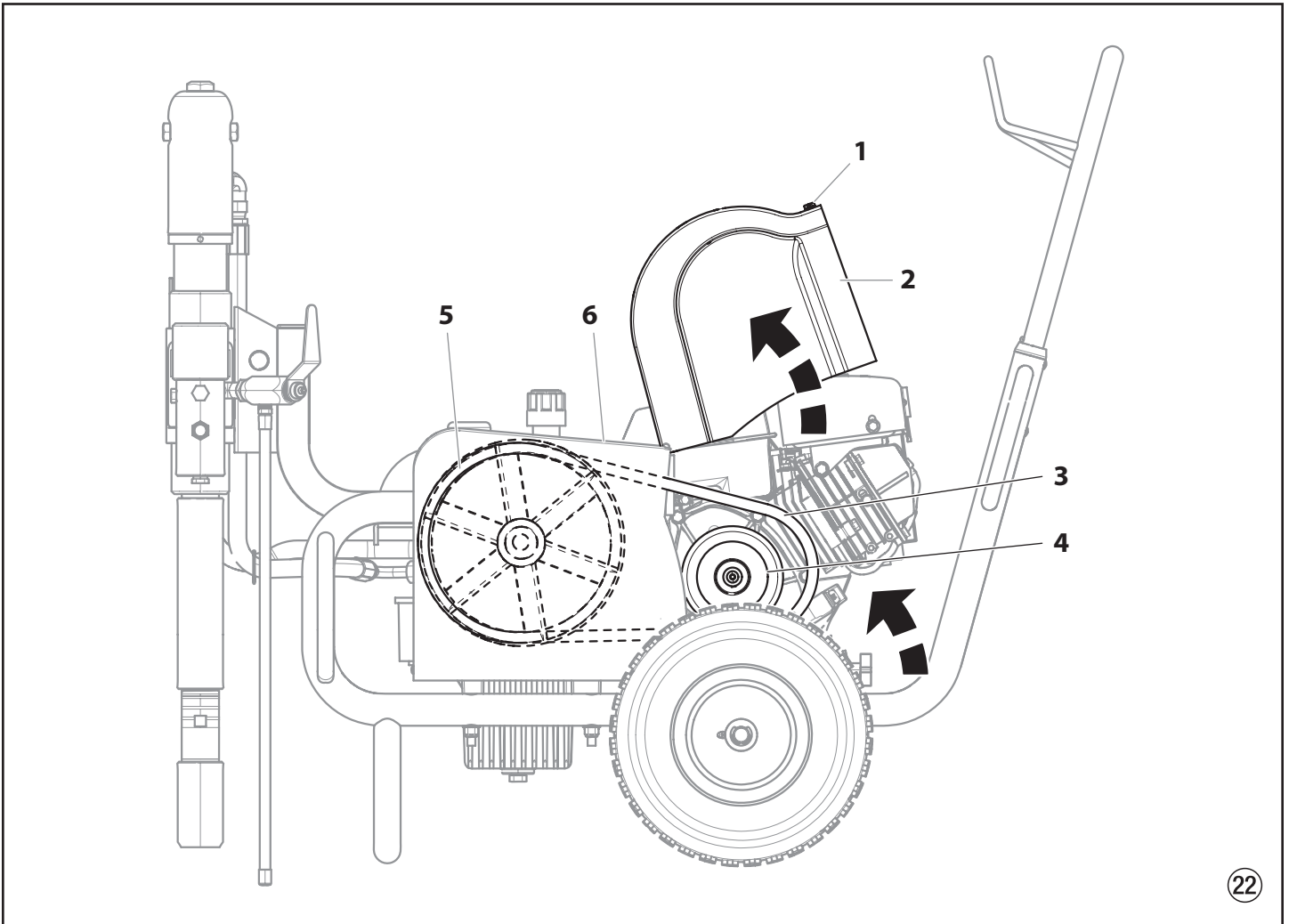


**Attention**

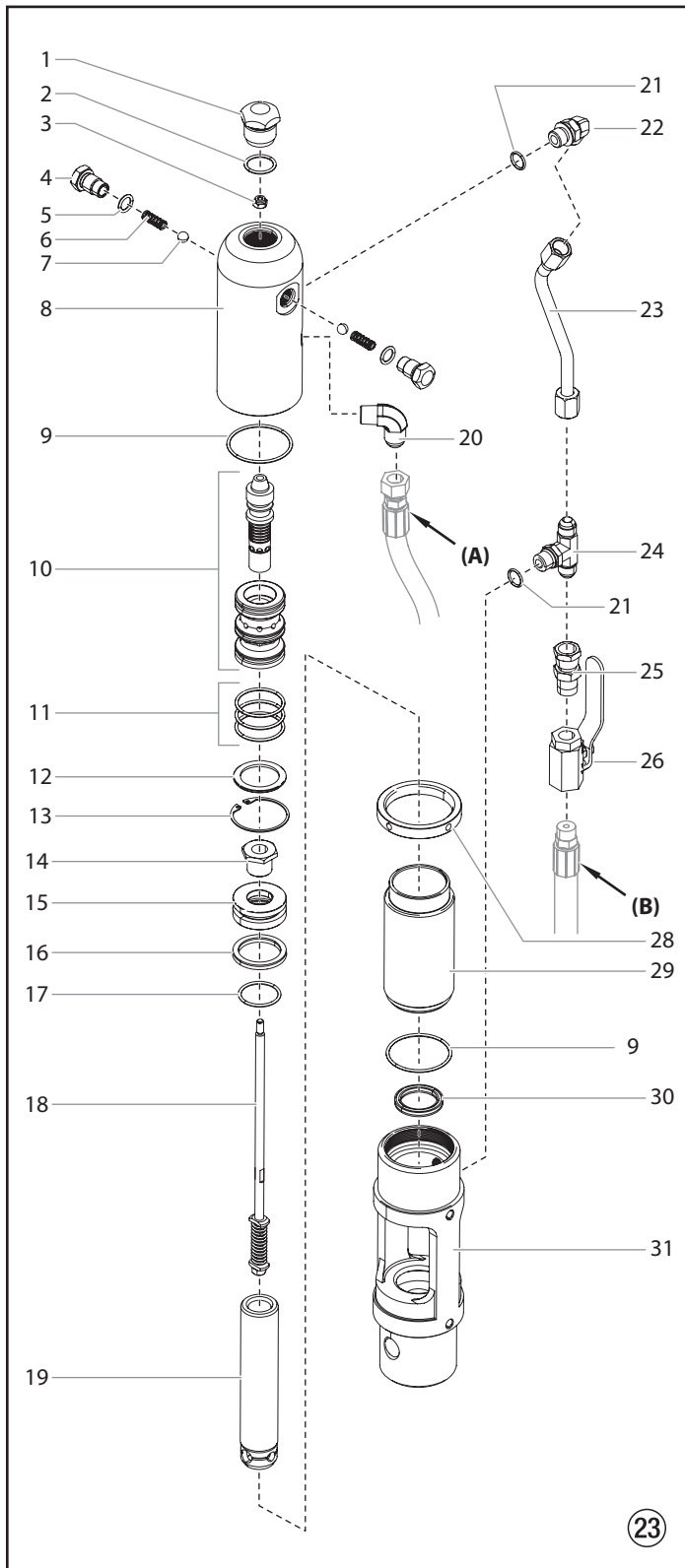
**Assurez-vous que la courroie n'est pas pincée ou tordue de quelque façon que ce soit une fois que le moteur à essence/électrique est remis en place.**

- e. Fermez le protège-courroie (2) et serrez le bouton du protège-courroie (1).





## 2.3 Entretien du moteur hydraulique (fig. 22)



Consultez la procédure « Installation du raccord SAE du joint torique » à la fin de la section afin d'obtenir les directives d'installation de les articles 22 et 24.

Réalisez cette procédure au moyen des pièces nécessaires fournies dans le kit d'entretien du moteur – mineur (n° de pièce 235-050). Si le moteur hydraulique est prêt à fonctionner, démarrez la machine et placez la tige du piston (19) dans sa position la plus haute.



L'entretien du moteur hydraulique doit uniquement s'opérer dans un lieu propre, dénué de toute poussière. Toute poussière ou particule métallique laissée dans le moteur ou s'y introduisant lors du remontage peut endommager les pièces critiques et affecter la durée de vie et la garantie de l'appareil. Toutes les pièces doivent être inspectées afin d'assurer une propreté absolue.

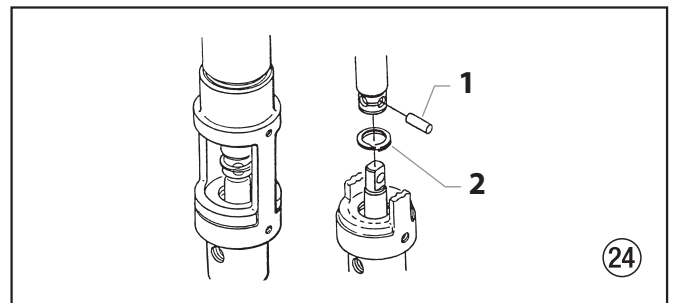
### Démontage du moteur hydraulique

- Déconnectez le tuyau de pression (B) du coude situé à l'arrière de la pompe hydraulique.
- Retirez les deux vis de montage et les deux rondelles de blocage qui relient l'unité moteur/pompe au support de la pompe du chariot.
- Placez l'unité moteur/pompe dans un étau, en la maintenant fortement par le bloc moteur/pompe (31).
- Retirez la fiche de la tête du cylindre (1).
- Desserrez la bague de retenue (28) à l'aide d'une tricoise et détachez l'écrou de retenue du tube du raccord en T (24). Desserrez l'écrou de retenue du tube situé sur le coude (22). Faites glisser l'écrou vers le bas. Retirez le tube moteur (23). Ôtez doucement la tête du cylindre (8) et levez-la assez haut au-dessus du cylindre (29) pour atteindre la tige de soupape (18) avec les pinces de l'étau.
- La tige du piston (19) doit se situer à proximité du haut de sa course pour le démontage. Il peut s'avérer utile d'utiliser un conducteur en bois ou en nylon pour pousser la tige du piston jusqu'à sa position la plus haute.
- Saisissez fortement la tige de déclenchement avec les pinces de l'étau puis retirez l'écrou de blocage souple FlexLoc (3) du dessus de la tige de manœuvre (18). Veillez à ce que le tiroir (10) ne tombe pas. La tête du cylindre (8) peut désormais être ôtée par le haut. Dégagez le cylindre (29) du bloc moteur/pompe (31).



Une bague de retenue supplémentaire (28) peut être utilisée pour joindre les deux bagues de retenue sur le cylindre et une clé à tuyau peut être utilisée pour dégager le cylindre (29) du bloc moteur/cylindre (31).

- Pour retirer la goupille de connexion (fig. 24, pos. 1), faites glisser la bague de retenue (2) vers le bas à l'aide d'un petit tournevis puis ôtez la goupille de connexion en la poussant.



- Retirez la tige du piston du bloc moteur/pompe (31).
- Retirez le joint de tige (30) en faisant particulièrement attention à ne pas rayer la rainure pour joint du bloc moteur/pompe (31).
- Placez la vis de retenue du piston (14) sur la tige du piston dans un étau. Faites glisser une longue barre par le trou situé à la base de la tige du piston pour faire lever, puis dégagez la tige du piston de la vis de retenue du piston.
- Ôtez le piston (19) et retirez la tige de déclenchement en la soulevant (18).
- Retirez le joint du piston (16) et le joint torique (17).
- Retirez les dispositifs de retenue du déclenchement (4), les ressorts de déclenchement (6), et les billes (7) de la tête du cylindre (8). Retirez les joints toriques (5) des dispositifs de retenue du déclenchement (4).

15. Ôtez la bague de retenue (13) et le dispositif de retenue du manchon (12). Faites doucement sortir l'ensemble tiroir/manchon (10) de la tête du cylindre (8) à l'aide d'une tige en bois ou en nylon.
16. Inspectez la tige du piston (19) et le cylindre (29) pour détecter toute éventuelle usure, rayure ou entaille. Remplacez-les s'ils sont endommagés.
17. Inspectez la soupape à tiroir (10) pour surveiller l'usure. Remplacez si nécessaire. La soupape à tiroir doit pouvoir bouger doucement et librement sans forcer en demeurant dans un plan vertical. Si ce n'est pas le cas, le moteur peut caler.

### Remontage du moteur hydraulique

1. Tiroir/manchon séparé (10). Placez les joints toriques (11) sur le manchon. Lubrifiez les joints toriques avec du liquide hydraulique. Enfoncez doucement le manchon dans la tête du cylindre (8), le côté le plus plat du manchon vers l'extérieur. Utilisez une tige en nylon pour enfoncer le manchon jusqu'à ce qu'il atteigne une profondeur correcte. N'utilisez pas d'autre type d'outil qui pourrait endommager le manchon ou encore laisser des particules ou des résidus sur le manchon. Installez le tiroir dans le haut de la tête du cylindre, dans le manchon.



**N'utilisez pas le lubrifiant Piston Lube destiné aux garnitures de la pompe. Il s'agit d'un solvant qui pourrait gravement endommager les joints et les joints toriques du moteur hydraulique.**

2. Installez les joints toriques (5) sur les dispositifs de retenue de la course (4). Installez les billes de retenue de la course (7) puis les ressorts (6) qui, une fois installés, maintiendront le tiroir/manchon (10) en place pour le montage.
3. Installez la bague de retenue du manchon (12) puis le circlip (13) dans la tête du cylindre (8) ; ce dernier permettra de maintenir le manchon de la soupape. Installez le joint torique (9) dans la rainure pour joint torique de la tête du cylindre.
4. Remplacez le joint inférieur (30) du bloc moteur/pompe (31). Assurez-vous que la portion ouverte du siège soit bien tournée vers le haut (V). Ce joint ne requiert pas d'outil particulier.
5. Placez la tige du piston (19) dans l'étau. Inspectez la tige de la soupape (18) en vue de détecter tout dégât éventuel. Assurez-vous que l'écrou de blocage situé au bas de la tige de la soupape (20) est bien fixé. Ne l'enlevez PAS. Ensuite, insérez dans la tige du piston (19) comme le montre l'illustration. Installez le joint torique (17), en le lubrifiant bien, et remettez le piston (15) sur la tige du piston (19). Versez une goutte de Loctite bleue sur la vis de retenue du piston (14). Serrez la vis de retenue du piston jusqu'à ce que le piston soit bien en place. Vérifiez la tige de la soupape (18) pour observer l'action normale du ressort à ce moment là.
6. Installez le joint du piston (16), lèvres vers le bas. Installez soigneusement le joint torique (17). Étendez la bague et adaptez-la pour l'installer.
7. Le bloc moteur/pompe (31) toujours dans l'étau, installez le joint inférieur (30) en le poussant vers sa rainure à l'aide d'une tige dont la taille est adaptée. Terminez ensuite l'installation avec les doigts. Aucun outil n'est nécessaire. Ne tordez pas le joint.
8. Pré-lubrifiez le piston et la tige de soupape avec un fluide hydraulique (Titan Coolflo, n° de pièce 430-361). Installez la tige du piston (19) dans le bloc moteur/pompe (31) en poussant doucement et en faisant tourner pour que la tige du piston rentre bien dans le joint (30).

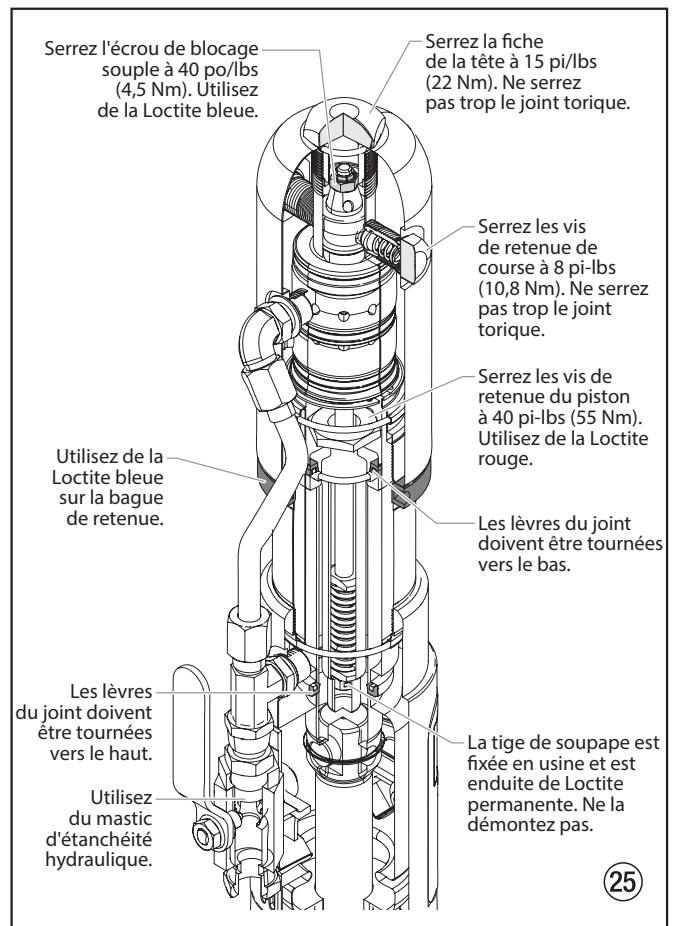


**Assurez-vous qu'il n'y a pas de bords coupants au bas de la tige du piston (19) qui pourraient endommager le joint du piston pendant l'installation sur le bloc moteur/pompe (31).**

9. Remplacez la goupille de la tige de connexion et la bague de retenue.
10. Installez le joint torique (9) sur la paroi du cylindre. Lubrifiez la bague et la paroi intérieure. En maintenant fortement la tige du piston, le cylindre peut être doucement guidé autour du joint du piston au moyen d'un maillet en caoutchouc. Vissez fermement le cylindre dans le bloc moteur/pompe (31).
11. Soulevez la tige du piston (19) en haut et vissez complètement la bague de retenue (28) jusqu'aux filetages supérieurs du cylindre (29).

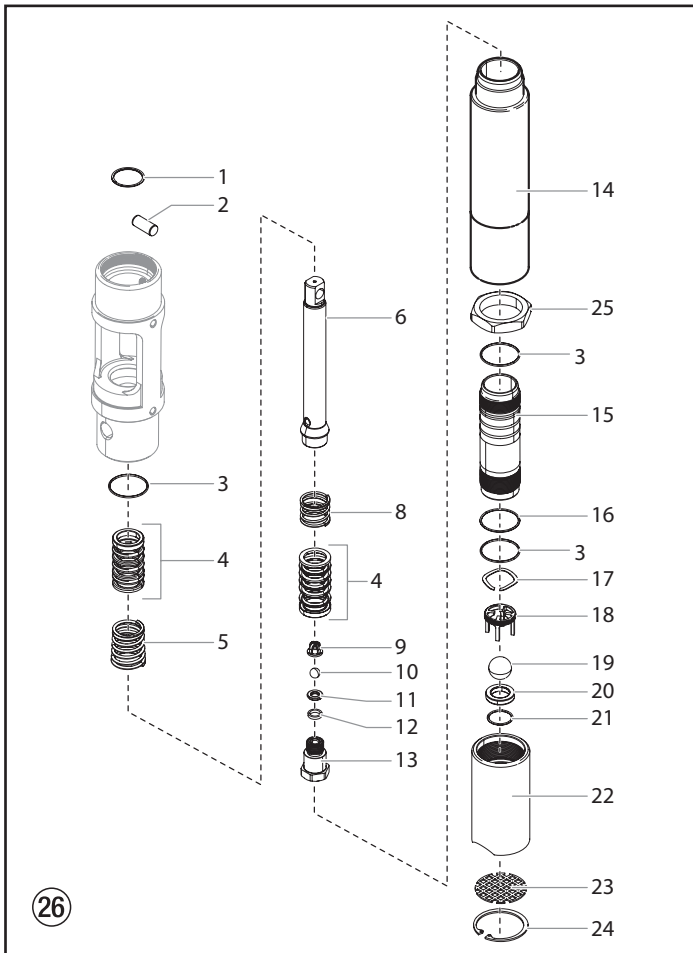
12. Tirez sur la tige de soupape (18) vers le haut aussi loin que possible et saisissez-la avec les pinces de l'étau. Installez ensuite la tête du cylindre (8), déjà assemblée, sur la tige de soupape jusqu'à ce que les filetages de la tige de soupape passent par le haut du tiroir/manchon (10). Les filetages de la tige de soupape doivent être propres et dénués de toute trace d'huile. Placez une goutte de Loctite bleue sur les filetages de l'écrou de blocage souple (3) et l'écrou fileté sur la tige de soupape en position totalement serrée (ne serrez pas trop) tout en maintenant la tige de soupape en dessous au moyen des pinces de l'étau.
13. Vissez la tête du cylindre (8) vers le bas sur le cylindre (29) puis vers l'arrière juste assez pour remonter les raccords hydrauliques et le tube moteur (23). Serrez la bague de retenue avec une tricoise pour maintenir la tête du cylindre en place.
14. Installez un joint torique (2) sur la fiche de la tête du cylindre (1). Serrez.

### Coupage du moteur hydraulique

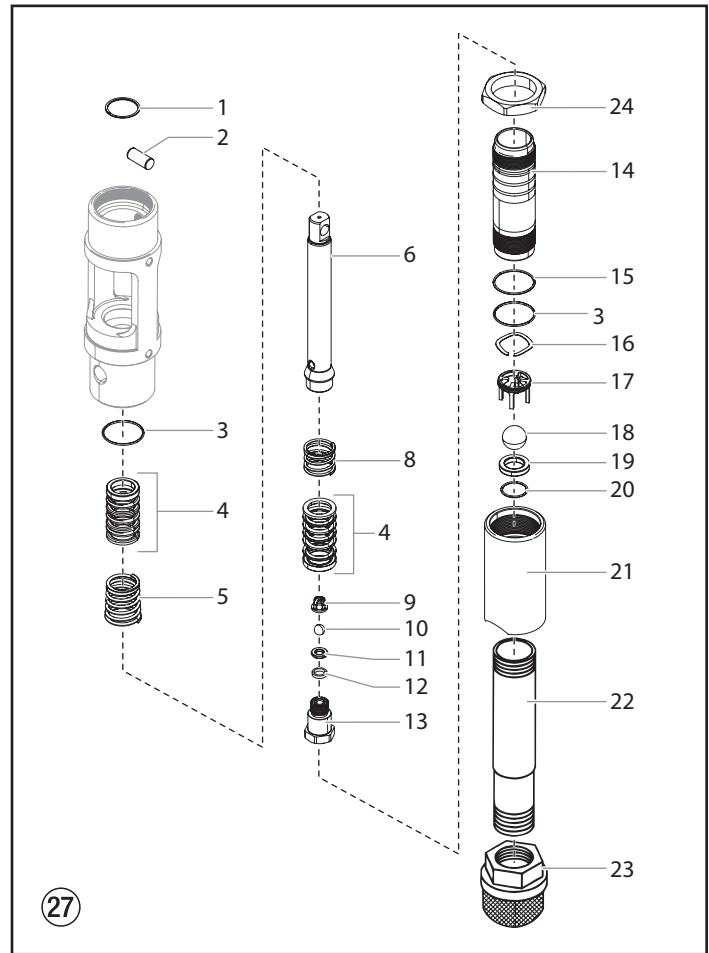


## 2.4 Maintenance de la section des liquides

### PT6900 Plus DI



### PT12000 Plus DI



Attention

L'utilisation de pièces de rechange autres que celles fournies pas Titan peut entraîner l'annulation de la garantie. Demandez des pièces d'origine de Titan pour une meilleure maintenance. Ces pompes doivent être régulièrement entretenues après 1 000 heures d'utilisation environ. Un entretien précoce est nécessaire s'il y a des fuites importantes dans la garniture supérieure ou si la course ascendante ou descendante de la pompe devient trop rapide. L'utilisation du lubrifiant Piston Lube de Titan (n° de pièce 314-480) est conseillée pour lubrifier la garniture supérieure. Ne remplacez pas ce lubrifiant par de l'huile, de l'eau ou un solvant pour lubrifier la garniture supérieure.



Les numéros entre parenthèses font référence aux numéros des pièces sur les illustrations de la section des liquides. Si deux numéros sont indiqués, le premier représente le numéro de la pièce pour le PT6900 Plus DI et le deuxième représente le numéro de la pièce pour le PT12000 Plus DI.

### Démontage de la section des liquides

- 1a. **PT6900 Plus DI** - Retirer le logement de clapet de pied (22), le cylindre de pompe (15) et l'entretoise du cylindre (14) à l'aide d'une clé à courroie.
- 1b. **PT12000 Plus DI** - Retirez le tube du siphon (22). Dévissez le logement du clapet de pied (21) et le cylindre de la pompe (14) avec une clé à sangle.



Si le corps de pompe (15, 14) ne peut pas être enlevé à l'aide d'une clé à courroie, utilisez le écrou de démontage (25, 24) pour l'enlever du boîtier de la pompe.

2. Faites glisser la bague de retenue (1) vers le haut au moyen d'un petit tournevis puis extrayez la goupille de connexion (2).
3. Enfoncez la tige de déplacement (6) dans la cavité inférieure du bloc moteur/pompe.
4. Retirez le joint torique en PTFE (3), le ressort de garniture supérieure (5) et la garniture supérieure (4) du bloc moteur/pompe.
5. Tenez la tige de déplacement (6) dans un étau sur les bords en haut de la tige de déplacement et enlevez le logement de la soupape de sortie (13) avec une clé tout en maintenant la tige de déplacement à l'horizontale avec un support en bois, si cela est nécessaire. Démontez la rondelle d'étanchéité (12), le siège de soupape de sortie (11), la bille de soupape de sortie (10), la cage de soupape de sortie (9), la garniture inférieure (4), et le ressort de garniture inférieure (8).
6. A l'aide d'une barre d'extension 1/2" attachée à un cliquet guide 1/2", insérez l'extrémité de la barre d'extension dans l'ouverture carrée de la cage du clapet de pied (18,17) à l'intérieur du logement du clapet de pied (22, 21). Dévissez et retirez la cage du clapet de pied avec la rondelle ondulée (17,16) du logement du clapet de pied.
7. Retirez le joint torique en PTFE (3), la bille du clapet de pied (19,18), le siège du clapet de pied (20,19) et le joint torique du siège (21,20) du logement du clapet de pied (22,21).
8. Retirez le joint torique (16,15) du cylindre de la pompe (15,14).

## Remontage de la section des liquides



**Utilisez du ruban en PTFE sur tous les raccords de tuyaux filetés.**

1. Placez un nouveau joint torique du siège (21,20) dans la rainure en bas du logement du clapet de pied (22,21).
2. Vérifiez l'usure du siège du clapet de pied (20,19). Si un côté est usé, retournez le siège du côté qui n'est pas usé. Si les deux côtés sont usés, installez un nouveau siège. Placez le nouveau siège, ou le siège retourné (côté usé vers le bas) dans l'alésage au bas du logement du clapet de pied (22,21).
3. Placez une nouvelle bille de clapet de pied (19,18) sur le siège du clapet de pied (20,19). A l'aide d'une barre d'extension 1/2" attachée à un cliquet guide 1/2", insérez l'extrémité de la barre d'extension dans l'ouverture carrée de la cage du clapet de pied (18,17) et vissez la cage du clapet de pied à l'intérieur du logement du clapet de pied (22,21). Serrez la cage à 240 po/lbs (20 pi./lbs.).
4. Placez la rondelle ondulée (17,16) en haut de la cage de clapet de pied (18, 17).
5. Insérez un nouveau joint torique en PTFE (3) dans la rainure du logement du clapet de pied (22,21). Lubrifiez le joint torique avec de l'huile ou de la graisse.
6. Après avoir trempé les garnitures en cuir dans l'huile (huile de lin de préférence), rassemblez la garniture inférieure (4). Placez la garniture inférieure sur le logement de la soupape de sortie (13) avec la pointe des garnitures en « V » vers le bas, en direction de l'hexagonal du logement de la soupape de sortie.



**Toutes les garnitures en cuir doivent être trempées dans de l'huile (CoolFlo) pendant 15 à 20 minutes avant d'être installées. Trempier les garnitures trop longtemps causera le gonflement des garnitures. Le remontage sera par conséquent plus difficile.**

7. Vérifiez l'usure du siège de la soupape de sortie (11). Si un côté est usé, tournez le siège du côté qui n'est pas usé. Si les deux côtés sont usés, utilisez un nouveau siège. Insérez la cage de soupape de sortie (9), la bille de la soupape de sortie (10), le siège, qu'il soit nouveau ou retourné (côté usé le plus éloigné de la bille) et une nouvelle rondelle d'étanchéité (12) dans la tige de déplacement (6).
8. Nettoyez les filetages du logement de la soupape de sortie (13) et enduisez les filetages de Loctite bleue n° 242. Assurez-vous qu'il n'y a pas de Loctite ailleurs que sur les filetages.
9. Placez le ressort de garniture inférieure (8) sur le logement de soupape de sortie (13).
10. Vissez la tige de déplacement (6) et le logement de la soupape de sortie (13) ensemble. Vissez dans un étau à 50 pi/lbs. (68 Nm).
11. Insérez le joint torique en PTFE (3) dans la rainure supérieure du bloc moteur/pompe.
12. Insérez la garniture supérieure (4) dans le bloc moteur/pompe avec la pointe des garnitures en « V » vers le haut en direction du moteur.



**Les garnitures doivent être trempées dans l'huile (CoolFlo) avant d'être installées.**

13. Placez le ressort de garniture supérieure (5) dans le bloc moteur/pompe avec la petite extrémité conique vers le haut, en direction du bloc moteur/pompe.
14. Insérez la tige de déplacement (6) par les garnitures supérieures du bloc moteur/pompe.
15. Alignez les trous dans la tige de déplacement (6) et la tige du piston hydraulique puis insérez la goupille de connexion (2). Remplacez la bague de retenue (1) sur la goupille de connexion.
- 16a. **PT6900 DI** - Visser le filetage court de l'entretoise du cylindre (14) dans l'ensemble du moteur et de la pompe et serrer à l'aide d'une clé à courroie. Visser le filetage court du cylindre de pompe (15) dans l'entretoise du cylindre (14) avec

l'extrémité moletée du cylindre de pompe vers l'entretoise du cylindre, et serrer à l'aide d'une clé à courroie.

- 16b. **PT12000 DI** - Orientez le cylindre (14) avec la partie moletée et l'écrou de retrait en haut, dans le bloc pompe et serrez avec une clé à sangle.



Attention

**L'écrou (25, 24) doit être maintenu au fond sur les filets une fois le cylindre (15, 14) serré. N'utilisez pas l'écrou pour le coincer contre le bloc ou des dommages se produiront pendant l'utilisation. Cet écrou doit être utilisé uniquement pour faciliter le démontage du cylindre.**

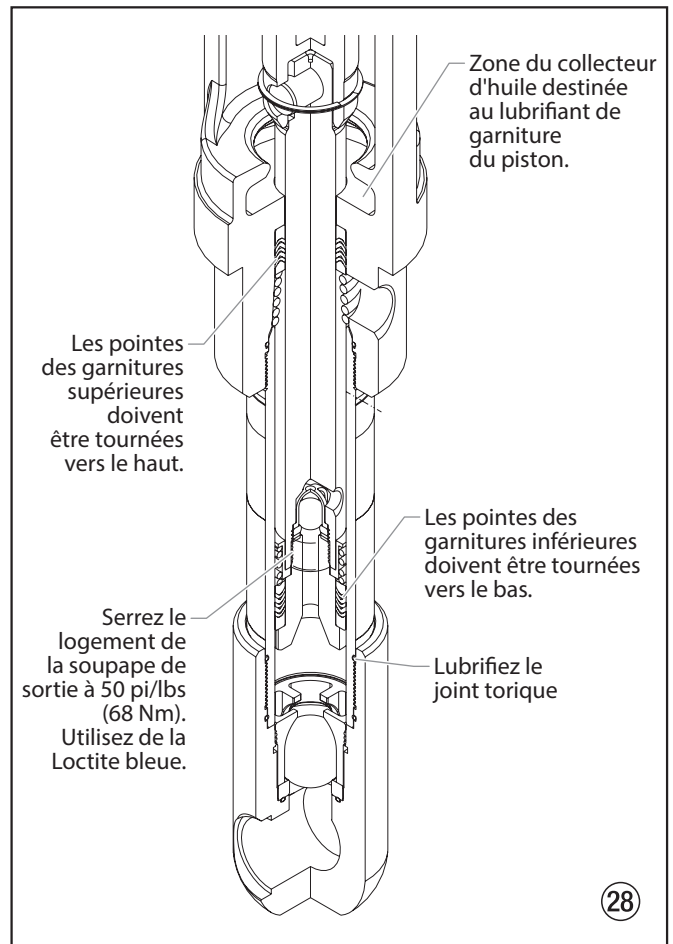
17. Placez le joint torique (16,15) dans la rainure supérieure du cylindre de la pompe (15,14).
18. Vissez le logement du clapet de pied (22,21) sur le cylindre de la pompe (15,14), serrez avec une clé à sangle.
19. **PT12000 DI** - Installer le tube-siphon (22).



**Il n'est pas nécessaire de trop visser le logement du clapet de pied. Les joints toriques servent de joints sans serrage excessif. Il suffit d'engager totalement le filetage. Le logement du clapet de pied peut être tourné vers l'arrière d'un demi-tour pour placer le tuyau correctement.**

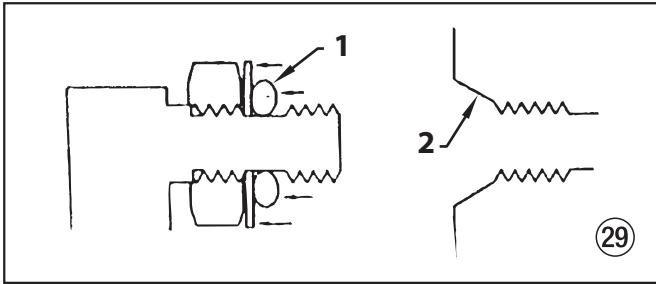
**PT12000 DI - Pour fixer le tube du siphon, il est très important que les filetages du tube du siphon pénètrent facilement dans le logement du clapet de pied avec les raccords du tube en PTFE équipés et recouverts de mastic d'étanchéité pour empêcher toute fuite d'air.**

## Coupage de la section des liquides

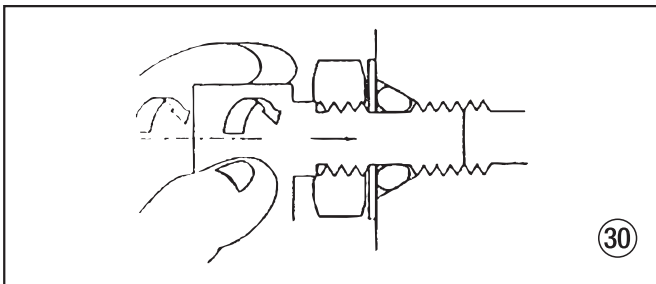


## 2.5 Installation du raccord SAE du joint torique

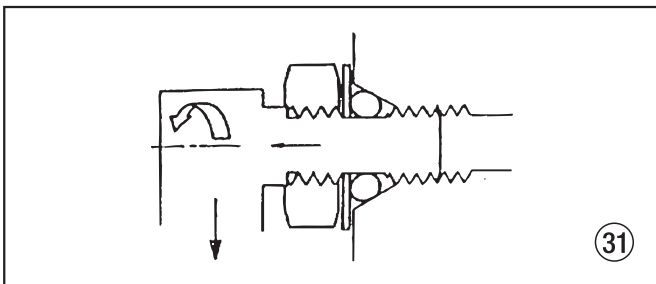
1. Tirer la rondelle et le joint torique vers l'arrière le plus possible.
2. Lubrifiez le joint torique (1) et l'ouverture (2).



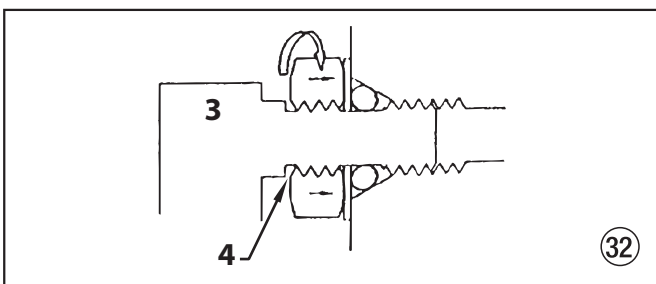
3. Serrez le raccord jusqu'à ce que la rondelle pousse le joint torique dans l'ouverture et que ce dernier soit plat contre l'ouverture. (Ne le serrez pas davantage! - serrez uniquement le raccord à la main afin de comprimer le joint torique dans l'ouverture!)



4. Reculez le raccord d'un tour complet au plus afin de l'aligner, au besoin.



5. Serrez l'écrou au couple en retenant le raccord (3). Cela devrait exposer un espace (4) derrière l'écrou qui peut agir comme indicateur que le raccord est bien fixé. (Il s'agit d'une caractéristique d'un type précis de ce raccord précis uniquement - qui se visse dans la tête du cylindre. Les autres raccords, tels que ceux utilisés sur la pompe hydraulique, s'assemblent de la même manière, mais n'ont pas l'indicateur.)



Évitez de trop serrer le raccord. Cela peut plier la rondelle qui fera extruder le joint torique.

Évitez de ne pas trop serrer le raccord. Le joint torique pourrait se couper sur le filetage du raccord.

## 3. Dépannage

### 3.1 Pistolet sans air

Problème	Cause	Solution
A. Le pistolet projette par erreur	<ol style="list-style-type: none"> <li>1. Présence d'air dans le circuit</li> <li>2. Pistolet sale</li> <li>3. Déréglage de l'aiguille</li> <li>4. Siège de soupape endommagé ou fêlé</li> </ol>	<ol style="list-style-type: none"> <li>1. Inspectez les raccords pour détecter une éventuelle fuite d'air.</li> <li>2. Démontez et nettoyez.</li> <li>3. Inspectez et réglez.</li> <li>4. Inspectez et remplacez.</li> </ol>
B. Le pistolet ne s'arrête pas	<ol style="list-style-type: none"> <li>1. Aiguille &amp; siège endommagés ou usés</li> <li>2. Déréglage de l'aiguille</li> <li>3. Pistolet sale</li> </ol>	<ol style="list-style-type: none"> <li>1. Remplacez.</li> <li>2. Réglez.</li> <li>3. Nettoyez.</li> </ol>
C. Le pistolet ne pulvérise pas	<ol style="list-style-type: none"> <li>1. Absence de peinture</li> <li>2. Filtre ou embout obstrués</li> <li>3. Aiguille du pistolet endommagée</li> </ol>	<ol style="list-style-type: none"> <li>1. Vérifiez l'alimentation en fluide.</li> <li>2. Nettoyez.</li> <li>3. Remplacez.</li> </ol>

### 3.2 Section des liquides

Problème	Cause	Solution
A. La pompe ne libère du produit que lors de la course ascendante ou monte lentement et descend rapidement (généralement appelé plongée descendante).	<ol style="list-style-type: none"> <li>1. La bille du clapet de pied inférieur n'est pas stable à cause des dépôts de déchets ou de l'usure</li> <li>2. Produit trop visqueux pour être aspiré.</li> <li>3. Présence d'une fuite d'air dans le siphon ou tuyau du siphon endommagé. Le siphon peut être trop petit pour les produits denses.</li> </ol>	<ol style="list-style-type: none"> <li>1. Ôtez le clapet de pied. Nettoyez et inspectez. Testez le clapet de pied en le remplissant d'eau ; si la bille tombe pour sceller le siège, remplacez la bille.</li> <li>2. Dilution du produit – contactez le fabricant pour connaître les procédures de dilution appropriées.</li> <li>3. Serrez tous les raccords situés entre la pompe et le réservoir de peinture. S'ils sont endommagés, remplacez-les. Passez à un siphon de diamètre plus large.</li> </ol>
B. La pompe ne libère du produit que dans sa course descendante ou monte rapidement et descend lentement.	<ol style="list-style-type: none"> <li>1. La bille supérieure n'est pas stable à cause des dépôts de déchets ou de l'usure</li> <li>2. La garniture inférieure est usée.</li> </ol>	<ol style="list-style-type: none"> <li>1. Vérifiez le siège supérieur et la bille avec de l'eau. Si la bille ne scelle pas l'ensemble, remplacez le siège.</li> <li>2. Remplacez l'ensemble des garnitures si elles sont usées.</li> </ol>
C. La pompe monte et descend rapidement, en libérant du produit.	<ol style="list-style-type: none"> <li>1. Le réservoir de produit est vide ou le produit est trop épais pour s'écouler dans le tuyau du siphon.</li> <li>2. La bille inférieure est collée au siège du clapet de pied.</li> <li>3. Le tuyau du siphon est tordu ou dévissé.</li> </ol>	<ol style="list-style-type: none"> <li>1. Remplissez de nouveau produit. Si elle est trop épaisse, retirez le tuyau du siphon, immergez la section des liquides dans le produit et amorcez la pompe. Ajoutez du diluant au produit. Installez un siphon plus grand. Ouvrez la soupape de décharge pour évacuer l'air et redémarrez la pompe.</li> <li>2. Ôtez le clapet de pied. Nettoyez la bille et le siège.</li> <li>3. Resserrez.</li> </ol>
D. La pompe monte et descend lentement lorsque le pistolet vaporisateur est éteint.	<ol style="list-style-type: none"> <li>1. Les raccords sont dévissés. La soupape de décharge est partiellement ouverte ou usée. Le siège des garnitures inférieures est usé.</li> <li>2. La bille supérieure et/ou la bille inférieure ne sont pas stables.</li> </ol>	<ol style="list-style-type: none"> <li>1. Vérifiez tous les raccords entre la pompe et le pistolet. Resserrez si nécessaire. Si du produit s'écoule du tuyau de décharge, fermez la soupape de décharge ou remplacez-la le cas échéant. Si aucune de ces solutions ne fonctionne, remplacez la garniture inférieure.</li> <li>2. Remettez la bille en place en la nettoyant.</li> </ol>
E. Le pistolet ne dispose pas d'une pression du liquide suffisante.	<ol style="list-style-type: none"> <li>1. L'embout pulvérisateur est usé.</li> <li>2. Le filtre de sortie ou le filtre du pistolet sont obstrués.</li> <li>3. Tension faible et/ou intensité de courant électrique inappropriée.</li> <li>4. Taille ou longueur du tuyau trop petite ou trop grande.</li> </ol>	<ol style="list-style-type: none"> <li>1. Remplacez.</li> <li>2. Nettoyez ou remplacez le filtre.</li> <li>3. Vérifiez le circuit électrique. Corrigez si besoin est.</li> <li>4. Augmentez le diamètre du tuyau afin de minimiser la chute de pression le long du tuyau et/ou réduisez la longueur du tuyau.</li> </ol>
F. La pompe broute pendant la course ascendante ou descendante.	<ol style="list-style-type: none"> <li>1. Le solvant a fait gonfler la garniture supérieure.</li> </ol>	<ol style="list-style-type: none"> <li>1. Remplacez les garnitures.</li> </ol>

### 3.3 Moteurs hydrauliques

#### Problème

#### Cause

#### Solution

<p>A. Le moteur à huile cale en bas (pas de problème de surchauffe)</p>	<p>1. Le siège du piston de la pompe des fluides n'est pas fileté.</p> <p>2. La soupape est grippée ou le sélecteur de la tige de déclenchement du moteur à huile est défectueuse.</p>	<p>1. Si la tige de connexion est bonne, retirez la bougie de la tête du cylindre et ôtez la soupape en tirant vers le bas. Remplacez la bougie et démarrez la machine. Si l'appareil effectue une course ascendante et s'arrête de nouveau en bas, alors le problème provient du siège du piston sur la pompe des liquides. Vérifiez le siège du piston. Réparez-le ou remplacez-le si cela s'avère nécessaire. Si le siège du piston est en bon état et que le problème persiste, vérifiez le moteur à huile.</p> <p>2. Retirez la soupape et veillez à détecter les éventuelles fissures et à éviter qu'elle ne fonctionne par à-coups lorsqu'elle glisse vers le haut et vers le bas. Dans ce cas, remplacez la soupape et le tiroir. En pareil cas, vérifiez la tige de déclenchement et le tiroir afin de vérifier qu'ils ne sont pas disjoints. Vérifiez la tige de déclenchement n'est pas disjointe.</p>
<p>B. Le moteur à huile cale en haut (pas de problème de surchauffe)</p>	<p>1. La soupape est grippée.</p> <p>2. Le dispositif de retenue du ressort est cassé (tige de soupape)</p> <p>3. La tige de soupape ou le ressort est endommagé.</p> <p>4. Présence d'air dans le moteur hydraulique.</p> <p>5. Présence d'air dans la pompe des fluides.</p>	<p>1. Retirez la soupape et veillez à détecter les éventuelles fissures et à éviter qu'elle ne fonctionne par à-coups lorsqu'elle glisse vers le haut et le bas. Dans ce cas, remplacez la soupape et le tiroir.</p> <p>2. Remplacez la tige de soupape.</p> <p>3. Remplacez la tige de soupape.</p> <p>4. Réglez de nouveau la soupape. Purgez l'air, généralement en effectuant un cycle à basse pression du moteur et de la pompe pendant 5-10 minutes. Vérifiez l'origine de l'infiltration d'air.</p> <ul style="list-style-type: none"> <li>• Les raccords du réservoir sont desserrés.</li> <li>• Les raccords de la pompe hydraulique sont desserrés.</li> <li>• Les raccords du tuyau sont desserrés.</li> <li>• Insuffisance d'huile dans le réservoir.</li> </ul> <p>5. Le moteur peut caler en haut lorsque la pompe aspire de l'air. Réinitialisez la soupape. Evitez toute infiltration d'air dans la pompe des fluides.</p>
<p>C. Faible pression (adéquate sur course descendante, lente sur course ascendante – forte chaleur).</p> <p>NOTA: Le moteur peine en course ascendante et cale en course descendante.</p>	<p>1. Le joint d'étanchéité du piston est endommagé.</p> <p>2. Le piston est fêlé.</p>	<p>1. Avant de démonter le moteur à huile, mettez la machine en route. Effectuez un cycle de pompage sous pression, touchez le cylindre hydraulique et la tête du cylindre pour voir s'ils se réchauffent. Cela vous permettra de déterminer si le joint du piston a fondu ou si l'écrou du piston est endommagé. Si la tête est chaude, vérifiez les joints toriques de la soupape à tiroir.</p> <p>2. Démontez le moteur à huile et vérifiez l'alésage du cylindre, les joints du piston et l'écrou du piston. Faites particulièrement attention à l'écrou du piston. Il peut présenter une fissure interne sans que rien n'y paraisse.</p>
<p>D. Faible pression (pour les deux courses – forte chaleur)</p> <p>NOTA: Le moteur peine sur les deux courses.</p>	<p>1. Les joints toriques centraux de la soupape à tiroir sont endommagés.</p> <p>2. La pompe hydraulique est défaillante.</p>	<p>1. Avant de démonter le moteur à huile, mettez la machine en route. Effectuez un cycle de pompage sous pression, touchez la tête pour voir si elle se réchauffe. Cela vous permettra de déterminer si le joint torique central de la soupape à tiroir a fondu. S'il est chaud, retirez et remplacez le joint torique.</p> <p>2. Remplacez la pompe hydraulique.</p>



### 3.4 Répartition de la pulvérisation

**Problème**

A. Trainées



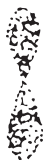
**Cause**

1. Sortie de liquide incorrecte

**Solution**

1. Le liquide ne s'atomise pas correctement  
 Augmentez la pression du liquide. Changez pour un embout au diamètre plus petit. Réduisez la viscosité du liquide. Réduisez la longueur du tuyau. Nettoyez le pistolet et le(s) filtre(s). Réduisez le nombre de pistolets utilisant la pompe.

B. Sablier



1. Sortie de liquide incorrecte

1. Cf. ci-avant.

C. Déformation



1. L'embout de la buse est obstrué ou usé

1. Nettoyez ou remplacez l'embout.

D. Pulvérisation qui s'étend et se rétracte (surtension)



1. Fuite d'aspiration  
 2. Sortie de liquide par à-coups

1. Détectez toute fuite éventuelle du tuyau d'aspiration.  
 2. Changez pour un embout au diamètre plus petit. Installez un amortisseur de pulsations dans le circuit ou purgez l'appareil. Réduisez le nombre de pistolets utilisant la pompe. Débloquez le circuit, nettoyez le filtre de l'embout si le filtre est utilisé.

E. Pulvérisation arrondie



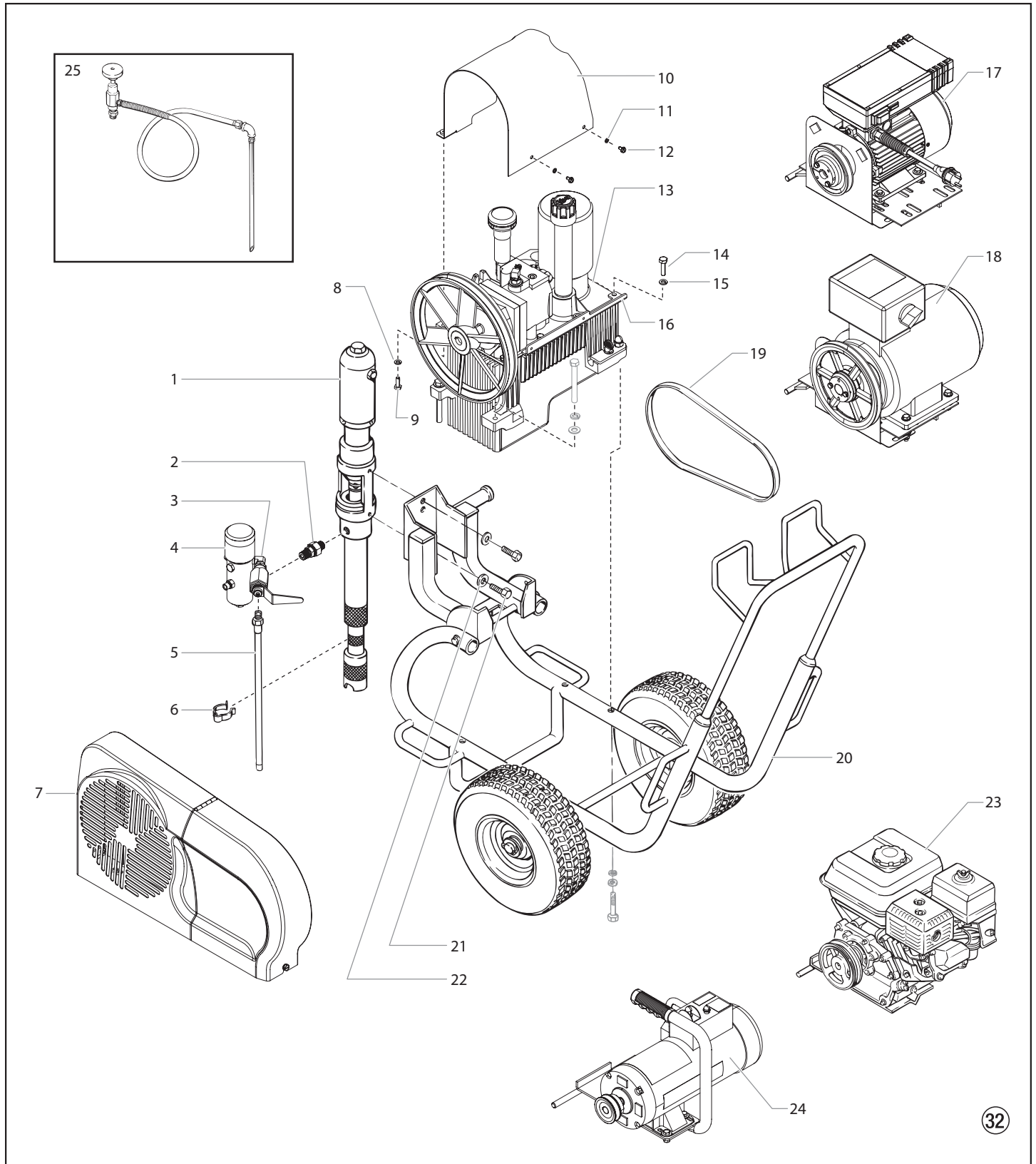
1. Embout usé  
 2. Liquide trop dense pour l'embout

1. Remplacez l'embout.  
 2. Augmentez la pression. Diluez le produit. Changez l'embout de la buse.

Ⓒ Main Assembly

Ⓓ Hauptbaugruppe

Ⓕ Ensemble principal



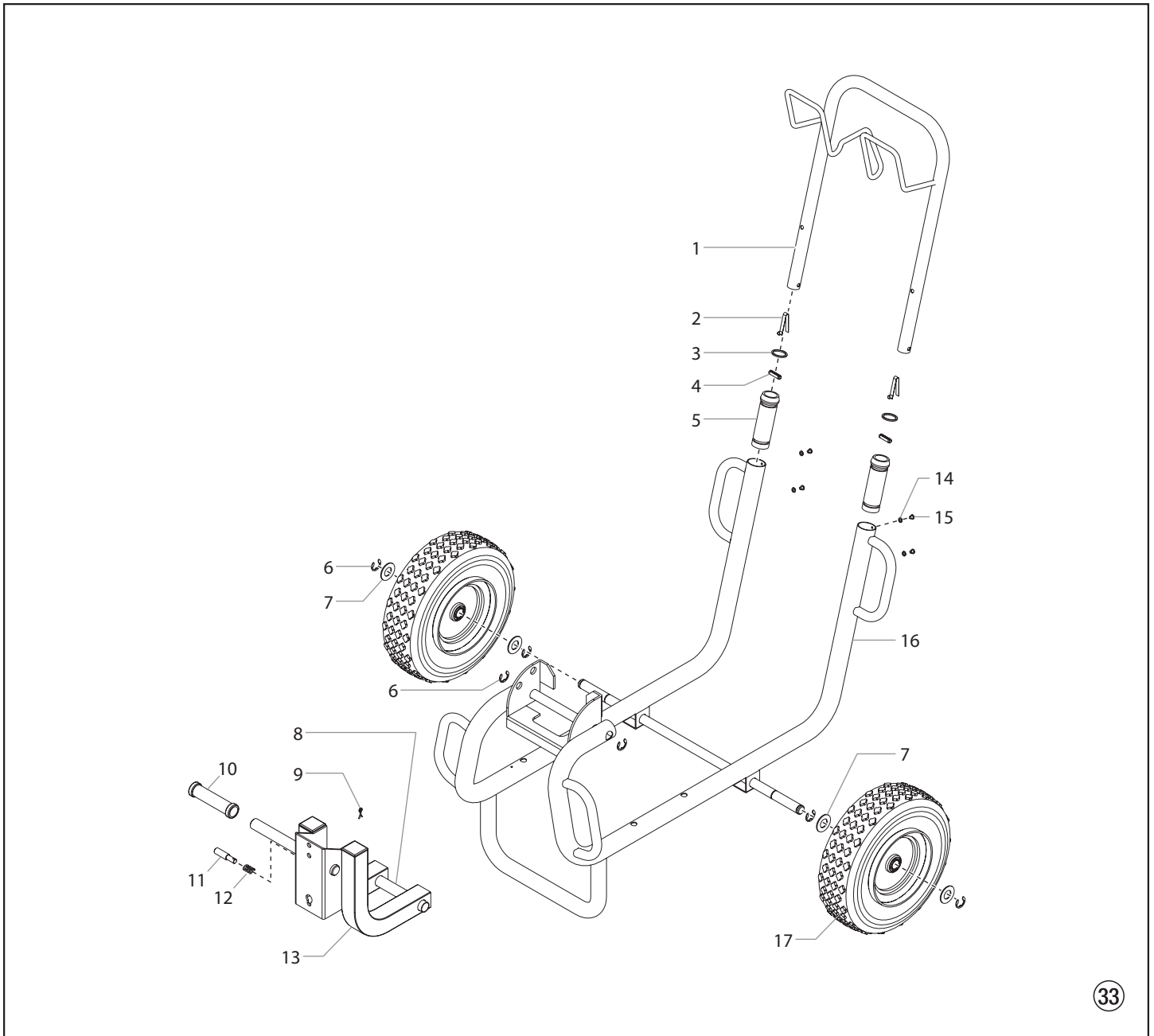
Pos.	PT6900 DI (120V)	PT6900 DI (230V)	PT6900 DI (gas)	PT12000 DI (400V)	PT12000 DI (gas)	(GB) Description	(D) Benennung	(F) Description
1	451-135A	451-135A	451-135A	459-024A	459-024A	Motor / pump assembly	Motoren-/ Pumpenbaugruppe	Bloc moteur/pompe
2	703-137A	703-137A	703-137A	703-137A	703-137A	Swivel fitting assembly	Drehlageraufbau	Raccord articulé
3*	944-030A	944-030A	944-030A	944-030A	944-030A	Bleed valve	Ablassventil	Vanne de purge
4*	0290453A	0290453A	0290453A	0290453A	0290453A	Filter assembly (includes item 3)	Filterbaugruppe (beinhaltet Teile 3)	Ensemble de filtre inclut le élément 3)
5	0528034	0528034	0528034	0528034	0528034	Bleed hose	Entlüftungsschlauch	Tuyau de purge
6	537537	537537	537537	730-334	730-334	Hose clamp	Schlauchklemme	Bride de serrage
7*	0290629A	0290629A	0290629A	0290629A	0290629A	Belt guard assembly	Keilriemenbaugruppe	Protège-courroie
8	9821503	9821503	9821503	9821503	9821503	Lock washer	Federscheibe	Rondelle d'arrêt
9	9800312	9800312	9800312	9800312	9800312	Screw	Schraube	Vis
10	0290490	0290490	0290490	0290490	0290490	Hydraulic cover	Tankabdeckung	Couvercle
11	770-879	770-879	770-879	770-879	770-879	Lock washer (2)	Federscheibe (2)	Rondelle d'arrêt (2)
12	862-501	862-501	862-501	862-501	862-501	Screw (2)	Schraube (2)	Vis (2)
13*	-----	-----	-----	-----	-----	Hydraulic system	Hydrauliksystem	Système hydraulique
14	858-636	858-636	858-636	858-636	858-636	Bracket screw (2)	Klammerschraube (2)	Vis du support (2)
15	858-002	858-002	858-002	858-002	858-002	Lock washer	Federscheibe	Rondelle d'arrêt
16	0528235	0528235	0528235	0528235	0528235	Bracket	Befestigungswinkel	Equerre de fixation
17*	-----	0290321A	-----	-----	-----	Convertokit, DC electric, 230V	Convertokit, Elektromotor, 230V	Convertokit, moteur électrique, 230V
18*	-----	-----	-----	0528612A	-----	Convertokit, DC electric, 400V	Convertokit, Elektromotor, 400V	Convertokit, moteur électrique, 400V
19	449-181	0528344	-----	0349538	-----	Belt, "V", Convertokit, DC electric	Keilriemen, "V", Convertokit, Elektromotor	Courroie, "V", moteur électrique
	-----	-----	449-125	-----	0290510	Belt, "V"	Keilriemen, "V"	Courroie, "V"
20*	0290537A	0290537A	0290537A	0290537A	0290537A	Cart assembly	Wagenbaugruppe	Ensemble de chariot
21	862-428	862-428	862-428	862-428	862-428	Screw (2)	Schraube (2)	Vis (2)
22	9820305	9820305	9820305	9820305	9820305	Washer (2)	Scheibe (2)	Rondelle (2)
23	0290614A	0290614A	-----	-----	-----	Convertokit, 4,8 Hp, Honda, gasoline	Convertokit, 4,8 PS, Honda, Benzin	Convertokit, 4,8 HP, Honda, essence
	-----	-----	-----	0290456A	-----	Convertokit, 8,5 Hp, Honda, gasoline	Convertokit, 8,5 PS, Honda, Benzin	Convertokit, 8,5 HP, Honda, essence
24	-----	-----	0290311A	-----	0290311A	Convertokit, DC electric, 120V	Convertokit, Elektromotor, 120V	Convertokit, moteur électrique, 120V
25*	-----	448-615A	448-615A	448-615A	-----	Bleed valve assembly, heavy material	Ablassventilbaugruppe, schwere Anstrichen	Assemblage de la soupape de décharge, revêtements épais

\* See separate listing / Siehe separate Auflistung / voir la liste de pièces distincte

Ⓞ GB Cart Assembly

Ⓞ D Wagenbaugruppe

Ⓞ F Ensemble de chariot

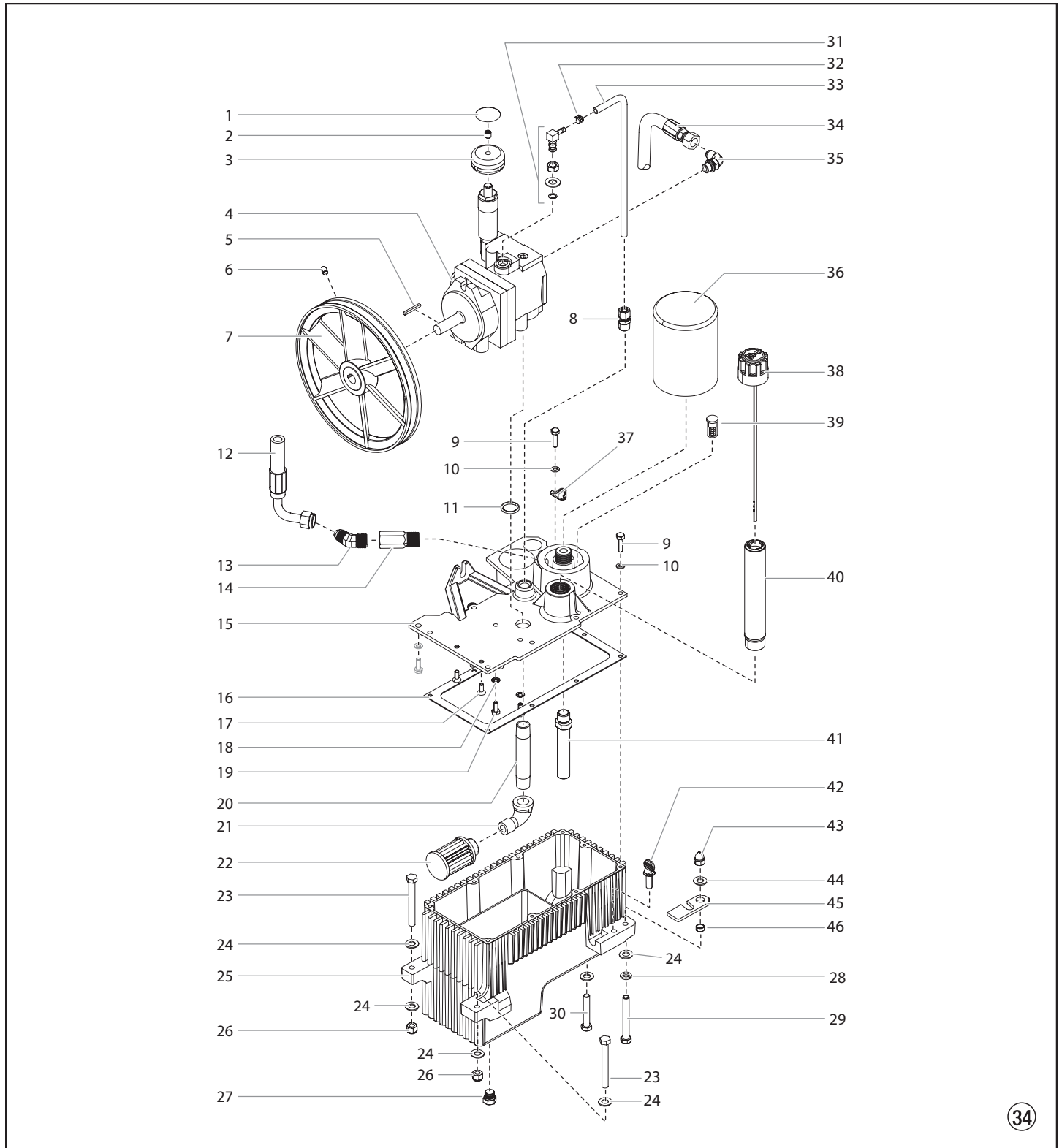


Pos.	PT6900 Plus DI	PT12000 Plus DI	Ⓒ Description	Ⓓ Benennung	Ⓕ Description
1	290444	290444	Handle	Deichsel	Poignée
2	9841504	9841504	Snap button (2)	Haltefeder (2)	Ressort (2)
3	590-506	590-506	Washer (2)	Scheibe (2)	Rondelle (2)
4	590-508	590-508	Roll pin (2)	Spannhülse (2)	Goupille de serrage (2)
5	590-504	590-504	Sleeve (2)	Buchse (2)	Douille (2)
6	590-100	590-100	Retaining ring (2)	Sicherungsring (2)	Bague de retenue (2)
7	295687	295687	Washer (4)	Scheibe (4)	Rondelle (4)
8	451-064	451-064	Swing arm axle	Schwingenachse	Essieu du bras oscillant
9	759-034	759-034	Cotter pin	Kurbelkeil	Goupille fendue
10	451-074	451-074	Grip	Griff	Poignée
11	451-113	451-113	Lock pin	Sicherungsbolzen	Goupille de verrouillage
12	451-112	451-112	Spring	Feder	Ressort
13	451-059	451-059	Swing arm	Schwinge	Bras oscillant
14	856-002	856-002	Washer (4)	Scheibe (4)	Rondelle (4)
15	856-921	856-921	Screw	Schraube	Vis
16	0528341A	0528341A	Frame, welded	Grundgestell	Châssis
17	670-109	670-109	Wheel (2)	Rad (2)	Roue (2)
<b>Not shown • Nicht gezeigt • Non représentée</b>					
	451-052	451-052	Plug	Stopfen	Fiche
	451-455	451-455	Cart handle spacer	Wagengriffdistanzelement	Entretoise de la poignée du chariot

Ⓒ GB Hydraulic System

Ⓒ D Hydrauliksystem

Ⓒ F Système hydraulique

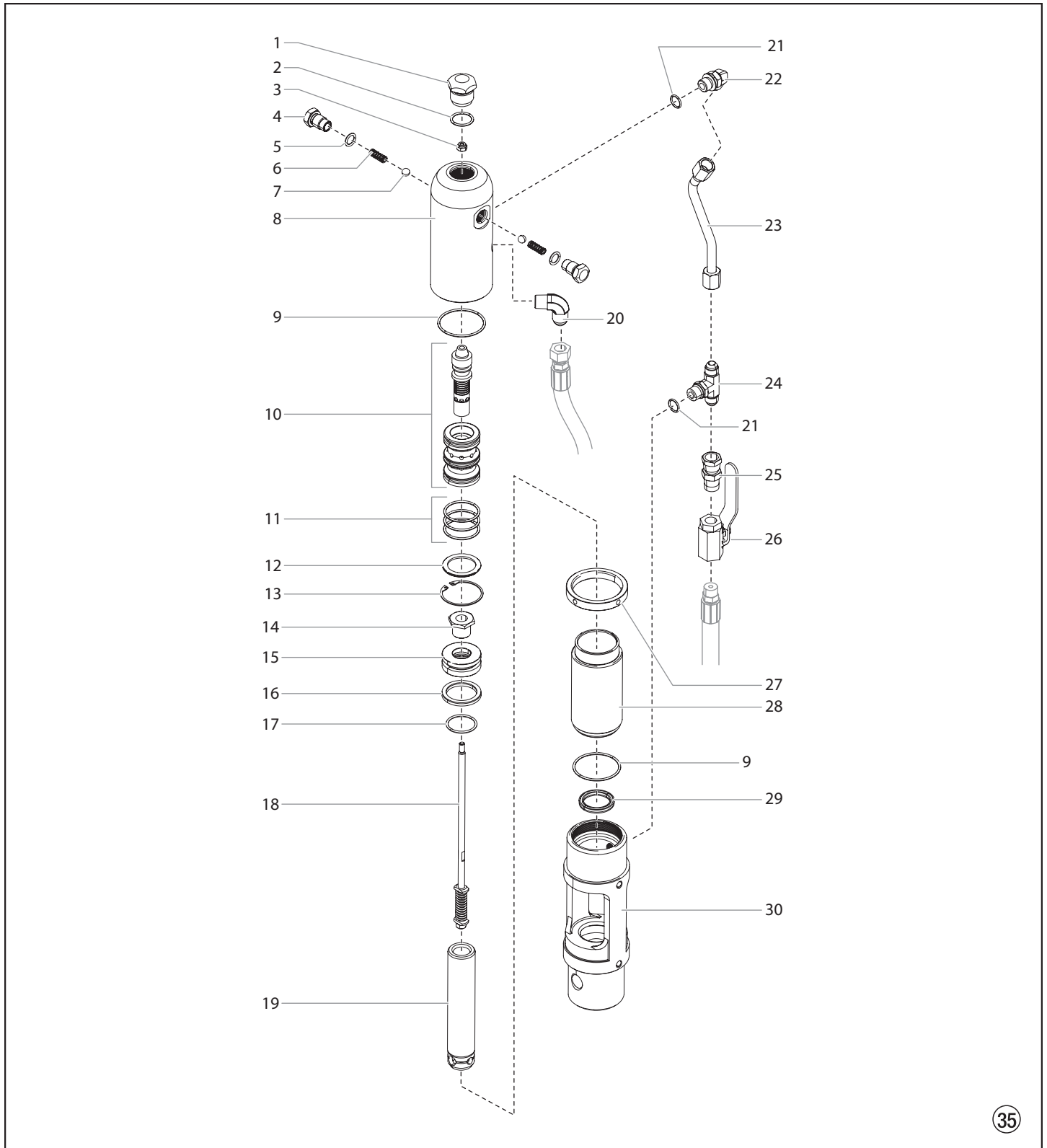


Pos.	PT6900 Plus DI	PT12000 Plus DI	(GB) Description	(D) Benennung	(F) Description
1	313-755	313-755	Knob decal	Aufkleber	Etiquette
2	862-414	862-414	Set screw	Sicherungsschraube	Vis de blocage
3	448-243	448-243	Pressure control knob	Druckregulierknopf	Bouton de réglage de pression
4	449-752A	449-752A	Hydraulic pump	Hydraulikölpumpe	Pompe hydraulique
5	448-494	448-494	Key, pump	Passfeder	Clavette
6	860-520	860-520	Set screw	Sicherungsschraube	Vis de blocage
7	449-195A	449-195A	Pulley/fan assembly	Riemenscheibe	Poulie
8	431-042	431-042	Tube connector	Rohranschluss	Connecteur de tube
9	858-636	858-636	Screw (8)	Schraube (8)	Vis (8)
10	858-002	858-002	Lock washer (10)	Federscheibe (10)	Rondelle d'arrêt (10)
11	325-031	325-031	O-ring	O-ring	Joint torique
12	451-423	451-423	Return hose assembly	Rücklaufschlauch	Tuyau de retour
13	451-120	451-120	Fitting, 45°	Anschluss, 45°	Raccord, 45°
14	451-107	451-107	Adapter	Adapter	Adaptateur
15	0290770	0290770	Tank cover	Öltankdeckel	Couvercle du réservoir d'huile
16	449-605	449-605	Tank gasket	Dichtung	Joint
17	858-621	858-621	Socket screw (2)	Senkschraube (2)	Vis à tête fraisée (2)
18	859-001	859-001	Washer (2)	Scheibe (2)	Rondelle (2)
19	858-624	858-624	Screw (2)	Schraube (2)	Vis (2)
20	0528171	0528171	Nipple	Doppelnippel	Raccord double
21	472-500	472-500	Elbow, street	Winkel	Coude
22	448-208	448-208	Inlet screen	Filter	Filtre
23	862-496	862-496	Hexagonal bolt (2)	Sechskantschraube (2)	Vis hexagonale (2)
24	0509285	0509285	Flat washer (6)	Scheibe (6)	Rondelle (6)
25	449-718A	449-718A	Hydraulic tank	Hydrauliköltank	Réservoir d'huile hydraulique
26	862-410	862-410	Locknut (2)	Stellmutter (2)	Écrou d'arrêt (2)
27	449-212	449-212	Plug	Verschlusschraube	Vis bouchon
28	0509292	0509292	Lock washer (4)	Federscheibe (4)	Rondelle d'arrêt (4)
29	862-493	862-493	Hexagonal bolt	Sechskantschraube	Vis hexagonale
30	862-480	862-480	Hexagonal bolt	Sechskantschraube	Vis hexagonale
31	192-228	192-228	Elbow	Winkel	Coude
32	449-126	449-126	Hose clamp	Schlauchklemme	Collier
33	420-251	420-251	Tubing, PTFE	Rohr	Tube
34	451-422	451-422	Pressure hose assembly	Druckschlauch	Tuyau de pression
35	192-051	192-051	Elbow	Winkel	Coude
36	451-220	451-220	Hydraulic filter	Filter	Filtre
37	101-205	101-205	Ground lug	Erdungsschiene	Barrette de mise à la masse
38	449-626	449-626	Hydraulic fluid dipstick	Ölmesstab	Jauge de niveau
39	449-609A	449-609A	Hydraulic by-pass	Bypassventil	By-pass
40	449-614	449-614	Tube assembly	Einfüllstutzen	Raccord de remplissage
41	0528164A	0528164A	Tube	Rohr	Tube
42	862-438	862-438	Thumb screw	Flügelschraube	Vis à ailes
43	862-402	862-402	Acorn nut	Hutmutter	Écrou borgne
44	0509285	0509285	Washer	Scheibe	Rondelle
45	449-107	449-107	Mounting plate retainer	Riegel	Verrou
46	449-135	449-135	Spacer	Distanzscheibe	Bague d'espacement
<b>Not shown • Nicht gezeigt • Non représentée</b>					
	941-555	941-555	Ball valve	Kugelhahn	Vanne à bille

Ⓒ GB Hydraulic Motor

Ⓒ D Hydraulikmotor

Ⓒ F Moteur hydraulique



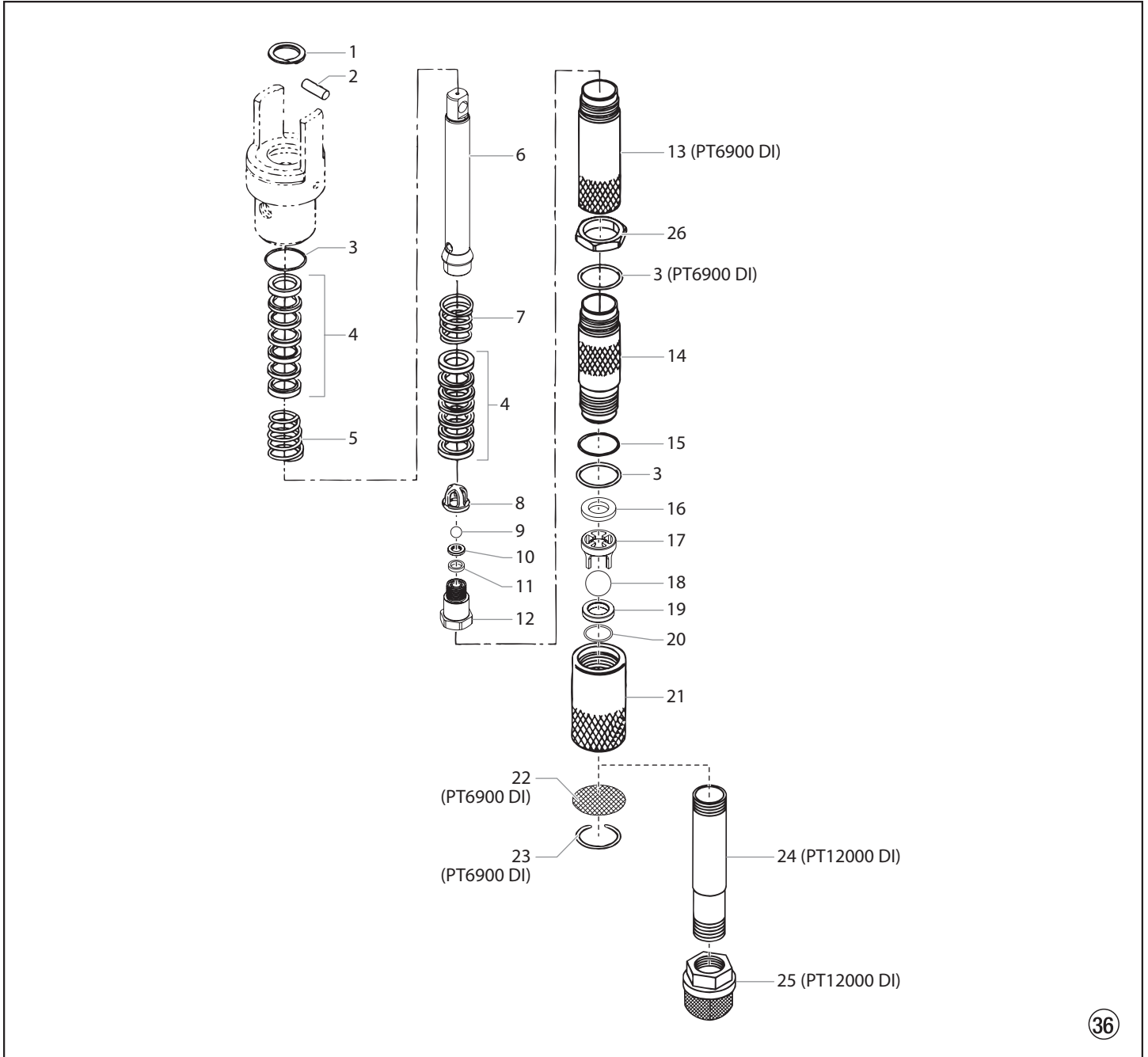


Pos.	PT6900 Plus DI	PT12000 Plus DI	<b>(GB)</b> Description	<b>(D)</b> Benennung	<b>(F)</b> Description
1	235-030	235-030	Cylinder head plug	Zylinderkopfstöpsel	Fiche de la tête du cylindre
2	441-217	441-217	O-ring	O-ring	Joint torique
3	858-811	858-811	Flex lock nut	Flexible Stellmutter	Écrou de blocage souple
4	235-018	235-018	Trip retainer (2)	Bedienungsarretierung (2)	Dispositif de retenue du déclenchement (2)
5	141-007	141-007	O-ring (2)	O-ring (2)	Joint torique (2)
6	325-005	325-005	Trip spring (2)	Bedienungsfeder (2)	Ressort de déclenchement (2)
7	569-016	569-016	Ball, SS (2)	Kugel, SS (2)	Bille, SS
8	235-112FZ	235-112FZ	Cylinder head	Zylinderkopf	Tête du cylindre
9	431-032	431-032	O-ring (2)	O-ring (2)	Joint torique (2)
10	441-908A	441-908A	Spool / sleeve set	Spule / Abziehhülensatz	Ensemble tiroir/manchon
11	441-152	441-152	O-ring (3)	O-ring (3)	Joint torique (3)
12	431-053	431-053	Sleeve retainer	Abziehhülensarretierung	Dispositif de retenue du manchon
13	431-054	431-054	Retainer ring	Haltering	Bague de retenue
14	235-022	235-022	Piston retainer screw	Kolbenarretierschraube	Vis de retenue du piston
15	235-014	235-014	Piston	Kolben	Piston
16	235-027	235-027	Piston seal	Kolbendichtung	Joint du piston
17	235-026	235-026	O-ring	O-ring	Joint torique
18	235-021A	235-021A	Valve rod assembly	Ventilstangenbaugruppe	Tige de soupape
19	235-948	236-948	Piston rod	Kolbenstange	Tige du piston
20	451-121	451-121	Elbow, 90°	Winkel, 90°	Coude, 90°
21	700-499	700-499	O-ring (2)	O-ring (2)	Joint torique (2)
22	192-051	192-051	Elbow (includes item 21)	Winkel (beinhaltet Teile 21)	Coude (inclut le élément 21)
23	0537563	0537531	Motor tube	Motorenrohr	Tube moteur
24	0537564	0537564	Tee (includes item 21)	T-Stück (beinhaltet Teile 21)	Raccord en T (inclut le élément 21)
25	0537565	0537565	Fitting	Anschluss	Raccord
26	941-555	941-555	Ball valve	Kugelhahn	Vanne à bille
27	235-001	235-001	Lock ring	Seegerring	Bague de retenue
28	235-007	236-007	Cylinder	Zylinder	Cylindre
29	235-028	235-028	Rod seal	Stangendichtung	Joint de tige
30	235-129	236-829	Motor/pump block	Motor/Pumpenblock	Bloc moteur/pompe
	235-050	235-050	Motor service kit, minor (includes items 2, 3, 5-7, 9, 11, 16, 17, and 29)	Motorenservicesatz — klein (beinhaltet Teile 2-3, 5-7, 9, 11, 16, 17, und 29)	Kit d'entretien du moteur – mineur (inclut les éléments 2 à 3, 5 à 7, 9, 11, 16 à 17, et 29)
	0537928	0537926	Motor tube kit (includes items 21-25)	Motorrohr-Kit (beinhaltet Teile 21-25)	Kit tube à moteur (inclut les éléments 21 à 25)

Ⓒ Fluid Section

Ⓓ Flüssigkeitsbereich

Ⓕ Section des liquides



Pos.	PT6900 Plus DI	PT12000 Plus DI	(GB) Description	(D) Benennung	(F) Description
1	143-019	143-019	Retaining ring	Spiralring	Bague spiralée
2	143-120	143-120	Connecting pin	Verbindungsstift	Goupille de liaison
3	145-031	-----	O-ring, PTFE (3)	O-ring, PTFE (3)	Joint torique, PTFE (3)
	-----	145-031	O-ring, PTFE (2)	O-ring, PTFE (2)	Joint torique, PTFE (2)
4	138-153A	138-153A	Packing set, leather/UHMWPE/ steel (2)	Dichtungssatz, Leder/ Ultrahochmolekular-gewichtiges Polyethylen/Stahl (2)	Garniture, cuir/UHMWPE/acier (2)
5	142-004	142-004	Upper packing spring	Konusfeder	Ressort de garniture supérieure
6	451-131A	144-117	Displacement rod	Kolbenstange	Tige de piston
7	142-003	142-003	Lower packing spring	Druckfeder	Ressort de garniture inférieure
8	451-085	451-085	Outlet valve cage	Ablassventilkorb	Cage de soupape de sortie
9	0509710	0509710	Outlet valve ball	Kugel	Bille
10	236-012	236-012	Outlet valve seat	Auslassventilsitz	Siège du clapet de refoulement
11	236-032	236-032	Seal washer	Scheibe	Rondelle
12	236-031A	236-031A	Outlet valve housing	Auslassventilgehäuse	Corps du clapet de refoulement
13	451-032	-----	Cylinder spacer	Zylinderdistanzelement	Entretoise des cylindres
14	0349606	144-832	Pump cylinder	Zylinder	Cylindre
15	140-009	140-009	O-ring	O-ring	Joint torique
16	236-030	236-030	Wave washer	Scheibe	Rondelle
17	236-141	236-141	Foot valve cage	Kugelführung	Guide de bille
18	0509707	0509707	Foot valve ball	Kugel	Bille
19	0509623	0509623	Foot valve seat	Einlassventilsitz	Siège
20	0509708	0509708	Seat o-ring	Sitz o-ring	Siège du joint torique
21	451-132	459-019A	Foot valve housing	Einlassventilgehäuse	Logement du clapet de pied
22	451-018	-----	Inlet screen	Eintrittsgitter	Écran d'entrée
23	431-054	-----	Snap ring	Sicherungsring	Circlip
24	-----	761-153	Siphon tube	Siphonrohr	Tube d'aspiration
25	-----	710-046A	Inlet screen	Eintrittsgitter	Écran d'entrée
26	528296	528296	Removal nut	Abziehmutter	Écrou de démontage
	143-501	144-500	Fluid section service kit, major (includes items 6, 15, and fluid section service kit, minor P/N 144-050)	Flüssigkeitsbereich Wartungssatz, gross (beinhaltet Teile 6, 14 und Flüssigkeitsbereich Wartungssatz, klein P/N 144-050)	Kit de maintenance de la section des liquides, principal (inclut les éléments 6, 14, et le kit de maintenance de la section des fluides, mineur, n° de pièce 144- 050)
	144-050	144-050	Fluid section service kit, minor (includes items 1, 3, 4, 9, 11, 15, 18, 20, and Loctite P/N 426-051)	Flüssigkeitsbereich Wartungssatz, klein (beinhaltet Teile 1, 3, 4, 9, 11, 15, 18, 20, und Loctite P/N 426-051)	Kit de maintenance de la section des liquides, mineur (inclut les éléments 1, 3, 4, 9, 11, 15, 18, 20 et Loctite n° de pièce 426-051)
	451-133A	459-021A	Foot valve assembly (includes items 17-21)	Einlassventilbaugruppe (beinhaltet Teile 17-21)	Clapet de pied (inclut les éléments 17-21)
	236-050	236-050	Outlet valve assembly (includes items 8-12)	Ablassventilbaugruppe (beinhaltet Teile 8-12)	Soupape de sortie (inclut les éléments 8-12)

(GB) DC - Electric Convertokit (120V)

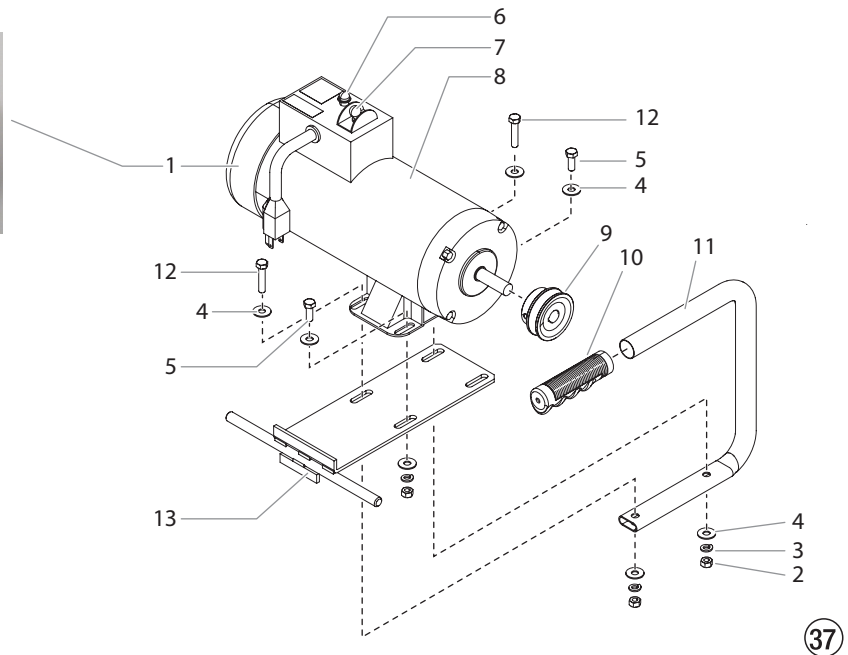
(D) Convertokit, Elektromotor (120V)

(F) Convertokit, moteur électrique (120V)

### PT6900 Plus DI (120V)

506-259

0290954

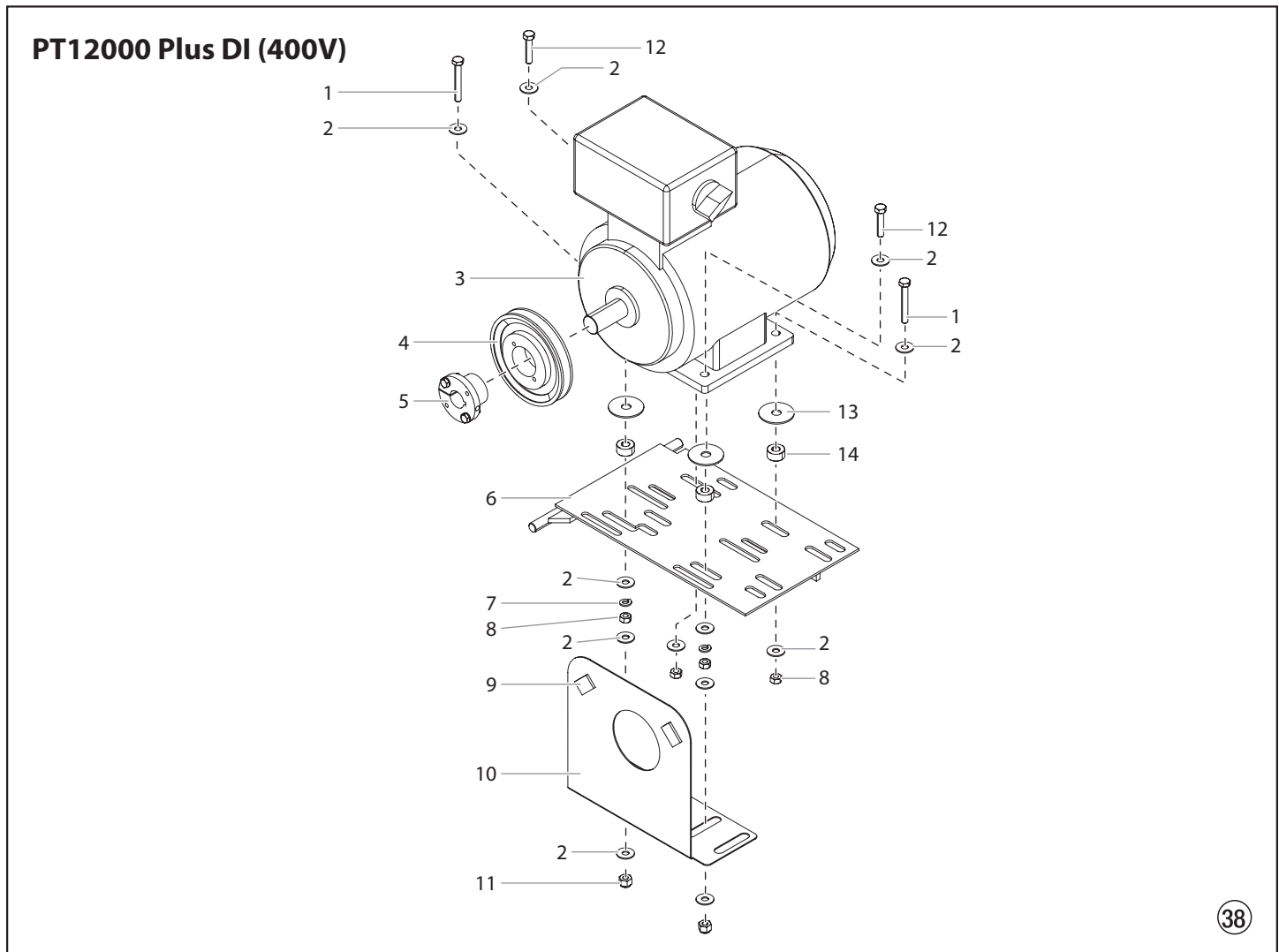


Pos.	PT6900 DI (120V)	(GB) Description	(D) Benennung	(F) Description
1	506-259	Cover (screws from the outside)	Abdeckung	Couvercle
	0290954	Cover (screws from the rear)	Abdeckung	Couvercle
2	0509885	Stop nut (4)	Stellmutter (4)	Écrou d'arrêt (4)
3	860-002	Lock washer (4)	Federscheibe (4)	Rondelle d'arrêt (4)
4	860-004	Flat washer (8)	Schiebe (8)	Rondelle (8)
5	860-535	Screw (2)	Schraube (2)	Vis (2)
6	978-040	Circuit breaker reset	Schutzschalter-Reset	Bouton de réenclenchement du disjoncteur
7	506-260	ON/OFF switch	EIN/AUS-Schalter	Interrupteur MARCHE/ARRET
8	978-350A	Motor, DC-Electric, 2 Hp, 50/60 Hz, 115V	Elektromotor, 2 PS, 50/60 Hz, 115V	Motor électrique, 2 Hp, 50/60 Hz, 115V
9	977-227	Pulley	Seilrolle	Poulie
10	590-068	Handle grip	Führungsgriff	Poignée-pistolet
11	335-017	Handle	Griff	Poignée
12	860-552	Screw (2)	Schraube (2)	Vis (2)
13	459-018	Mounting plate	Montageplatte	Plaque de fixation
<b>Not shown • Nicht gezeigt • Non représentée</b>				
	506-255	Rectifier	Gleichrichter	Rectificateur
	506-258	Fan	Lüfter	Ventilateur
	0290956	Brush cover, plastic	Bürstenabdeckung, Kunststoff	Couvercle de la brosse, en plastique

(GB) DC - Electric Convertokit (400V)

(D) Convertokit, Elektromotor (400V)

(F) Convertokit, moteur électrique (400V)



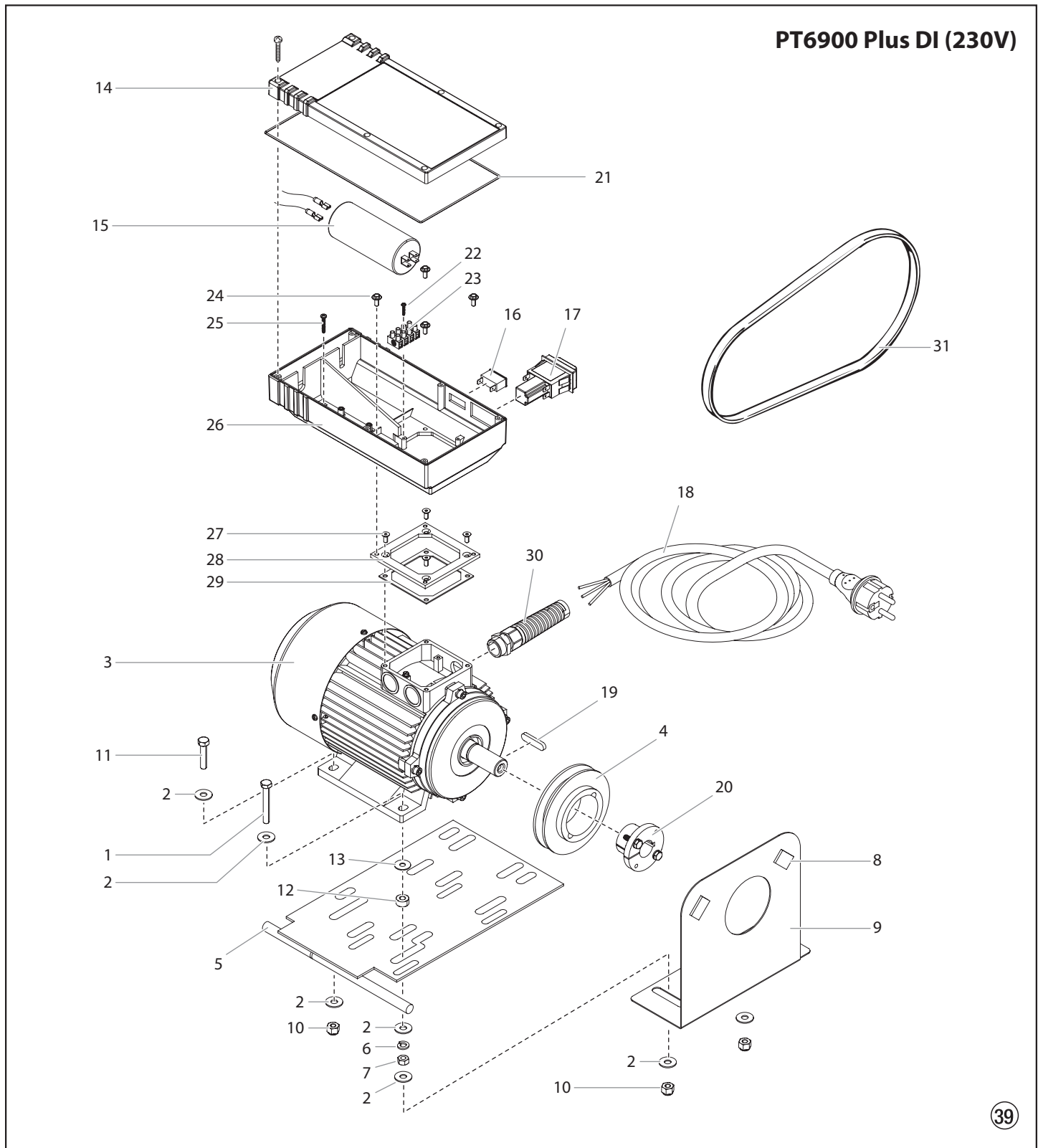
(38)

Pos.	PT12000 DI (400V)	(GB) Description	(D) Benennung	(F) Description
1	9805426	Screw (2)	Schraube (2)	Vis (2)
2	0509285	Flat washer (12)	Schiebe (12)	Rondelle (12)
3	0349222	Electric motor 400 V, 50 Hz, V3~	Elektromotor 400 V, 50 Hz, V3~	Motor électrique 400 V, 50 Hz, V3~
4	0528106	Pulley	Seilrolle	Poulie
5	0528107	Bushing	Buchse	Bague
6	0349537	Mounting plate	Montageplatte	Plaque de fixation
7	0509292	Lock washer (2)	Federscheibe (2)	Rondelle d'arrêt (2)
8	9812320	Nut (4)	Mutter (4)	Écrou (4)
9	0290538	Foam strip (2)	Schaumband (2)	Languette en mousse (2)
10	0528339A	Shield	Schild	Écran protecteur
11	862-410	Stop nut (4)	Stellmutter (4)	Écrou d'arrêt (4)
12	0509294	Screw (2)	Schraube (2)	Vis (2)
13	9822632	Washer (4)	Scheibe (4)	Rondelle (4)
14	590-411	Spacer (4)	Abstandhalter (4)	Entretoise (4)

(GB) DC - Electric Convertokit (230V)

(D) Convertokit, Elektromotor (230V)

(F) Convertokit, moteur électrique (230V)



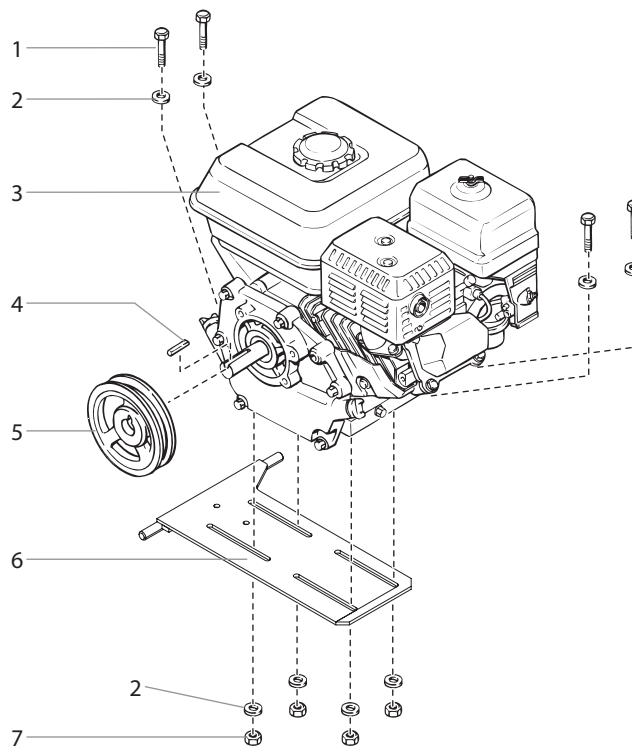
Pos.	PT6900 DI (230V)	(GB) Description	(D) Benennung	(F) Description
1	9805427	Screw (2)	Schraube (2)	Vis (2)
2	0349334	Flat washer (12)	Scheibe (12)	Rondelle (12)
3	2329129	Motor, DC-Electric, 3 Hp, 50 Hz, 230V	Elektromotor, 3 PS, 50 Hz, 230V	Motor électrique, 3 Hp, 50 Hz, 230V
4	0349643	Pulley	Seilrolle	Poulie
5	0349537	Mounting plate	Montageplatte	Plaque de fixation
6	0507786	Lock washer (2)	Federscheibe (2)	Rondelle d'arrêt (2)
7	0509885	Nut (2)	Mutter (2)	Écrou (2)
8	0290538	Foam strip (2)	Schaumband (2)	Languette en mousse (2)
9	0528339A	Shield	Schild	Écran protecteur
10	0349333	Stop nut (4)	Stellmutter (4)	Écrou d'arrêt (4)
11	9805444	Screw (2)	Schraube (2)	Vis (2)
12	590-411	Spacer (4)	Abstandhalter (4)	Entretoise (4)
13	9822632	Washer (4)	Scheibe (4)	Rondelle (4)
14	2339035	Housing	Kondensatorgehäuse	Carter
15	9952870	Capacitor 60 MF/400-450 V (230 V~, 50 Hz)	Kondensator 60 MF/400-450 V (230 V~, 50 Hz)	Condensateur 60 MF/400-450 V (230 V~, 50 Hz)
16	9953704	ON/OFF switch 230 V~, 50 Hz	EIN/AUS-Schalter 230 V~, 50 Hz	Interrupteur MARCHE/ARRET 230 V~, 50 Hz
17	2301766	Control lamp	Kontrollleucht	Lampe de contrôle
18	9951652	Power cord H07RN-F3G2.5 – 6m	Geräteanschlussleitung H07RN-F3G2,5 – 6m	Cordon d'alimentation H07RN-F3G2,5 – 6m
19	9931039	Featherkey 8 x 7 x 25	Passfeder 8 x 7 x 25	Clavette 8 x 7 x 25
20	0349644	Spring collet	Spannbuchse	Douille de serrage
21	2304608	Gasket	Dichtung	Joint
22	9902234	Screw	Schraube	Vis
23	9950244	Terminal block	Klemmleiste	Bornes
24	9900249	Screw (4)	Schraube (4)	Vis (4)
25	9902209	Screw	Schraube	Vis
26	254335	Electrical box	Klemmkasten	Boîte électrique
27	9900518	Screw (4)	Schraube (4)	Vis (4)
28	254337	Mounting plate	Montageplatte	Plaque de fixation
29	254336	Gasket	Dichtung	Joint
30	3158661	Strain relief	Kabelverschraubung	Bride de cordon
31	0528344	Belt, "V", Convertokit, DC electric	Keilriemen, "V", Convertokit, Elektromotor	Courroie, "V", moteur électrique
	2329130	Motor assembly, 230V complete (includes items 3, 14-18, and 21-31)	Elektromotor, 3 PS, 50 Hz, 230V (beinhaltet Teile 3, 14-18 und 21-31)	Motor électrique, 3 Hp, 50 Hz, 230V (inclut les éléments 3, 14 à 18 et 21 à 31)

(GB) Gas Convertokit

(D) Convertokit, Benzinmotor

(F) Convertokit à essence

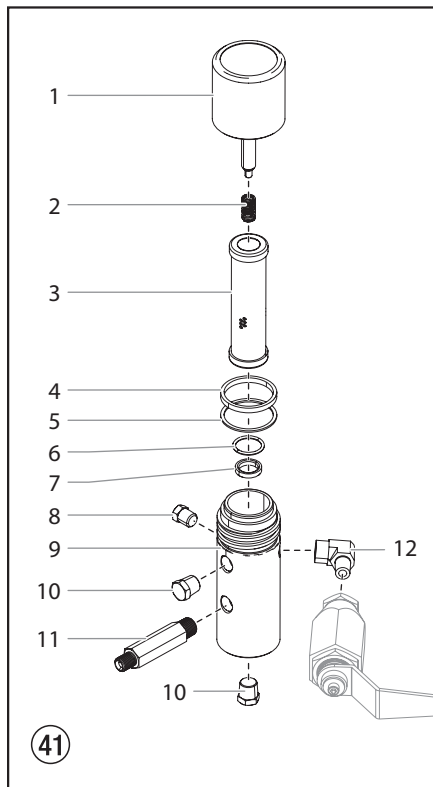
### PT6900 Plus DI • PT12000 Plus DI



(40)

Pos.	PT6900 Plus DI	PT12000 Plus DI	(GB) Description	(D) Benennung	(F) Description
1	860-552	0509294	Screw (4)	Schraube (4)	Vis (4)
2	860-004	509285	Washer (8)	Scheibe (8)	Rondelle (8)
3	980-331A	-----	Engine, gas, 4.8 Hp, Honda	Benzinmotor, 4,8 PS, Honda	Moteur, essence 4,8 Honda
	-----	764-021A	Engine, gas, 8.5 Hp, Honda	Benzinmotor, 8,5 PS, Honda	Moteur, essence 8,5 Honda
4	980-307	980-307	Key	Schlüssel	Clavette
5	449-984	0290409	Pulley	Seilrolle	Poulie
6	0290132	0290480	Mounting plate	Montageplatte	Plaque de fixation
7	9811122	862-410	Stop nut (4)	Stellmutter (4)	Écrou d'arrêt (4)



**(GB) High Pressure Filter****(D) Hochdruckfilter****(F) Filtre à haute pression****Filter Assembly Specifications**

Maximum Working Pressure ..... 3600 psi (24.8 MPa)

Filter Area ..... 18 In<sup>2</sup> (116 cm<sup>2</sup>)

Outlet Ports ..... (1) 1/4" NPT(F) for bleed valve

(1) 3/8" NPT(F) with 1/4 NPSM(M) hose connection

(1) 3/8" NPT(F) plugged for additional gun hookup.

Wetted Parts..... Carbon steel with electroless nickel and cadmium plating,  
stainless steel, tungsten carbide, PTFE**Spezifikationen**

Maximaler Arbeitsdruck..... 24,8 MPa (3600 psi)

Filterbereich ..... 116 cm<sup>2</sup> (18 In<sup>2</sup>)

Ablässöffnungen..... (1) 1/4" NPT(F) für das Ablassventil

(1) 3/8" NPT(F) mit 1/4 NPSM(M) Schlauchverbindung

(1) 3/8" NPT(F) verschlossen, für zusätzliche  
Spritzpistolenanschluss.Nassteile..... Stromloser vernickelter unlegierter Kohlenstoffstahl, Edelstahl,  
Wolframcarbid, PTFE**Caractéristiques**

Pression de travail maximale .... 24,8 MPa (3600 psi)

Surface du filtre..... 116 cm<sup>2</sup> (18 In<sup>2</sup>)

Orifices de sortie ..... (1) 1/4" NPT(F) pour la soupape de décharge

(1) 3/8" NPT(F) avec raccord de tuyau 1/4 NPSM(M)

(1) 3/8" NPT(F) branché pour la connexion d'un pistolet  
supplémentaire.Pièces mouillées ..... Acier au carbone avec revêtement de nickel et cadmium  
autocatalytiques, acier inoxydable, carbure de tungstène, PTFE.

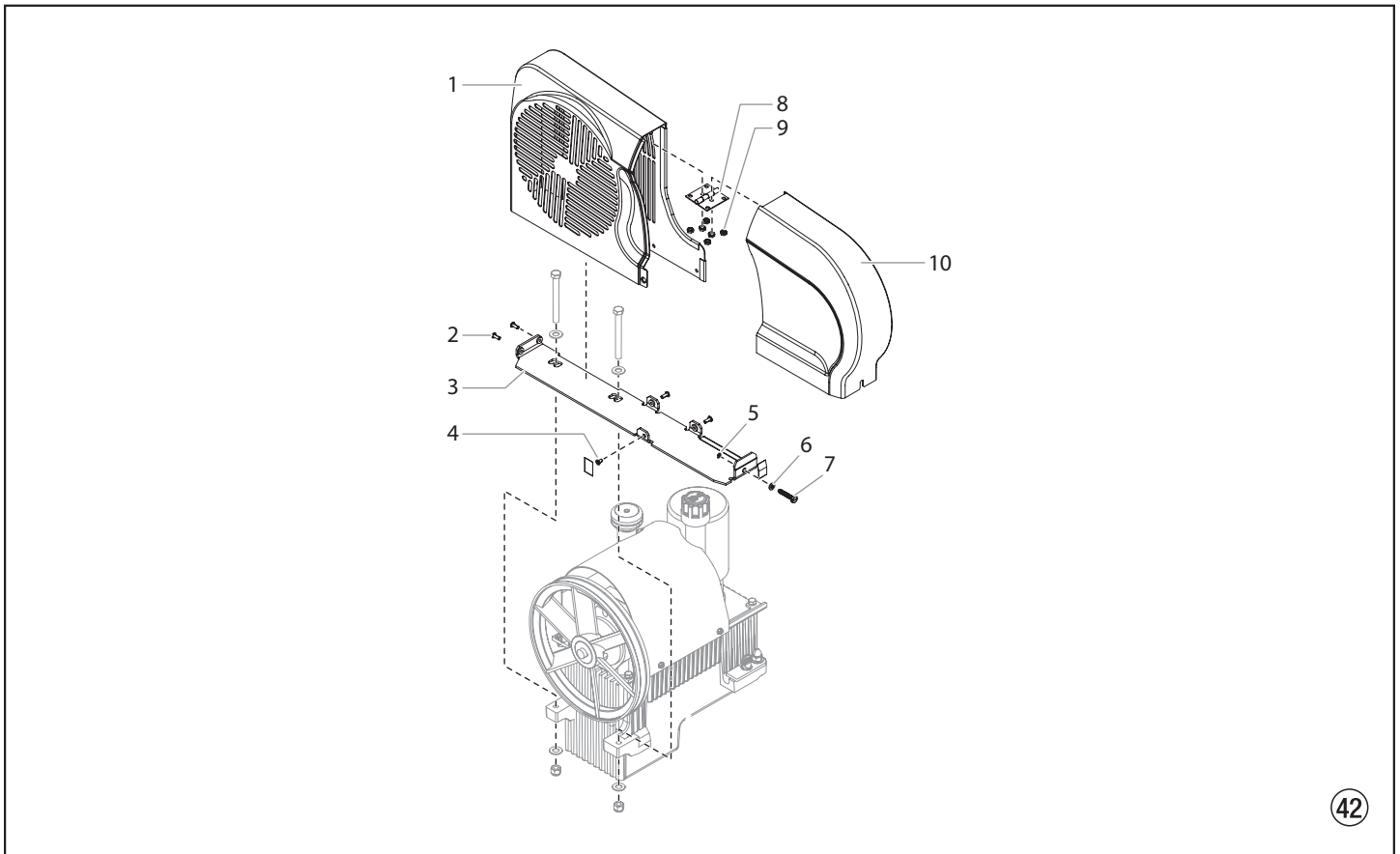
Pos.	PT6900 Plus DI	PT12000 Plus DI	(GB) Description	(D) Benennung	(F) Description
1	0290443A	0290443A	Filter cap assembly	Gehäusedeckel	Couvercle du corps
2	930-020	930-020	Spring	Druckfeder	Ressort
3	930-006*	930-006*	Filter element, 50 M, with ball	Filterpatrone, 50 Maschen, mit Kugel	Cartouche de filtre 50 mailles, avec bille
	930-005	930-005	Filter element, 5 M, with ball	Filterpatrone, 5 Maschen, mit Kugel	Cartouche de filtre 5 mailles, avec bille
	930-007*	930-007*	Filter element, 100 M, with ball	Filterpatrone, 100 Maschen, mit Kugel	Cartouche de filtre 100 mailles, avec bille
4	920-006	920-006	Gasket, PTFE (thick)	Dichtung dick	Joint épais
5	920-070	920-070	Gasket, PTFE (thin)	Dichtung dünn	Joint mince
6	891-193	891-193	O-ring, PTFE	O-Ring	Joint torique, PTFE
7	180-909	180-909	Seat, tungsten carbide	Ventilsitz	Siège de soupape
8	227-027	227-027	Pipe plug	Verschlusschraube	Vis bouchon
9	0290424A	0290424A	Filter body	Gehäuse	Corps
10	227-033	227-033	Pipe plug	Verschlusschraube	Vis bouchon
11	808-550	808-550	Hex fitting, 3/8"	Sechskantschraube, 3/8"	Raccord hexagonal, 0,9 cm
12	810-555	810-555	Elbow, 90°	Winkelstück, 90°	Coude, 90°
	930-050	930-050	Filter service kit (includes items 2 and 4-6)	Filterwartungssatz (beinhaltet Teile 2 und 4-6)	Kit d'entretien du filtre (inclut les éléments 2 et 4-6)

\* Optional / Optional / Facultatif

(GB) Belt Guard Assembly

(D) Keilriemenbaugruppe

(F) Protège-courroie

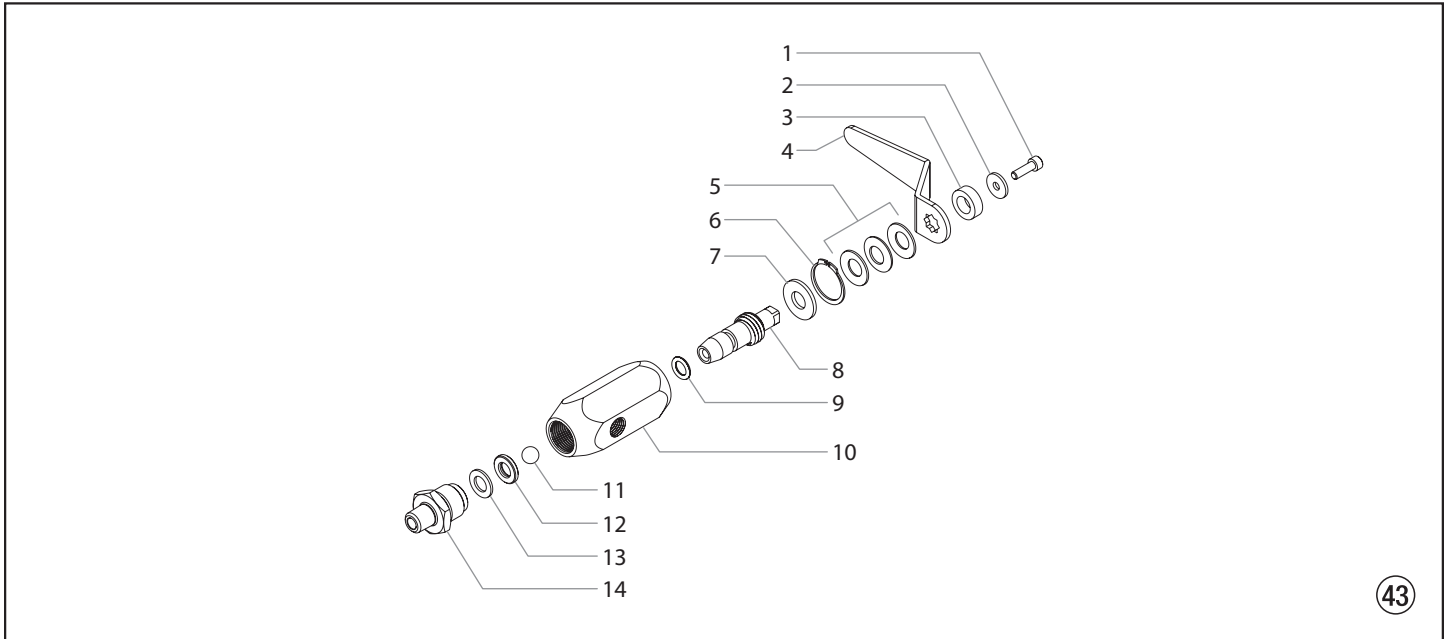


Pos.	PT6900 Plus DI	PT12000 Plus DI	(GB) Description	(D) Benennung	(F) Description
1	0290628A	0290628A	Belt guard, rear	Riemenschutz, hinten	Protège-courroie, derrière
2	9805415	9805415	Screw (4)	Schraube (4)	Vis (4)
3	0290626A	0290626A	Bracket	Befestigungswinkel	Equerre de fixation
4	9805413	9805413	Screw	Schraube	Vis
5	9822523	9822523	Retaining ring	Sicherungsring	Bague de retenue
6	859-001	859-001	Washer	Scheibe	Rondelle
7	0528345	0528345	Bolt	Knopf	Bouton
8	0290794	0290794	Hinge	Gelenkstück	Charnière
9	0524318	0524318	Nut	Mutter	Écrou
10	0290627A	0290627A	Belt guard, front	Riemenschutz, vorne	Protège-courroie, devant

(GB) **Bleed Valve Assembly**

(D) **Ablassventilbaugruppe**

(F) **Assemblage de la soupape de décharge**



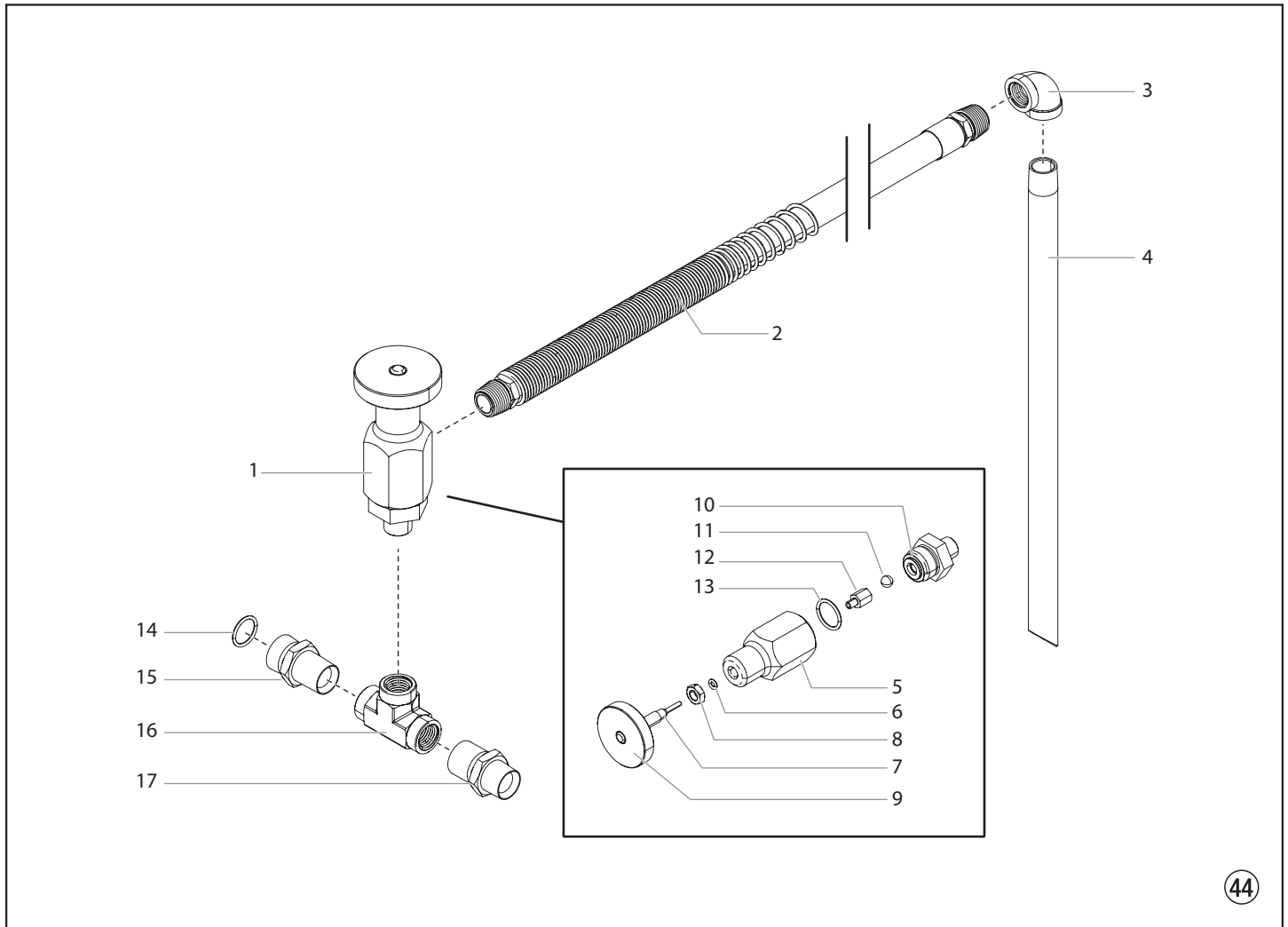
(43)

Pos.	PT6900 Plus DI	PT12000 Plus DI	(GB) Description	(D) Benennung	(F) Description
1	944-047	944-047	Hex screw	Sechskantschraube	Vis hexagonale
2	944-029	944-029	Flat washer	Schiebe	Rondelle
3	295731	295731	Spacer	Abstandhalter	Entretoise
4	295730	295730	Valve handle	Ventilgriff	Poignée de la soupape
5	9820905	9820905	Spring washer (3)	Federscheibe (3)	Rondelle de ressort (3)
6	9822516	9822516	Retaining ring	Haltering	Bague de retenue
7	0294501	0294501	Valve washer	Ventilunterlagsscheibe	Rondelle de soupape
8	944-011	944-011	Valve stem	Ventilschaltspindel	Tige de soupape
9	9871045	9871045	Stem O-ring	Schaltspindel O-Ring	Joint torique de la tige
10	944-009	944-009	Valve housing	Ventilgehäuse	Logement de la soupape
11	9841502	9841502	Ball	Kugel	Bille
12	0294516	0294516	Valve seat	Ventilsitz	Siège de la soupape
13	0294499	0294499	Valve seal	Ventildichtung	Joint de la soupape
14	944-013	944-013	Valve seat retainer	Ventilsitzhalter	Dispositif de retenue du siège de la soupape

Ⓒ **Bleed Valve Assembly, heavy materials**

Ⓓ **Ablassventilbaugruppe, schwere Anstrichen**

Ⓕ **Assemblage de la soupape de décharge, revêtements épais**



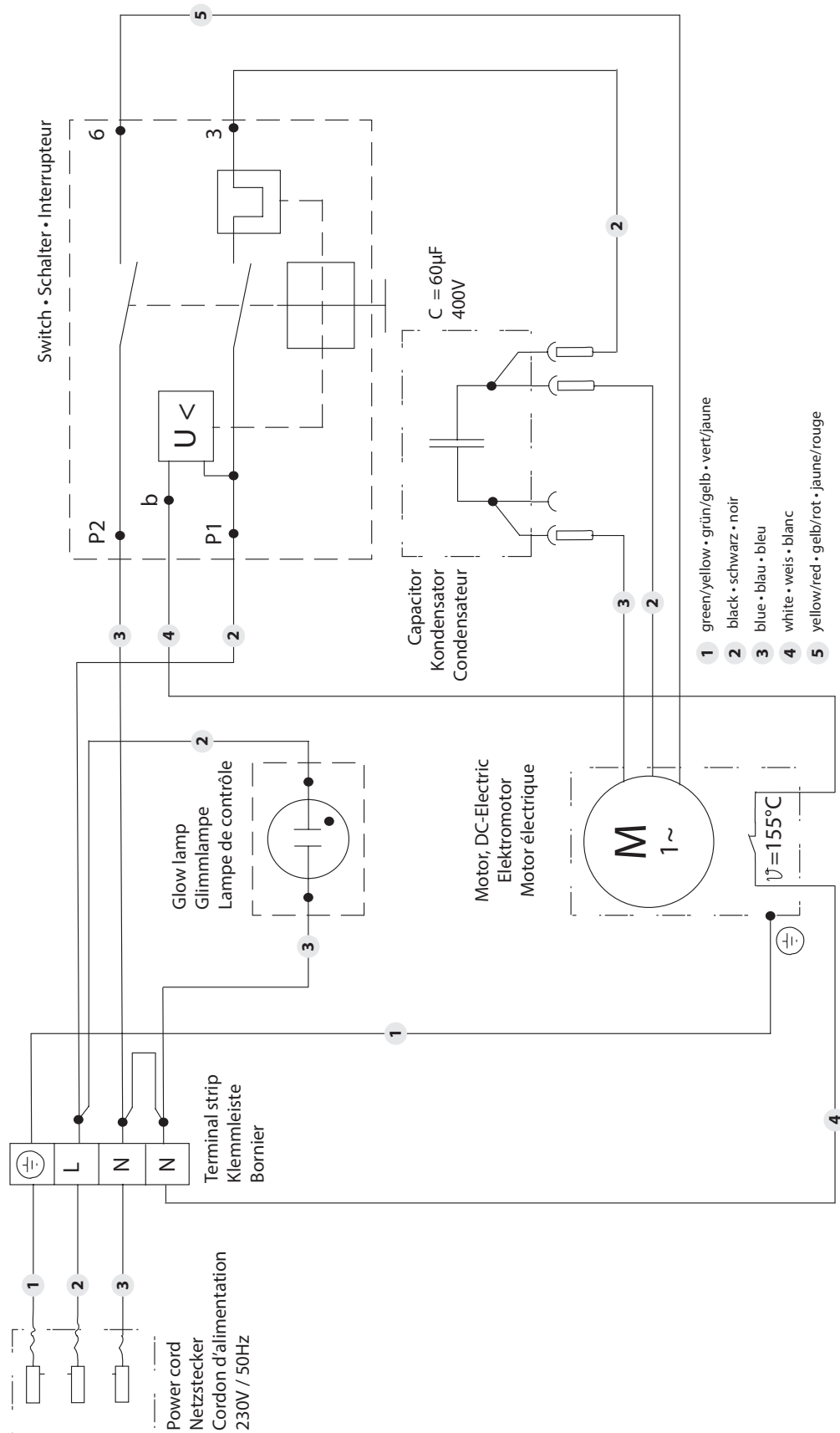
44

Pos.	PT6900 Plus DI (230V)	PT6900 Plus DI (Gas)	PT12000 Plus DI (400 V)	(GB) Description	(D) Benennung	(F) Description
1	945-600A	945-600A	945-600A	Bleed valve (includes items 5-13)	Ablassventil (beinhaltet Teile 5-13)	Vanne de purge (inclut les éléments 5 à 13)
2	538-031	538-031	538-031	Bleed hose	Entlüftungsschlauch	Tuyau de purge
3	201-555	201-555	201-555	Elbow, 90°	Winkelstück, 90°	Coude, 90°
4	103-317	103-317	103-317	Tube	Rohr	Tube
5	945-022	945-022	945-022	Valve housing	Ventilgehäuse	Logement de la soupape
6	891-073	891-073	891-073	O-ring, PTFE	O-Ring, PTFE	Joint torique, PTFE
7	945-023	945-023	945-023	Valve stem	Ventilschaltspindel	Tige de soupape
8	970-011	970-011	970-011	Locknut	Stellmutter	Écrou d'arrêt
9	945-005	945-005	945-005	Knob	Knopf	Bouton
10	945-906	945-906	945-906	Valve seat retainer	Ventilsitzhalter	Dispositif de retenue du siège de la soupape
11	138-226	138-226	138-226	Ball	Kugel	Bille
12	945-026	945-026	945-026	Nut	Mutter	Écrou
13	891-183	891-183	891-183	O-ring, PTFE	O-Ring, PTFE	Joint torique, PTFE
14	703-136	703-136	703-136	O-ring	O-Ring	Joint torique
15	703-132	703-132	703-132	Fitting, 1/2 NPT x 1-18 UNS	Gewinde, 1/2 NPT x 1-18 UNS	Raccord, 1/2 NPT x 1-18 UNS
16	817-003	817-003	817-003	T-fitting	T-Stutzen	Raccord en T
17	813-555	813-555	813-555	Fitting, nipple 3/8 x 1/2	Gewinde, Nippel 3/8 x 1/2	Raccord, mamelon 3/8 x 1/2

(GB) Connection Diagram (230V)

(D) Schaltplan (230V)

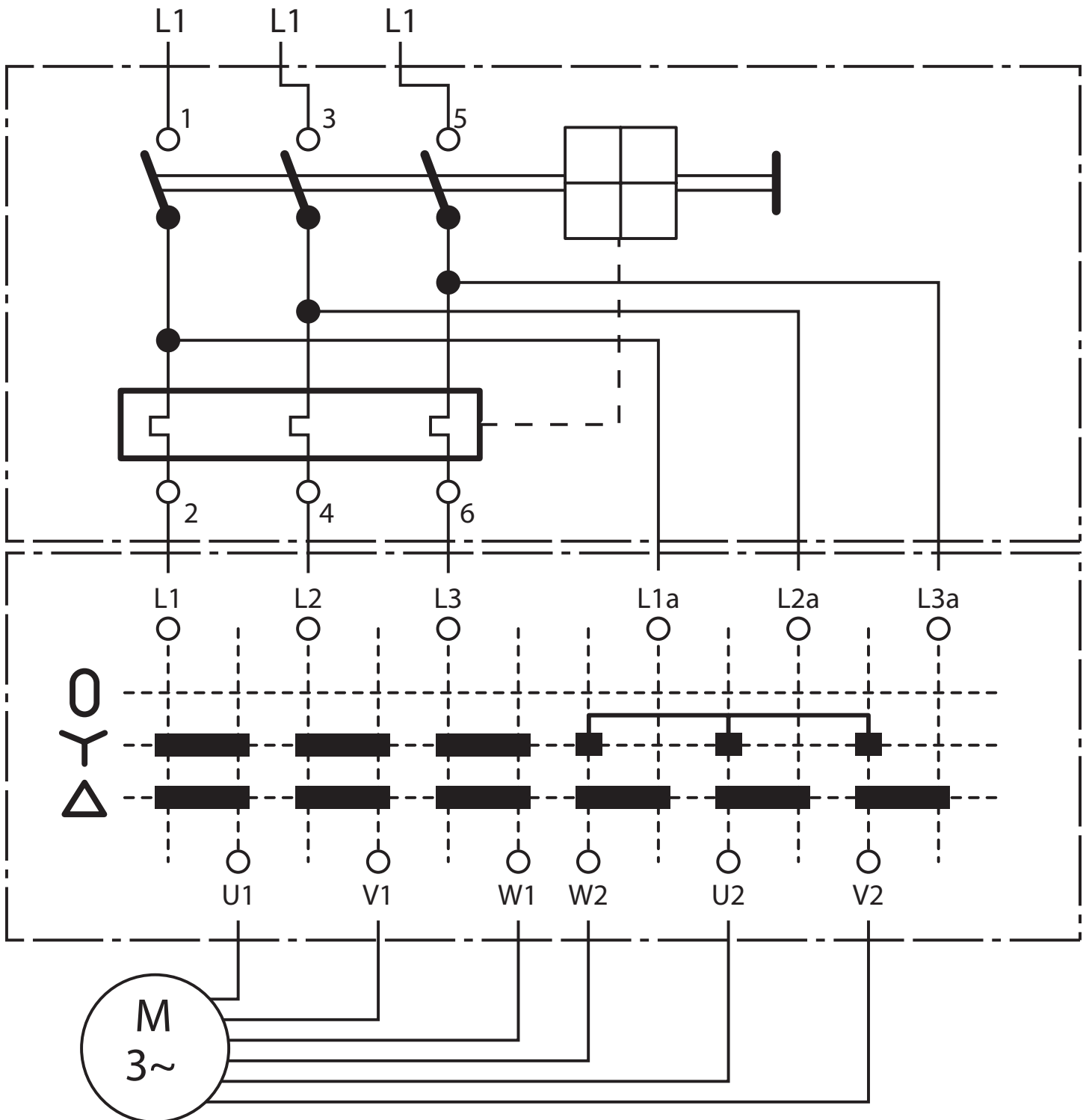
(F) Schéma électrique (230V)



(GB) Connection Diagram (400V)

(D) Schaltplan (400V)

(F) Schéma électrique (400V)



#	(GB) Description	(D) Benennung	(F) Description
103-826	5 Gal. Siphon Hose Assembly w/ Rock Catcher 1" x 4.5'	5 Gal. Saugschlauch w/Steinabschneider 1" x 4.5'	Assemblage du tuyau de siphon de 19 litres avec grille à roches de 2,5 cm x 1,4 m
103-827	55 Gal. Siphon Hose Assembly w/ Rock Catcher 1" x 6.5'	55 Gal. Saugschlauch w/ Steinabschneider 1" x 6.5'	Assemblage du tuyau de siphon de 208 litres avec grille à roches de 2,5 cm x 2 m
0509762A	Rock Catcher	Steinabschneider	Grille à roches
930-004	Paint Filter Element, 0 Mesh (for mastics)	Farbfilterelement, Maschenweite 0 für Mastik)	Élément filtrant, 0 mesh (pour les mastics)
930-005	Paint Filter Element, 5 Mesh (for multicolors and heavy materials)	Farbfilterelement, Maschenweite 5 (für Mehrfarben und schwere Materialien)	Élément filtrant, 5 mesh (pour les peintures multicolores et lourdes)
930-006	Paint Filter Element, 50 Mesh (for latex and normal architectural materials)	Farbfilterelement, Maschenweite 50 (für Latexfarbe und herkömmliche Architekturmaterialeien)	Élément filtrant, 50 mesh (pour les peintures au latex et les peintures bâtiment normales)
930-007	Paint Filter Elements, 100 Mesh (for stains, lacquers and fine materials)	Farbfilterelement, Maschenweite 100 (für Beize, Lacke und feine Materialien)	Élément filtrant, 100 mesh (pour les teintures, les verniss-laque et les produits légers)
538072	RX-Apex™ spray gun, no filter GHT Kit	RX-Apex™ Spritzpistole, ohne Filter GHT-Kit	RX-Apex™ pistolet de pulvérisation, sans filtre trousse de GHT
314-480	Piston Lube™	Piston Lube™	Piston Lube™
430-362	Coolflo™ Hydraulic Fluid, 1 Quart	Coolflo™ Hydraulikflüssigkeit, 1 Quart	Fluide hydraulique Coolflo™, 0,9 litre
430-361	Coolflo™ Hydraulic Fluid, 1 Gallon	Coolflo™ Hydraulikflüssigkeit, 1 Gallone	Fluide hydraulique Coolflo™, 3,8 litres
975-212	2-Gun Manifold with Ball Valves, 1/4"	2-fach Pistolenanschluss mit Kugelventilen, 1/4"	Collecteur à deux pistolets avec soupapes à bille, 0,6 cm
975-213	3-Gun Manifold with Ball Valves, 1/4"	3- fach Pistolenanschluss mit Kugelventilen, 1/4"	Collecteur à trois pistolets avec soupapes à bille, 0,6 cm
975-312	2-Gun Manifold with Ball Valves, 3/8"	2- fach Pistolenanschluss mit Kugelventilen, 3/8"	Collecteur à deux pistolets avec soupapes à bille, 1 cm
975-313	3-Gun Manifold with Ball Valves, 3/8"	3- fach Pistolenanschluss mit Kugelventilen, 3/8"	Collecteur à trois pistolets avec soupapes à bille, 1 cm
808-550	3/8" NPS(M) x 3" hex fitting	3/8" Gewindeanschluss nach nationalem Standard (M) x 3" Sechskantschraube	NPS (mâle) de 1 cm x raccord hexagonal de 7,5 cm
0290071	Belt guard label, PT6900 Plus DI	Kennzeichnung Riemenschutz, PT6900 Plus	Étiquette de la protection de courroie, PT6900 Plus DI
0290074	Belt guard label, PT12000 Plus DI	Kennzeichnung Riemenschutz, PT12000 Plus DI	Étiquette de la protection de courroie, PT12000 Plus DI



GB

### Airless Tip Selection

Tips are selected by the orifice size and fan width. The proper selection is determined by the fan width required for a specific job and by the orifice size that will supply the desired amount of fluid and accomplish proper atomization.

For light viscosity fluids, smaller orifice tips generally are desired. For heavier viscosity materials, larger orifice tips are preferred. Please refer to the chart below.



**Do not exceed the sprayer's recommended tip size.**

The following chart indicates the most common sizes and the appropriate materials to be sprayed.

Tip Size	Spray Material	Filter Type
.011 – .013	Lacquers and stains	100 mesh filter
.015 – .019	Oil and latex	60 mesh filter
.021 – .026	Heavy bodied latex and blockfillers	30 mesh filter

Fan widths measuring 8" to 12" (20 to 30 cm) are preferred because they offer more control while spraying and are less likely to plug.

F

### Choix des embouts à dépression

Le choix des embouts est fonction de la taille de l'orifice et de la largeur du ventilateur. La largeur du ventilateur requise pour une tâche particulière ainsi que la taille de l'orifice permettant de projeter la quantité de produit souhaitée avec l'atomisation requise déterminent le meilleur choix.

En présence de liquides moins visqueux, les embouts munis d'un orifice plus petit sont recommandés. Pour les produits plus épais, les embouts munis d'un orifice plus gros seront préférés. Se reporter au tableau ci-dessous.



**Ne pas utiliser un embout de taille supérieure à celle recommandée pour le vaporisateur.**

Le tableau suivant indique les embouts les plus utilisés ainsi que le produit à vaporiser en fonction de chaque embout.

Taille de l'embout	Produit vaporisé	Type de filtre
.011 – .013	Laques et teintures	100 mailles
.015 – .019	Peintures à huile et au latex	60 mailles
.021 – .026	Peintures épaisses au latex et matériaux de remplissage	30 mailles

Fan widths measuring 8" to 12" (20 to 30 cm) are preferred because they offer more control while spraying and are less likely to plug.

D

### Auswahl an Airless Düsen

Die Düsen werden je nach Düsendurchmesser und Strahlbreite ausgewählt. Die Auswahl hängt von der Strahlbreite ab, die für eine spezielle Arbeit erforderlich ist sowie von der Düsendurchmesser, die die gewünschte Menge an Flüssigkeit aufträgt und für eine korrekte Zerstäubung sorgt.

Für Flüssigkeiten mit leichter Viskosität werden in der Regel Düsen mit kleinerem Düsendurchmesser eingesetzt. Für Materialien mit schwererer Viskosität werden größere Düsendurchmesser bevorzugt. Beachten Sie diesbezüglich die untere Tabelle.



**Verwenden Sie für das Sprühgerät keine Düsenöffnungsgrößen, die größer als empfohlen sind.**

Aus der folgenden Tabelle können Sie die üblichen Größen und die geeigneten Materialien, die aufgesprüht werden können, entnehmen.

Düsen-durchmesser	Spritzmaterial	Filtertyp
.011 – .013	Lacke und Farbe	100 Maschen
.015 – .019	Öl und Latex	60 Maschen
.021 – .026	Dickflüssiges Latex und Blockfüller	30 Maschen

Strahlbreiten von 8" bis 12" (20 bis 30 cm) sind zu bevorzugen, weil sie beim Sprühen besser kontrolliert werden können und seltener verstopfen.

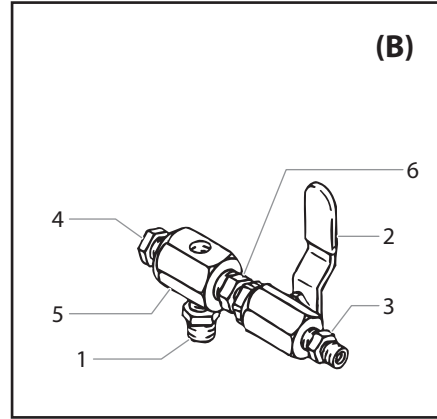
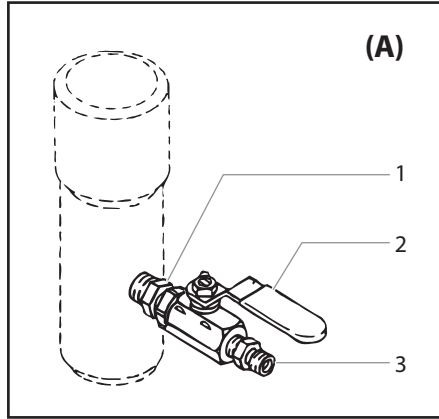
**Ⓞ GB Gun Manifold Assemblies (Optional)**

**Ⓞ D Pistolenmehrfachanschluss (Optional)**

**Ⓞ F Ensembles de collecteur de pistolet (facultatifs)**

**Single Gun • Einfache Pistole • Pistolet simple**

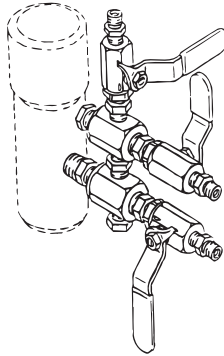
**1-Gun add-on  
1-Pistolenerweiterung  
Pistolet simple  
additionnel**



**Add-A-Gun Kit  
Kit zur  
Pistolenerweiterung  
Trousse pour ajouter  
un pistolet**

Pos.	#	Ⓞ GB Benennung	Ⓞ D Benennung	Ⓞ F Description	(A)		(B)	
					975-111 (1/4" / 6,35 mm)	975-311 (3/8" / 9,53 mm)	975-200 (1/4" / 6,35 mm)	975-300 (3/8" / 9,53 mm)
1	814-002	Nipple, hex	Sechskantnippel	Raccord hexagonal	1		1	
	814-004	Nipple, hex	Sechskantnippel	Raccord hexagonal		1		1
2	940-553	Ball valve	Ballventil	Soupape à bille	1		1	
	941-555	Ball valve	Ballventil	Soupape à bille		1		1
3	227-006	Nipple, hex	Sechskantnippel	Raccord hexagonal	1		1	
	808-555	Nipple, hex	Sechskantnippel	Raccord hexagonal		1		1
4	227-033	Pipe plug	Rohrstöpsel	Bouchon fileté			1	1
5	970-100	Block, manifold	Block, Düsenkanal	Bloc, collecteur			1	1
6	814-004	Nipple, hex	Sechskantnippel	Raccord hexagonal			1	1

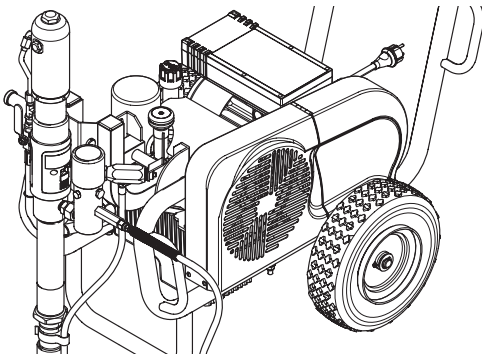
**Multiple Gun • Mehrfachpistole • Pistolet multiple**



**3-Gun manifold assembly  
Pistole mit 3-fach Anschluss  
Ensemble du collecteur à trois pistolets**

#	Benennung Description Description	975-212 2-Gun (1/4" / 6,35 mm)	975-213 3-Gun (1/4" / 6,35 mm)	975-312 2-Gun (3/8" / 9,53 mm)	975-313 3-Gun (3/8" / 9,53 mm)	975-314 4-Gun (3/8" / 9,53 mm)
975-111	A (1/4", 6,35 mm)	1	1			
975-311	A (3/8", 9,53 mm)			1	1	1
975-200	B (1/4", 6,35 mm)	1	2			
975-300	B (3/8", 9,53 mm)			1	2	3

**Serial Plate Location • Position des  
Typenschildes • Emplacement de la plaque  
signalétique**





## Warranty

Titan Tool, Inc., ("Titan") warrants that at the time of delivery to the original purchaser for use ("End User"), the equipment covered by this warranty is free from defects in material and workmanship. With the exception of any special, limited, or extended warranty published by Titan, Titan's obligation under this warranty is limited to replacing or repairing without charge those parts which, to Titan's reasonable satisfaction, are shown to be defective within twelve (12) months after sale to the End User. This warranty applies only when the unit is installed and operated in accordance with the recommendations and instructions of Titan.

This warranty does not apply in the case of damage or wear caused by abrasion, corrosion or misuse, negligence, accident, faulty installation, substitution of non-Titan component parts, or tampering with the unit in a manner to impair normal operation.

Defective parts are to be returned to an authorized Titan sales/service outlet. All transportation charges, including return to the factory, if necessary, are to be borne and prepaid by the End User. Repaired or replaced equipment will be returned to the End User transportation prepaid.

THERE IS NO OTHER EXPRESS WARRANTY. TITAN HEREBY DISCLAIMS ANY AND ALL IMPLIED WARRANTIES INCLUDING, BUT NOT LIMITED TO, THOSE OF MERCHANTABILITY AND FITNESS FOR A PARTICULAR PURPOSE, TO THE EXTENT PERMITTED BY LAW. THE DURATION OF ANY IMPLIED WARRANTIES WHICH CANNOT BE DISCLAIMED IS LIMITED TO THE TIME PERIOD SPECIFIED IN THE EXPRESS WARRANTY. IN NO CASE SHALL TITAN LIABILITY EXCEED THE AMOUNT OF THE PURCHASE PRICE. LIABILITY FOR CONSEQUENTIAL, INCIDENTAL OR SPECIAL DAMAGES UNDER ANY AND ALL WARRANTIES IS EXCLUDED TO THE EXTENT PERMITTED BY LAW.

TITAN MAKES NO WARRANTY AND DISCLAIMS ALL IMPLIED WARRANTIES OF MERCHANTABILITY AND FITNESS FOR A PARTICULAR PURPOSE WITH RESPECT TO ACCESSORIES, EQUIPMENT, MATERIALS OR COMPONENTS SOLD BUT NOT MANUFACTURED BY TITAN. THOSE ITEMS SOLD, BUT NOT MANUFACTURED BY TITAN (SUCH AS GAS ENGINES, SWITCHES, HOSES, ETC.) ARE SUBJECT TO THE WARRANTY, IF ANY, OF THEIR MANUFACTURER. TITAN WILL PROVIDE THE PURCHASER WITH REASONABLE ASSISTANCE IN MAKING ANY CLAIM FOR BREACH OF THESE WARRANTIES.



## Garantie

Titan Tool, Inc., ("Titan") garantiert, dass zum Zeitpunkt der Lieferung (an den Käufer („Endverbraucher“) die Ausrüstung, die von dieser Garantie abgedeckt ist, frei von Material- und Fabrikationsfehler ist. Mit Ausnahme spezieller, eingeschränkter oder erweiterter Garantie, die Titan bekannt gegeben hat, ist die Gewährleistungsverpflichtung von Titan beschränkt auf den kostenlosen Austausch oder Nachbesserung für jene Teile, die, nachdem dies Titan nachvollziehbar nachgewiesen wurden, binnen zwölf (12) Monaten nach Verkauf an den Endverbraucher sich als fehlerhaft erweisen. Die Garantie greift nur, wenn das Gerät gemäß den Empfehlungen und Anweisungen von Titan installiert und bedient wurde.

Diese Garantie gilt nicht bei Beschädigung oder Abnutzung durch Abrieb, Korrosion oder unsachgemäße Benutzung, Unachtsamkeit, Unfall, unsachgemäße Installation, Verwendung von Ersatzteilen, die nicht von Titan stammen bzw. wenn Änderungen an dem Gerät vorgenommen wurden wodurch eine normale Benutzung beeinträchtigt wird

Defekte Teile müssen an den autorisierten Titan-Händler/ die autorisierte Titan-Niederlassung zurückgeschickt werden. Alle Transportkosten, einschließlich der Rücksendung an die Fabrik, falls erforderlich, sind vom Endverbraucher zu tragen und müssen im Voraus bezahlt werden. Repariertes oder ausgetauschtes Zubehör wird auf Kosten des Endverbrauchers nach Vorauszahlung der Transportkosten zurückgeschickt

ES GIBT SONST KEINE ANDERE MÄNGELGARANTIE. TITAN SCHLIESST HIERMIT ALLE UND JEDE STILLSCHWEIGENDE GARANTIE AUS, EINSCHLIESSLICH, JEDOCH NICHT BESCHRÄNKT AUF MARKTFÄHIGKEIT UND EIGNUNG FÜR EINEN BESTIMMTEN ZWECK, SOWEIT GESETZLICH ZULÄSSIG. DIE DAUER ALLER STILLSCHWEIGENDEN GARANTIEN, DIE NICHT AUSGESCHLOSSEN WERDEN KÖNNEN, SIND BESCHRÄNKT AUF DIE IN DER AUSDRÜCKLICHEN GARANTIE FESTGELEGTE DAUER. TITAN HAFTET IN KEINER WEISE ÜBER DEN KAUFPREIS HINAUS. DIE HAFTUNG FÜR FOLGESCHÄDEN, ZUFÄLLIGE SCHÄDEN ODER SPEZIELLE SCHÄDEN UNTER JEDER UND ALLEN GARANTIEN IST AUSGESCHLOSSEN SOWEIT GESETZLICH ZUGELASSEN.

TITAN ÜBERNIMMT KEINE GARANTIE UND SCHLIESST ALLE STILLSCHWEIGENDEN GARANTIEN AUF MARKTFÄHIGKEIT UND EIGNUNG FÜR EINEN BESTIMMTEN ZWECK BEZÜGLICH ZUBEHÖR, AUSRÜSTUNG, MATERIALIEN UND KOMPONENTEN AUS, DIE VON TITAN VERKAUFT, JEDOCH NICHT HERGESTELLT WURDEN. JENE VON TITAN VERKAUFTEN, JEDOCH NICHT VON TITAN HERGESTELLTEN KOMPONENTEN (WIE Z.B. GASMOTOREN, SCHALTER, SCHLÄUCHE, ETC.) UNTERLIEGEN DER GEWÄHRLEISTUNG DES JEWEILIGEN HERSTELLERS, SOFERN DIESE GEWÄHRT WERDEN. TITAN UNTERSTÜTZT DEN KÄUFER IN ANGEMESSENER WEISE, WENN ES UM ANSPRÜCHE WEGEN DER VERLETZUNG VON GEWÄHRLEISTUNGEN GEHT.

## Garantie

Titan Tool, Inc. ("Titan") garantit qu'au moment de la livraison à l'acheteur initial ("Utilisateur"), l'appareil couvert par la présente garantie sera exempt de défauts de matériaux et de fabrication. Exception faite de toute garantie particulière ou limitée et de toute extension de garantie publiées par Titan, la responsabilité de celui-ci se limite, en vertu de la présente garantie, au remplacement ou à la réparation sans frais des pièces dont le caractère défectueux aura été démontré de manière satisfaisante pour Titan, dans un délai de douze (12) mois après la date d'achat par l'Utilisateur. Cette garantie ne sera applicable que si l'appareil a été installé et utilisé conformément aux recommandations et directives de Titan.

Cette garantie ne sera pas applicable dans les cas d'endommagement ou d'usure dus à l'abrasion, la corrosion, un mauvais usage, la négligence, un accident, une installation incorrecte, un remplacement par des composants non fournis par Titan ou toute autre intervention non autorisée de nature à nuire au fonctionnement normal de l'appareil.

Les pièces défectueuses devront être envoyées à un centre de service / vente Titan autorisé. Les frais de transport couvrant y compris le retour à l'usine, seront, le cas échéant, prépayés par l'Utilisateur. Après réparation ou remplacement, les pièces seront renvoyées à ce dernier par transport prépayé.

AUCUNE AUTRE GARANTIE EXPRESSE N'EST ACCORDÉE. TITAN REJETTE TOUTE AUTRE GARANTIE IMPLICITE Y COMPRIS, NOTAMMENT, LES GARANTIES DE QUALITÉ MARCHANDE ET DE COMPATIBILITÉ AVEC UN USAGE PARTICULIER, DANS LES LIMITES PERMISES PAR LA LOI.

LA DURÉE DES GARANTIES IMPLICITES NE POUVANT FAIRE L'OBJET D'UNE RENONCIATION SE LIMITE À LA PÉRIODE INDIQUÉE DANS LA GARANTIE EXPRESSE.

LA RESPONSABILITÉ DE TITAN NE SAURAIT EN AUCUN CAS ÊTRE ENGAGÉE POUR UN MONTANT SUPÉRIEUR À CELUI DU PRIX D'ACHAT. TITAN EXCLUT TOUTE RESPONSABILITÉ RELATIVE AUX DOMMAGES INDIRECTS, ACCESSOIRES OU PARTICULIERS, DANS LES LIMITES PRÉVUES PAR LA LOI.

TITAN NE DONNE AUCUNE GARANTIE ET DÉCLINE TOUTE GARANTIE IMPLICITE DE QUALITÉ MARCHANDE ET DE COMPATIBILITÉ AVEC UN USAGE PARTICULIER EN CE QUI CONCERNE LES ACCESSOIRES, L'APPAREIL, LES MATÉRIAUX OU LES COMPOSANTS VENDUS MAIS NON FABRIQUÉS PAR TITAN. CES DERNIERS ÉLÉMENTS, VENDUS MAIS NON FABRIQUÉS PAR TITAN (MOTEURS À ESSENCE, COMMUTATEURS, FLEXIBLES, ETC.), SONT SOUMIS, LE CAS ÉCHÉANT, À LA GARANTIE DU FABRICANT. TITAN S'ENGAGE À PORTER ASSISTANCE AUX ACHETEURS, DANS LES LIMITES DU RAISONNABLE, POUR LA CONSTITUTION DE RÉCLAMATIONS RELATIVES AU NON RESPECT DE CES GARANTIES.

<b>GB</b>	<p><b>EU Declaration of conformity</b></p> <p>We declare under sole responsibility that this product conforms to the following relevant stipulations: 2006/42/EC, 2014/30/EU, 2011/65/EU, 2012/19/EU Applied harmonised norms: EN ISO 12100, EN 1953, EN 60204-1, EN 61000-3-2, EN 61000-3-3, EN 61000-6-1, EN 61000-6-3,</p> <p>The EU declaration of conformity is enclosed with the product. If required, it can be re-ordered using order number <b>2338025</b>.</p>
<b>D</b>	<p><b>EU Konformitätserklärung</b></p> <p>Wir erklären in alleiniger Verantwortung, dass dieses Produkt den folgenden einschlägigen Bestimmungen entspricht: 2006/42/EG, 2014/30/EU, 2011/65/EU, 2012/19/EU Angewandte harmonisierte Normen: EN ISO 12100, EN 1953, EN 60204-1, EN 61000-3-2, EN 61000-3-3, EN 61000-6-1, EN 61000-6-3</p> <p>Die EU Konformitätserklärung liegt dem Produkt bei. Sie kann bei Bedarf mit der Bestellnummer <b>2338025</b> nachbestellt werden.</p>
<b>F</b>	<p><b>Déclaration de conformité UE</b></p> <p>Nous déclarons sous notre responsabilité que ce produit est en conformité avec les réglementations suivantes: 2006/42/CE, 2014/30/UE, 2011/65/UE, 2012/19/UE Conforme aux normes et documents normalisés: EN ISO 12100, EN 1953, EN 60204-1, EN 61000-3-2, EN 61000-3-3, EN 61000-6-1, EN 61000-6-3</p> <p>La déclaration de conformité UE est jointe à ce produit. Elle peut être commandée au besoin sous le numéro de commande <b>2338025</b>.</p>
<b>I</b>	<p><b>Dichiarazione di conformità UE</b></p> <p>Dichiariamo sotto la nostra esclusiva responsabilità, che il presente prodotto corrisponde alle relative disposizioni seguenti: 2006/42/CE, 2014/30/UE, 2011/65/UE, 2012/19/UE Norme armonizzate: EN ISO 12100, EN 1953, EN 60204-1, EN 61000-3-2, EN 61000-3-3, EN 61000-6-1, EN 61000-6-3</p> <p>La dichiarazione di conformità UE è allegata al prodotto. Se necessario, può esserne richiesta una copia con il numero d'ordine <b>2338025</b>.</p>
<b>E</b>	<p><b>Declaración UE de conformidad</b></p> <p>Mediante la presente garantizamos, bajo nuestra exclusiva responsabilidad, que este producto cumple con las correspondientes disposiciones: 2006/42/CE, 2014/30/UE, 2011/65/UE, 2012/19/UE Normas armonizadas aplicadas: EN ISO 12100, EN 1953, EN 60204-1, EN 61000-3-2, EN 61000-3-3, EN 61000-6-1, EN 61000-6-3</p> <p>El producto viene acompañado de la declaración UE de conformidad. Si lo necesita, puede pedirla adicionalmente por el número de pedido <b>2338025</b>.</p>
<b>NL</b>	<p><b>EU-conformiteitsverklaring</b></p> <p>Wij verklaren dat dit product voldoet aan de volgende normen: 2006/42/EG, 2014/30/EU, 2011/65/EU, 2012/19/EU En normatieve documenten: EN ISO 12100, EN 1953, EN 60204-1, EN 61000-3-2, EN 61000-3-3, EN 61000-6-1, EN 61000-6-3</p> <p>De EU-conformiteitsverklaring wordt met het product meegeleverd. Indien nodig kan de verklaring met bestelnummer <b>2338025</b> worden nabesteld.</p>

<p><b>DK</b></p>	<p><b>EU Overensstemmelseserklæring</b></p> <p>Vi erklærer under almindeligt ansvar, at dette produkt er i overensstemmelse med følgende bestemmelser: 2006/42/EF, 2014/30/EU, 2011/65/EU, 2012/19/EU</p> <p>Anvendte harmoniserede normer: EN ISO 12100, EN 1953, EN 60204-1, EN 61000-3-2, EN 61000-3-3, EN 61000-6-1, EN 61000-6-3</p> <p>EU Overensstemmelseserklæringen er vedlagt produktet. Om nødvendigt kan den efterbestilles med bestillingsnummer <b>2338025</b>.</p>
<p><b>S</b></p>	<p><b>EU Konformitetsförklaring</b></p> <p>Vi intygar och ansvarar för, att denna produkt överensstämmer med följande norm och dokument: 2006/42/EG, 2014/30/EU, 2011/65/EU, 2012/19/EU</p> <p>Använta harmoniserade normer: EN ISO 12100, EN 1953, EN 60204-1, EN 61000-3-2, EN 61000-3-3, EN 61000-6-1, EN 61000-6-3</p> <p>EU-konformitetsförklaringen medföljer produkten. Den kan vid behov beställas genom ordernummer <b>2338025</b>.</p>
<p><b>P</b></p>	<p><b>Declaração de Conformidade UE</b></p> <p>Pela presente garantimos, soba nossa exclusiva responsabilidade, que este produto cumpre com as correspondentes disposições: 2006/42/CE, 2014/30/UE, 2011/65/UE, 2012/19/UE</p> <p>Normas harmonizadas aplicadas: EN ISO 12100, EN 1953, EN 60204-1, EN 61000-3-2, EN 61000-3-3, EN 61000-6-1, EN 61000-6-3</p> <p>A Declaração de Conformidade EU é fornecida juntamente com o produto. Se necessário, pode ser pedido novo exemplar desta declaração com o número de encomenda <b>2338025</b>.</p>

**(GB)**

**Note on disposal:**

In observance of the European Directive 2012/19/EU on waste electrical and electronic equipment and implementation in accordance with national law, this product is not to be disposed of together with household waste material but must be recycled in an environmentally friendly way!



Titan or one of our dealers will take back your used Titan waste electrical or electronic equipment and will dispose of it for you in an environmentally friendly way. Please ask your local Titan service centre or dealer for details or contact us direct.

**(D)**

**Entsorgungshinweis:**

Gemäß der europäischen Richtlinie 2012/19/EU zur Entsorgung von Elektro-Altgeräten, und deren Umsetzung in nationales Recht, ist dieses Produkt nicht über den Hausmüll zu entsorgen, sondern muss der umweltgerechten Wiederverwertung zugeführt werden!



Ihr Titan-Altgerät wird von uns, bzw. unseren Handelsvertretungen zurückgenommen und für Sie umweltgerecht entsorgt. Wenden Sie sich in diesem Fall an einen unserer Service-Stützpunkte, bzw. Handelsvertretungen oder direkt an uns.

**(F)**

**Consignes d'élimination:**

Selon la directive européenne 2012/19/UE sur l'élimination des vieux appareils électriques et sa conversion en droit national, ce produit ne peut pas être jeté dans les ordures ménagères, mais est à amener à un point de recyclage en vue d'une élimination dans le respect de l'environnement!



Titan, resp. nos représentations commerciales reprennent votre vieil appareil Titan pour l'éliminer dans le respect de l'environnement. Adressez-vous donc directement à nos points de service resp. représentations commerciales ou directement à nous.



**TITAN®**

**POWRTWIN™  
PLUS DI**

**Powered By Speeflo® HydraDrive™**

**UNITED STATES SALES & SERVICE**

**WEB:** [www.titantool.com](http://www.titantool.com)

**PHONE:** 1-800-526-5362

1770 Fernbrook Lane

Minneapolis, MN 55447

**INTERNATIONAL**

**WEB:** [www.titantool-international.com](http://www.titantool-international.com)