

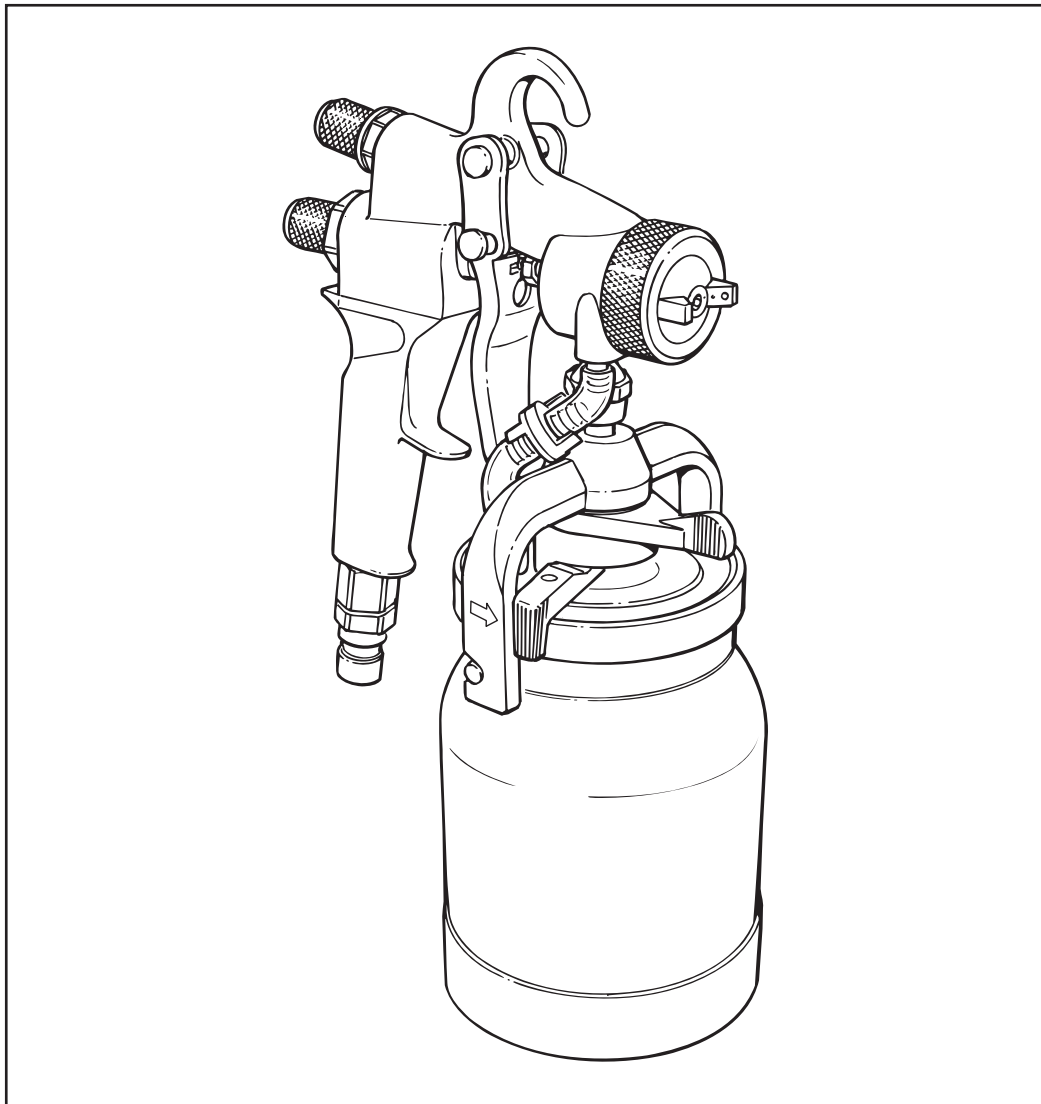


**Advanced Performance. Total Reliability.**

**Owner's Manual**  
**Notice d'utilisation**  
**Manual del Proprietario**  
Do not use this equipment before  
reading this manual!

# **CAPSPRAY Maxum II**

## **HVLP Spray Gun**



**Model Numbers:**

**0277034    0277057    0524041**  
**0277076    0277088**

**NOTE:** This manual contains important warnings and instructions. Please read and retain for reference.



# Important Safety Information • Read all safety information before operating the equipment. SAVE THESE INSTRUCTIONS.



This symbol indicates a hazardous situation, which, if not avoided could result in death or serious injury.



To reduce the risks of fire or explosion, electrical shock and the injury to persons, read and understand all instructions included in this manual. Be familiar with the controls and proper usage of the equipment.

## HAZARD: EXPLOSION HAZARD DUE TO INCOMPATIBLE MATERIALS

Will cause property damage or severe injury.

### PREVENTION:

- Do not use materials containing bleach or chlorine.
- Do not use halogenated hydrocarbon solvents such as bleach, mildewcide, methylene chloride and 1,1,1 - trichloroethane. They are not compatible with aluminum.
- Contact your coating supplier about the compatibility of material with aluminum.



## HAZARD: GENERAL

Can cause severe injury or property damage.

### PREVENTION:

- Read all instructions and safety precautions before operating any equipment.
- Follow all appropriate local, state, and national codes governing ventilation, fire prevention, and operation.
- The United States Government Safety Standards have been adopted under the Occupational Safety and Health Act (OSHA). These standards, particularly Part 1910 of the General Standards and Part 1926 of the Construction Standard should be consulted.
- Use only manufacturer authorized parts. User assumes all risks and liabilities when using parts that do not meet the minimum specifications and safety devices of the manufacturer.
- Before each use, check all hoses for cuts, leaks, abrasion or bulging of cover. Check for damage or movement of couplings. Immediately replace the hose if any of these conditions exist. Never repair a hose. Replace it with an identical replacement hose.
- Do not spray outdoors on windy days.
- Wear clothing to keep paint off skin and hair.
- Never aim the spray gun at any part of the body.

## HAZARD: HAZARDOUS VAPORS

Paints, solvents, insecticides, and other materials can be harmful if inhaled or come in contact with the body. Vapors can cause severe nausea, fainting, or poisoning.



### PREVENTION:

- Use a respirator or mask if vapors can be inhaled. Read all instructions supplied with the mask to be sure it will provide the necessary protection.
- Wear protective eyewear.
- Wear protective clothing as required by coating manufacturer.



## HAZARD: SKIN BURN INJURY

Heated parts can cause severe skin burn injury.

### PREVENTION:

- Quick disconnect fittings on the hose and spray gun become hot during use. Avoid skin contact with quick disconnect fittings when they are hot. Allow quick disconnect fittings to cool before disconnecting the spray gun from the hose.

## HAZARD: EXPLOSION OR FIRE

Solvent and paint fumes can explode or ignite. Property damage and/or severe injury can occur.



### PREVENTION:

- Provide extensive exhaust and fresh air introduction to keep the air within the spray area free from accumulation of flammable vapors.
- Avoid all ignition sources such as static electric sparks, open flames, pilot lights, and hot objects. Connecting or disconnecting power cords or working light switches can make sparks.
- Do not smoke in spray area.
- Fire extinguisher must be present and in good working order.
- The power cord must be connected to a grounded circuit.
- Follow the material and solvent manufacturer's safety precautions and warnings.
- Use extreme caution when using materials with a flashpoint below 70° F (21° C). Flashpoint is the temperature that a fluid can produce enough vapors to ignite.
- Plastic can cause static sparks. Never hang plastic to enclose a spray area. Do not use plastic drop cloths when spraying flammable materials.



## Table of Contents

Safety.....	2
Service.....	3
Introduction.....	3
Using an HVLP Spray Gun.....	3-5
Preparing to Spray.....	3
Selecting a Spray Pattern.....	3
Spray Pattern Size.....	4
Adjusting the Material and Air Flow.....	4
Spraying.....	4
Adjusting the Swivel Tube.....	4
Cleaning your Spray Gun.....	5
Maintenance.....	5-7
Adjusting the Packing Nut.....	5
Replacing the Needle Packing and Air Valve Seals.....	5
Replacing the Check Valve, Valve Seal, and Air Tubes.....	6
Replacing the Cup Gasket.....	7
Converting to a Single Pin Trigger.....	7
Using a Pressure Feed System.....	7-8
Converting the Gun to Pressure Feed.....	7
Connecting to a 2-Quart Remote Pressure Pot System.....	8
Converting the Gun to a Regulator Gun.....	8
Converting the Gun from Non-Bleeder to Bleeder.....	8
Choosing a Projector Set.....	9
Changing a Projector Set.....	9
Optional Accessories.....	9
Material reduction/projector set chart.....	10
Troubleshooting.....	11
Turbine Cup Gun Parts List.....	32-33
Turbine Pressure Feed Gun Parts List.....	34-35
Regulator Cup Gun Parts List.....	36-37
Compressor Pressure Feed Gun Parts List.....	38-39
Français.....	12
Español.....	22
Warranty.....	42

## Service

Should your HVLP spray gun need service during the warranty period, return the unit and the proof of purchase to the distributor where it was purchased. At our option, the unit will be repaired or replaced. In a continued commitment to improve quality, we reserve the right to make component or design changes when necessary.

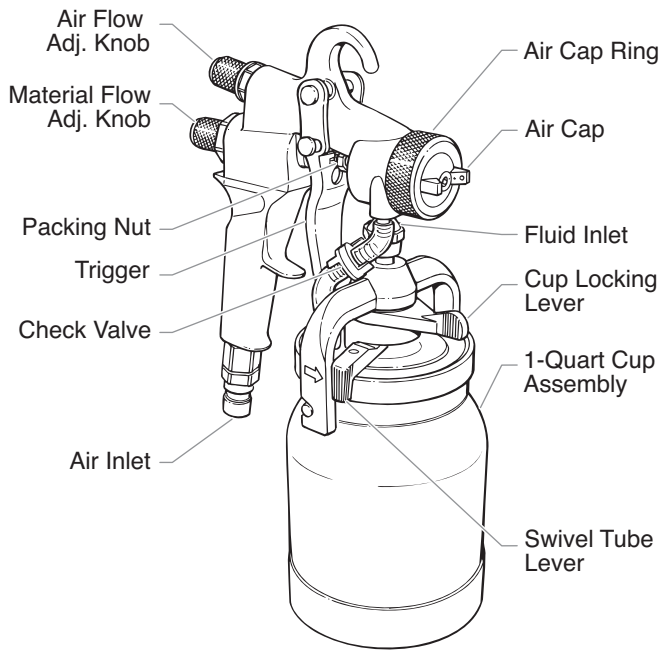
## Introduction

These spray guns are designed for use in a High Volume/Low Pressure (HVLP) painting system.

With an HVLP system, the highest quality professional finish can be achieved with little preparation or setup time. HVLP systems are not intended to replace airless systems. Instead, they are meant to compliment airless by improving the final finish on the substrate, minimizing waste, and reducing labor time. In addition to enhancing profitability, HVLP systems are compliant with the most stringent transfer efficiency requirements.

The HVLP spray guns described in this manual include the turbine cup gun, the turbine regulator gun, the turbine top feed gun, the regulator cup gun, and the regulator top feed gun. Please review all the information contained in this manual before operating an HVLP system.

**NOTE: The general operation and maintenance of each style of HVLP spray gun are the same. For illustration purposes, the turbine cup gun is pictured. However, any information specific to a style of gun is described where necessary. A parts listing for each style of gun is included near the back of this manual.**



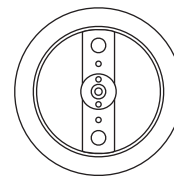
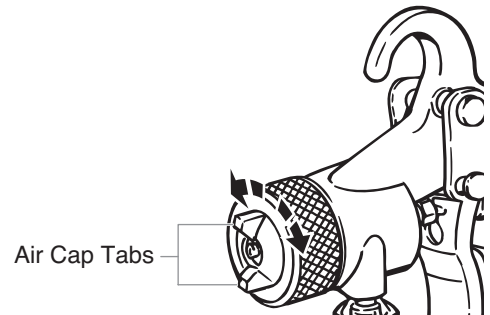
## Using an HVLP Spray Gun

### Preparing to Spray

1. Release the cup locking lever and remove the cup.
2. Make sure that the cup and the cup gasket is clean and in position. Fill the cup with the desired painting material.
3. Place the cup on the spray gun and tighten the cup locking lever.
4. Attach the air supply hose to the air inlet fitting at the bottom of the gun handle.
5. Turn on the air supply.

### Selecting a Spray Pattern

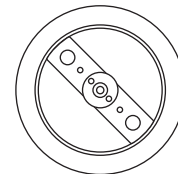
The spray pattern is adjusted by turning the air cap into either a vertical, horizontal, or diagonal position. To turn the air cap, grasp the two front tabs and twist. Never trigger the gun while adjusting the spray pattern.



Vertical Tip Position



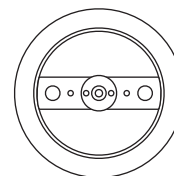
Horizontal Pattern



Diagonal Tip Position



Round Pattern



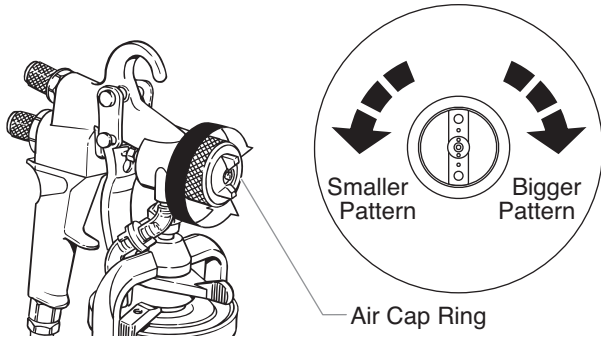
Horizontal Tip Position



Vertical Pattern

## Spray Pattern Size

To change the spray pattern size without changing the spray pattern shape, turn the air cap ring.

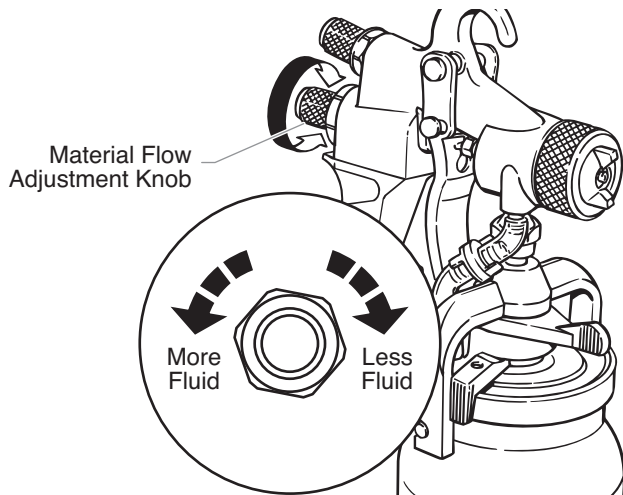


Turning the ring clockwise will make the pattern bigger. Turning the ring counterclockwise will make the pattern smaller. As you reduce the spray pattern size, you will need to move closer to the surface.

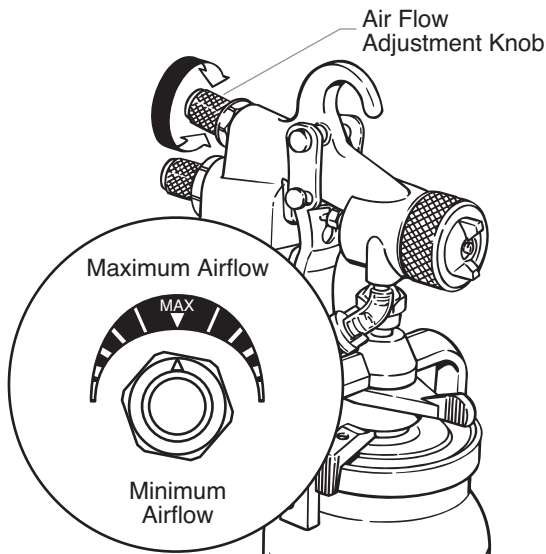
## Adjusting the Material and Air Flow

Each individual job and material may require slight adjustments in the material flow and air flow.

Turn the material flow adjustment knob clockwise for less fluid and counterclockwise for more fluid.



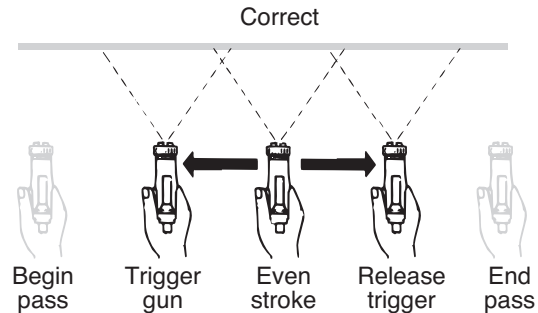
Turn the air flow adjustment knob to adjust for more or less air. Set the mark on the knob straight up for maximum airflow. Remember to test the spray on a piece of scrap wood or cardboard before using.



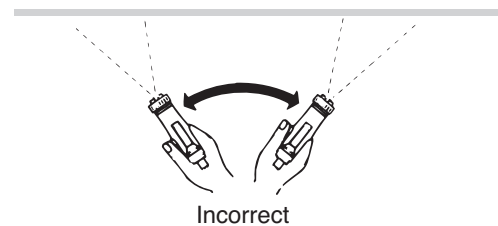
## Spraying

Hold the spray gun between 1 and 8 inches from the spraying surface, depending on the size of the spray pattern that you need. The closer to the surface you hold the gun, the smaller the spray pattern.

Keep the gun at right angles to the spraying surface in order to apply an even coat of material. If you keep the spray gun moving at a smooth and constant speed, the spray material is less likely to run or sag.



Always squeeze the trigger of the spray gun after you begin your spray pass and release it before the pass is done. For best results, make the spray passes about 20 inches long and overlap each pass by 4 or 5 inches. Remember to keep the gun at right angles to the spraying surface.

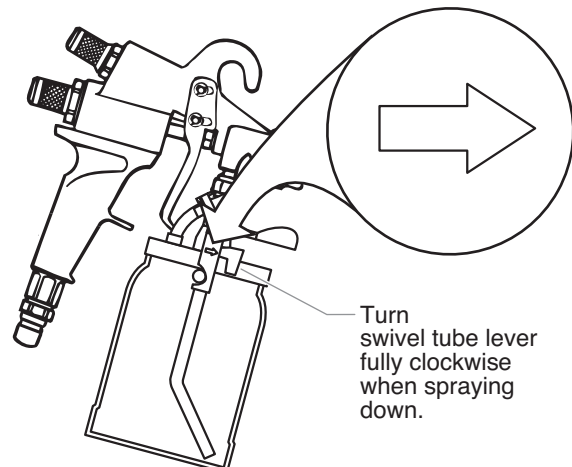


## Adjusting the Swivel Tube

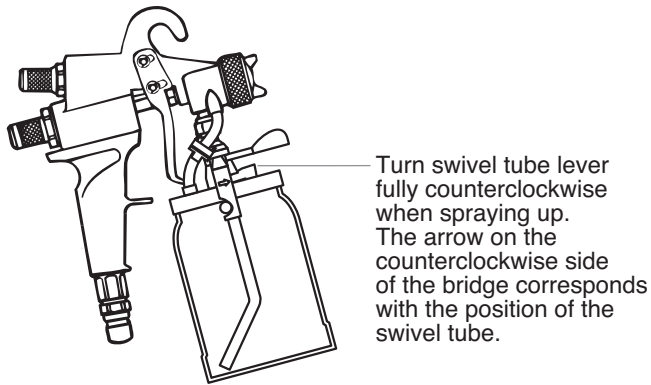
The adjustable swivel tube on your spray gun lets you get the most out of the material in your cup no matter at what angle you need to spray.

If you are holding your spray gun angled down, turn the swivel tube lever fully clockwise.

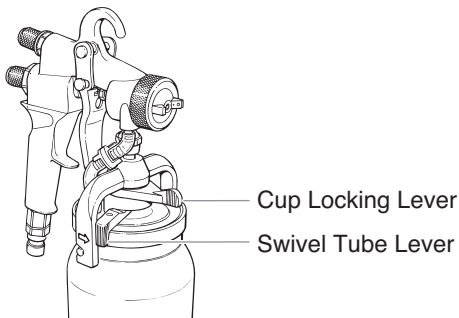
**NOTE:** An arrow on each side of the bridge indicates the direction that the swivel tube is pointing when the swivel tube lever is in its fully clockwise or fully counterclockwise position.



If you are holding the spray gun angled up, turn the swivel tube lever fully counterclockwise.



**NOTE:** The swivel tube lever is directly below the cup locking lever. The cup locking lever secures the cup to the spray gun.



## Cleaning your Spray Gun

It is very important to clean your HVLP spray gun thoroughly after each use.

1. Empty the spray material from the cup.
2. Pour a small amount of the appropriate solvent in the cup and attach the cup to the spray gun.
3. Shake and spray the gun in a well ventilated area.

**NOTE:** Do not restrict the nozzle when cleaning. Back flushing of the system is not necessary.

4. Repeat the steps above until the solvent appears clear.
5. Wipe the interior/exterior of the cup and the spray gun with the appropriate solvent until it is clean.
6. Remove the needle, fluid nozzle, and air cap and clean them thoroughly. Make sure that the air holes and material passages are completely clean. Never use metal tools or picks to clean the air cap or nozzle.

**IMPORTANT:** Any attempt to remove the fluid inlet fitting will result in damage to the gun body and void the warranty.

**NOTE:** Remove the needle packing only when replacing with a new needle packing. Do not remove the needle packing for cleaning.

7. Disassemble, clean, and dry the check valve and air tubes after each use.

**IMPORTANT:** DO NOT clean the air tubes with hot solvents such as lacquer thinner. Hot solvents will damage the air tubes.

**NOTE:** Lubricate all of the threaded parts on the spray gun with petroleum jelly when you put them back together. This will help keep them working properly.

**IMPORTANT:** Do not use any lubricants containing silicone. Silicone can cause problems when used with some paints.

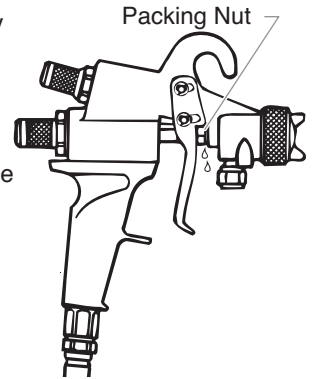
## Maintenance

Perform the following maintenance procedures to keep your HVLP spray gun working properly.

### Adjusting the Packing Nut

If material leaks from around or through the packing nut, readjust the packing nut.

1. Disconnect the air hose from the air inlet and remove the cup assembly.
2. Pull the trigger all the way back and hold.
3. Tighten the packing nut using a 3/8 inch wrench until the needle remains retracted inside the nozzle when you release the trigger.
4. Loosen the packing nut slowly until the needle moves freely back into position in the nozzle.



Once you have adjusted the nut, reconnect the air hose and the cup assembly. Squeeze the trigger to see if the leaking has stopped. If it has not, make sure the packing nut is as tight as possible, while allowing the needle to move freely. If adjusting the packing nut does not stop the leak, replace the packing.

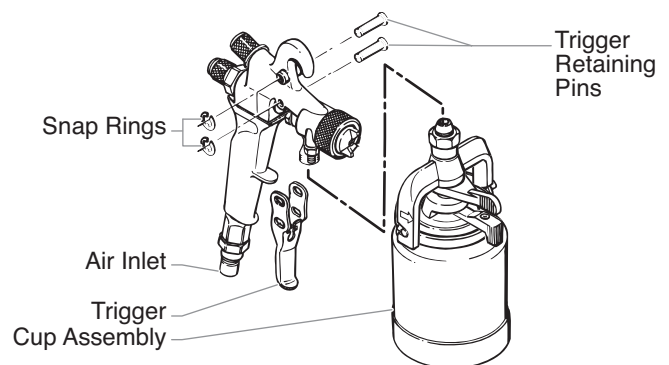
### Replacing the Needle Packing and Air Valve Seals

**NOTE:** Remove the needle packing only when replacing with a new needle packing. Do not remove the needle packing for cleaning.

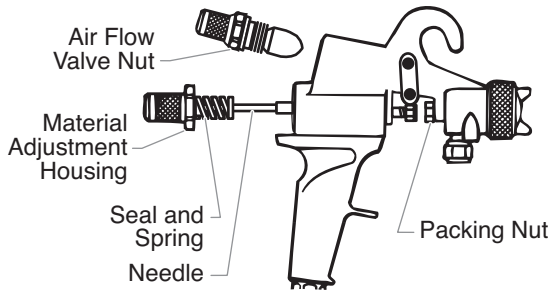
The needle packing and the air valve seals can be replaced separately. If you are replacing only one of them, use the appropriate steps from the following procedures.

#### Removing the Needle and Housing

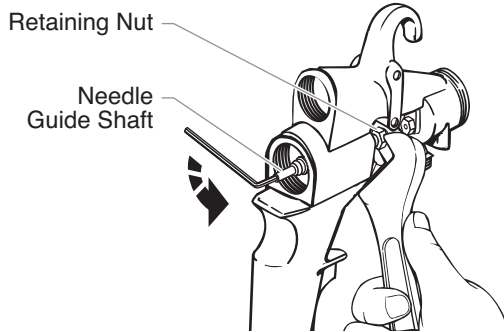
1. Disconnect the air hose from the air inlet.
2. Remove the material hose or cup assembly.
3. Remove the snap rings from the trigger retaining pins and slide the pins out of the gun.
4. Remove the trigger.



5. Loosen the packing nut using a 3/8 inch wrench.
6. Loosen the air flow valve nut and remove the air flow adjustment knob and the air flow valve nut to allow access to the material flow adjustment housing.
7. Loosen and remove the material flow adjustment housing, needle, seal, and spring using a wrench.



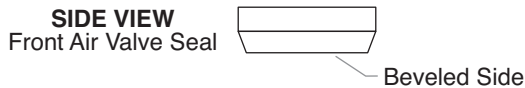
8. Insert an 1/8 inch hex wrench into the back of the needle guide shaft.
9. Hold the retaining nut with a wrench and turn the 1/8 inch hex wrench counterclockwise to remove the retaining nut.
10. Pull the needle guide shaft out of the gun body.



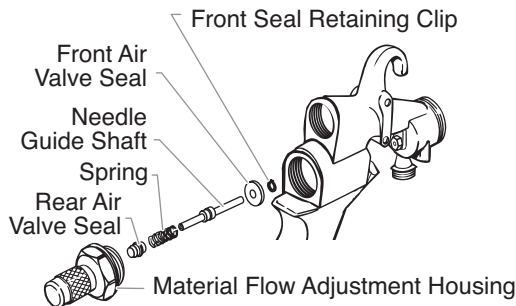
### Replacing the Air Valve Seals

1. Remove the old rear air valve seal. It may stay on the end of the needle guide shaft spring or in the material flow adjustment housing.
2. Slide the new rear seal into the material adjustment housing.
3. Remove the front seal retaining clip using a snap-ring pliers.
4. Slide the old front air valve seal off of the needle guide shaft.
5. Place the new front air valve seal on the needle guide shaft with the beveled side facing the gun.

**NOTE:** Make sure that the new front air valve seal looks like the one that was just removed.



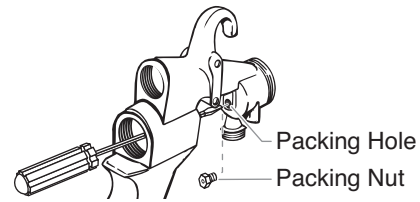
6. Snap the front seal retaining clip onto the needle guide shaft.



### Removing the Packing

1. Remove the packing nut using a 3/8 inch wrench.
2. Insert a long, narrow-bladed flathead screwdriver through the back of the gun and into the packing hole.

3. Press the screwdriver firmly into the packing and turn counterclockwise. This should back the old packing out of the threaded hole. If it does not, push the screwdriver more firmly into the packing and try again. If this still does not remove the packing, use a pick tool to pull the packing out.



**NOTE:** Make sure all of the old packing is removed before installing the new packing.

### Installing the New Packing and Reassembling the Gun

1. Place the new packing into the packing hole.
2. Thread the packing nut one turn into the packing hole. Do not tighten.
3. Push the needle guide shaft through the back of the gun body and thread on the retaining nut.
4. Grasp the material flow adjustment housing with the needle attached. Slide the needle with the spring and the rear air valve seal through the needle guide shaft and into the packing nut. Tighten the material flow adjustment housing securely using a wrench.
5. Tighten the packing nut securely using a 3/8 inch wrench, then loosen the packing nut a quarter turn.
6. Thread the air flow valve nut and air flow adjustment knob into the gun body and tighten into position.
7. Assemble the trigger by inserting the retaining pin or pins and attaching the snap rings.
8. Pull the trigger to make certain the needle moves freely. If the needle sticks, loosen the packing nut. If the packing leaks, tighten the packing nut.

### Replacing the Check Valve, Valve Seal, and Air Tubes

The check valve is a one-way valve designed to allow air into the cup, pressurizing the cup's contents. Because it is a one-way valve, it prevents paint from seeping up the air tube into the air passages of the gun. It also eliminates any delay in material flow when the gun is triggered by maintaining pressure in the cup.

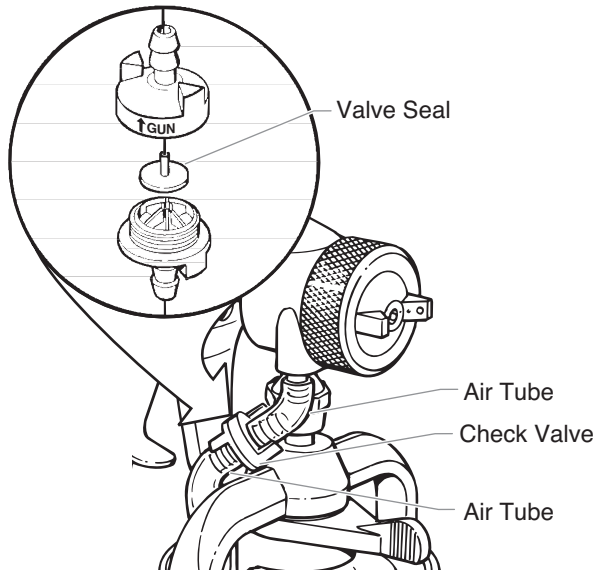
The check valve rotates open easily for cleaning. It contains a valve seal that can be removed and cleaned with soap and water for waterborne materials or a compatible solvent for other materials. To replace the check valve, the valve seal, and/or the air tubes:

1. Pull the lower air tube from the bottom of the check valve.
2. Pull the check valve from the upper air tube.
3. Unscrew the two halves of the check valve.
4. Remove the worn valve seal.
5. Clean the check valve body with a solvent appropriate to the type of material being used.

**NOTE:** Thoroughly clean the inside of the top half of the check valve but do not scratch it.

6. Insert a new valve seal, stem up, into the top of the check valve as shown.
7. Tighten the two halves of the check valve together.
8. Insert the top of the check valve into the upper air tube.

**NOTE:** Insert the check valve into the air tube so that the arrow on the valve points toward the gun.



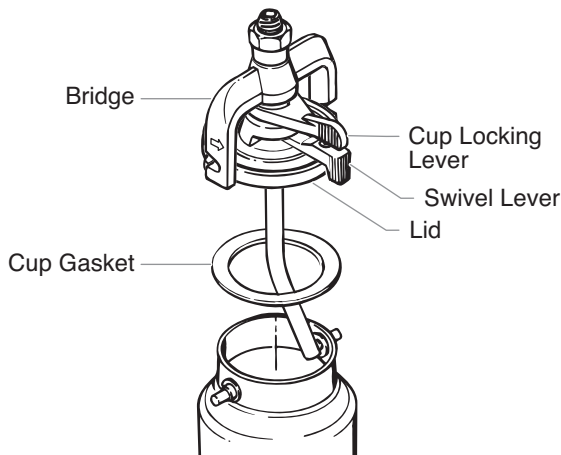
9. If the lower air tube is too long, trim the tube so that it fits the gun.
10. Push the lower air tube onto the bottom of the check valve.

**NOTE:** Make sure to attach the shorter air tube to the gun fitting and the longer air tube to the cup lid air nipple.

### Replacing the Cup Gasket

The cup gasket must be replaced periodically due to normal wear. It is important to inspect the cup gasket during each cleaning.

1. Release the cup locking lever.
2. Hold the cup and twist the spray gun in the direction indicated by the arrows on the bridge.
3. Lift the spray gun away from the cup.
4. Pull the worn cup gasket out of the lid.
5. Press a new cup gasket into the lid.
6. Place the spray gun onto the top of the cup.

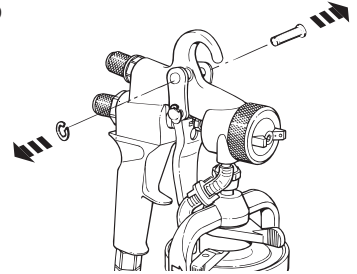


7. Turn the spray gun opposite the direction indicated by the arrows on the bridge until the pegs on the cup are in the notches of the bridge.
8. Tighten the cup locking lever.

### Converting to a Single Pin Trigger

The trigger on your HVLP spray gun can be converted to a single pin setup for a softer pull. Trigger pull is reduced by removing the upper trigger pin and operating the gun with only the lower trigger pin in place. This setup reduces finger fatigue and provides greater control when spraying thin, light viscosity materials such as stains, varnishes, and sealers.

1. Remove the retaining clip on the upper trigger pin by placing the flat edge of a screwdriver between the clip and the pin and gently prying it off.
2. Pull the trigger pin out from the opposite side of the gun.



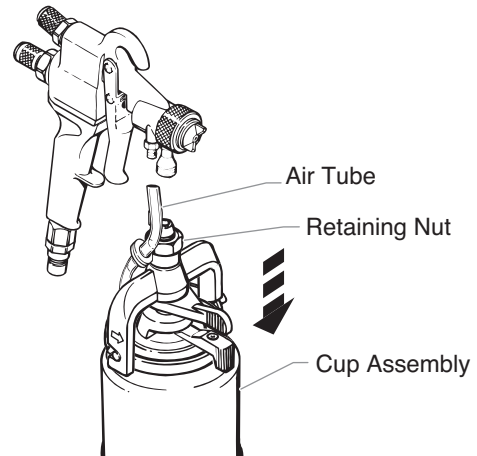
### Using a Pressure Feed System

To increase spray time between material refills, your HVLP spray gun can be connected to a larger material pressure pot and air compressor.

### Converting the Gun to Pressure Feed

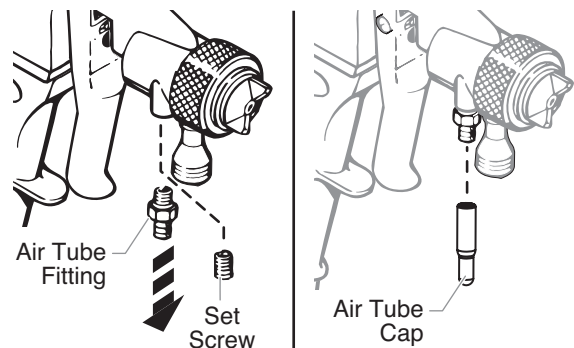
Before using a pressure feed system, the spray gun must be converted to a pressure fed gun.

1. Loosen the retaining nut using a wrench and remove the one quart cup assembly.
2. Pull the air tube off of the air tube fitting on the spray gun.



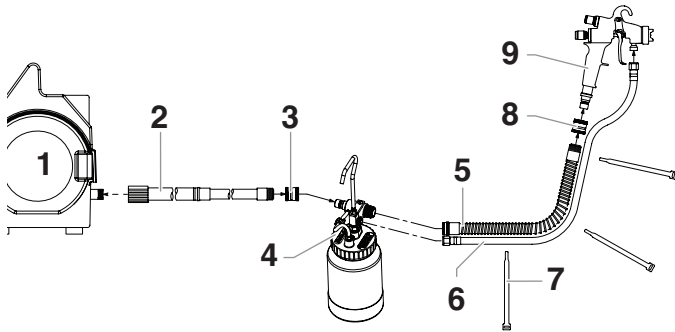
3. Remove the air tube fitting using a wrench.
4. Thread the set screw into the air tube fitting location and tighten into place.

**OPTIONAL (in place of steps 3 and 4):** If desired, a temporary cap (also included) can be used to close off the air tube fitting rather than performing steps 3 and 4 above.



## Connecting to a 2-Quart Remote Pressure Pot

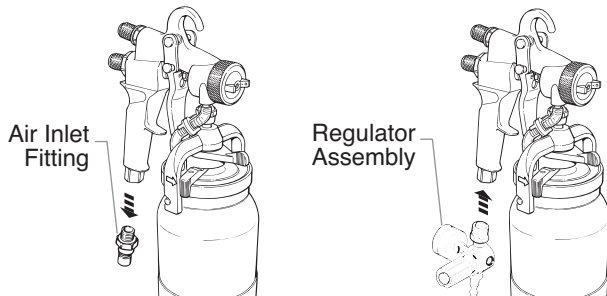
1. Convert the gun to pressure feed.
  2. Connect hoses:
    - a. Make sure turbine is turned OFF and unplugged.
    - b. Attach remote pressure pot to the turbine via the hose configuration shown below.
    - c. Tighten the air hose connections by hand.
    - b. Tighten the fluid hose connections with an adjustable wrench.
- 1) Turbine
  - 2) 7.5m air hose
  - 3) Female quick-disconnect coupling
  - 4) 2-quart pressure tank assembly
  - 5) 1.5m air whip hose
  - 6) 1.5m fluid whip hose
  - 7) Hose straps
  - 8) Female quick-disconnect coupling
  - 9) Spray gun



## Converting the Gun to a Regulator Gun

Your HVLP spray gun can be converted to connect directly to existing high pressure air systems with the addition of a regulator assembly.

1. Remove the air inlet fitting at the bottom of the gun handle using a wrench.
2. Thread the fitting on the regulator assembly into the air inlet at the bottom of the gun handle and tighten.



3. Attach the air hose from the existing high pressure air system to the regulator assembly.
4. Set the pressure gauge on the regulator assembly to the appropriate setting for the coating being sprayed.

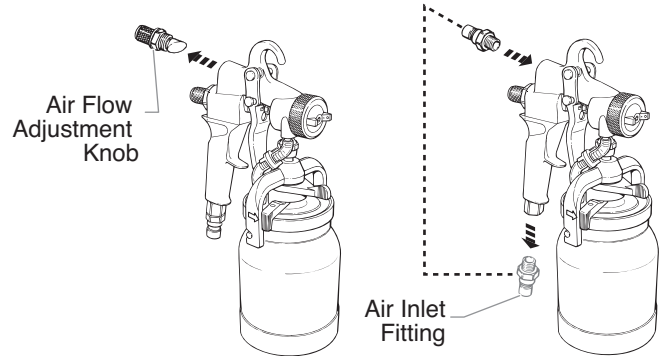
**NOTE:** Standard air caps require an air flow of 15 – 25 SCFM. Low air flow air caps are available for the regulator gun to use with smaller air compressors. See “Optional Accessories” for the part numbers.

## Converting the gun from Non-Bleeder to Bleeder

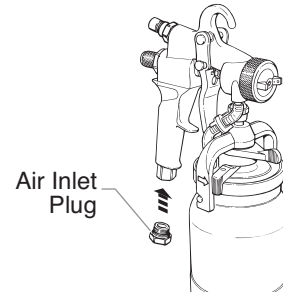
Your HVLP spray gun can be converted from a non-bleeder to a bleeder setup. Bleeder setup provides more atomizing power for higher viscosity materials, such as latex and enamels. Bleeder setup can make it easier to spray in confined spaces, such as inside cabinets, because the air hose is moved to the back of the gun.

### To convert a spray gun to bleeder setup:

1. Remove the air flow adjustment knob from the rear of the gun using a wrench.
2. Remove the air inlet fitting from the bottom of the gun handle using a wrench.
3. Thread the air inlet fitting into the air flow adjustment knob location at the rear of the gun. Secure the fitting in place.



4. Thread the air inlet plug (shipped loose with the gun literature pack) into the air inlet at the bottom of the gun handle. Secure the plug in place.



5. Attach the air hose to the relocated air inlet fitting.

**NOTE:** In bleeder setup, the removal of the air flow adjustment knob causes the air supply to be on at all times when the air hose is attached to the gun.

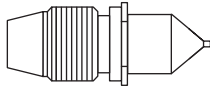


## Choosing a Projector Set

Your HVLV spray gun should be fitted with the proper projector set for the type of work you will be performing. A projector set consists of a needle assembly, a fluid nozzle, and an air cap.



Needle Assembly



Fluid Nozzle



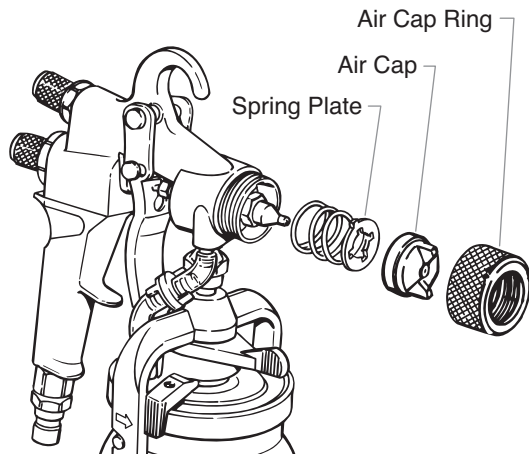
Air Cap

You should choose a projector set based on two things: the type of material to be sprayed and the finish desired.

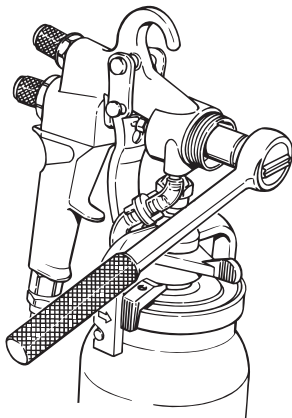
The chart on the following page should help you to make the right choice.

## Changing a Projector Set

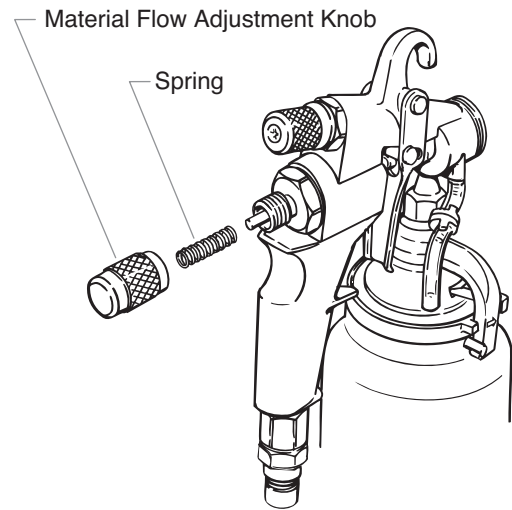
1. Remove the air cap ring, air cap, and spring plate.



2. Remove the fluid nozzle.

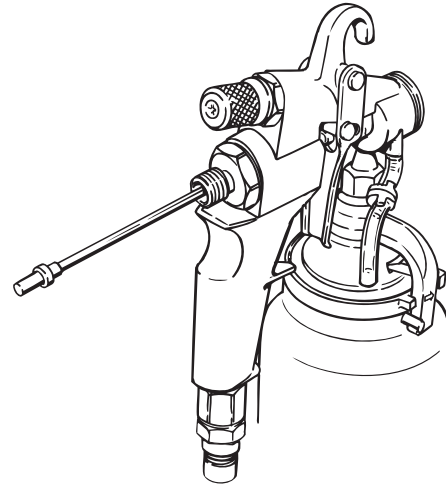


3. Remove the material flow adjustment knob and spring.



4. Remove the needle.

**IMPORTANT:** If the needle does not slide out easily, loosen the packing nut to prevent the needle or packing from being damaged.



5. Install the new projector set in reverse order.

## Optional Accessories

Part Number	Description
0276254	Projector set, #2 complete
0276227	Projector set, #3 complete
0276228	Projector set, #4 complete
0276229	Projector set, #5 complete
0276245	Projector set, #6 complete
0524211	Projector set, #7 complete
0277090	Projector set, low air flow, #2A complete
0277091	Projector set, low air flow, #3A complete
0277092	Projector set, low air flow, #4A complete
0277093	Projector set, low air flow, #5A complete
0277094	Projector set, low air flow, #6A complete
0276449	Air cap, #2
0276452	Air cap, #3
0276455	Air cap, #4
0276458	Air cap, #5
0276417	Air cap, #6
0524401	Air cap, #7
0295641	Air cap, low air flow, #2A
0295642	Air cap, low air flow, #3A
0295643	Air cap, low air flow, #4A
0295644	Air cap, low air flow, #5A
0295645	Air cap, low air flow, #6A
0276446	Nozzle, #2
0276451	Nozzle, #3
0276454	Nozzle, #4
0276457	Nozzle, #5
0276418	Nozzle, #6
0524363	Nozzle, #7
0276447	Needle assembly, #2
0276453	Needle assembly, #3
0276456	Needle assembly, #4
0276459	Needle assembly, #5
0276244	Needle assembly, #6
0524210	Needle assembly, #7
0508124	Cover, clip-on, 1 quart
0279942	Tip accessory kit
0279941	Deluxe tip accessory kit

**NOTE:** The “low air flow” projector sets and air caps are suitable for low CFM compressors.

## Repair Kits

Part Number	Description
0297051	Check valve repair kit (Includes 3 assemblies)
0276257	Check valve membrane kit (includes 10 membranes)
0297052	Gasket, cup, white (includes 6 gaskets)
0276258	Gasket, cup, Thiokol - black (includes 6 gaskets)
0277943	HVLP gun repair kit
<b>Includes:</b>	
• front air valve seal	
• rear air valve seal	
• needle packing	
• air control valve o-ring (2)	
• check valve assembly	
• check valve tube, short	
• check valve tube, long	
• cup gasket	

## Material Reduction/Projector Set Chart

Before spraying, the material being used must be thinned with an appropriate solvent and the proper projector set must be installed. It is always best to follow the material manufacturers recommendations and thinning procedures.

There are two simple methods of measuring the proper thickness of a material:

1. Dip a paint stick into the material and remove it, watching carefully as the material runs off. When the material begins to form drops, the drops should fall about 1 second apart.
2. Use a viscosity cup (P/N 0153165). Dip the cup into the material and remove it. Use a watch or clock to time how long the material drains from the cup in a continuous stream. Once the continuous stream breaks, stop timing and refer to the table below. Add the appropriate solvent and continue testing until the proper thickness is reached for the type of material you are using.

Material	% of reduction	Time	Solvent	Projector Set
Latex .....	20-25% .....	30-35 sec. ....	Water .....	5
Oil .....	10-20% .....	20-30 sec. ....	Mineral Spirits.....	4
Epoxy .....	1-10% .....	30-35 sec. ....	Mfg. Recommendations.....	5
Clear wood finish.....	Full strength .....	.....	Mfg. Recommendations.....	4
Varnish .....	Mfg. Recommendations .....	.....	Naphtha .....	3
Polyurethane .....	10% .....	18-22 sec. ....	M.E.K.....	3
Sealer .....	Full strength .....	.....	Mineral spirits .....	3
Oil-based primer.....	15-20% .....	30-35 .....	Mineral spirits .....	4
Fast-dry enamel .....	25% .....	20-25 .....	Mineral spirits .....	4
Stain .....	Full strength .....	.....	Mfg. Recommendations.....	3
Metal primer .....	15% .....	25-30 sec. ....	Mineral spirits .....	4
Industrial enamel.....	15% .....	30-35 sec. ....	Mineral spirits .....	4
Aluminum paint .....	Full strength .....	.....	Mineral spirits .....	4
Lacquer sealer .....	Mfg. Recommendations .....	18-22 sec. ....	Lacquer thinner.....	3
Lacquer .....	50% .....	18-22 sec. ....	Lacquer thinner.....	3

# Troubleshooting

## Problem

## Cause

## Solution

A. Little or no paint flow	<ol style="list-style-type: none"> <li>1. Dried paint blocking fluid nozzle</li> <li>2. No air pressure in paint cup or pot</li> <li>3. Check valve in air tube plugged</li> <li>4. No fluid pressure</li> <li>5. Blockage in material hose</li> </ol>	<ol style="list-style-type: none"> <li>1. Disassemble and clean</li> <li>2. Inspect air tube, cup or pot gasket, clean or replace.</li> <li>3. Clean or replace the check valve assembly</li> <li>4. Check material supply</li> <li>5. Clean by flushing with solvent</li> </ol>
B. Paint leaking	<ol style="list-style-type: none"> <li>1. Improper size needle or nozzle</li> <li>2. Damaged needle or nozzle</li> <li>3. Loose nozzle</li> <li>4. Loose packing nut</li> <li>5. Needle not closing properly</li> </ol>	<ol style="list-style-type: none"> <li>1. Replace</li> <li>2. Replace</li> <li>3. Tighten</li> <li>4. Tighten</li> <li>5. a) Loosen packing nut b) Replace needle spring c) Remove dried paint from needle</li> </ol>
C. Paint is backing up past the check valve	<ol style="list-style-type: none"> <li>1. Gun is being tilted too much when it is not spraying</li> <li>2. Check valve leaks</li> </ol>	<ol style="list-style-type: none"> <li>1. Tilt the gun only when spraying</li> <li>2. Clean or replace the check valve</li> </ol>
D. Poor spray pattern	<ol style="list-style-type: none"> <li>1. Air holes in air cap ears are clogged</li> <li>2. Nozzle is clogged</li> <li>3. Damaged nozzle or needle</li> </ol>	<ol style="list-style-type: none"> <li>1. Remove and clean air holes</li> <li>2. Clean with appropriate solvent</li> <li>3. Remove and replace</li> </ol>
E. Pulsating spray	<ol style="list-style-type: none"> <li>1. Loose or damaged packing</li> </ol>	<ol style="list-style-type: none"> <li>1. Tighten or replace</li> </ol>
F. Pattern is heavy in the middle	<ol style="list-style-type: none"> <li>1. Too much fluid pressure</li> </ol>	<ol style="list-style-type: none"> <li>1. Reduce pressure</li> </ol>
G. Gun spitting paint	<ol style="list-style-type: none"> <li>1. Valve in air tube is not operating properly</li> <li>2. Material too thick</li> <li>3. Projector set is too small.</li> </ol>	<ol style="list-style-type: none"> <li>1. Replace valve assembly</li> <li>2. Thin material</li> <li>3. Install the proper projector set.</li> </ol>
H. Paint build up on the air cap	<ol style="list-style-type: none"> <li>1. Improper adjustment of cap</li> </ol>	<ol style="list-style-type: none"> <li>1. Adjust the air cap properly so that paint flows freely through the cap</li> </ol>
I. Too much overspray	<ol style="list-style-type: none"> <li>1. Air pressure too high</li> <li>2. Material too thin</li> <li>3. Spray gun too far from surface</li> </ol>	<ol style="list-style-type: none"> <li>1. Reduce air pressure</li> <li>2. Add unthinned paint</li> <li>3. Move closer</li> </ol>



# Consignes de sécurité important · Lire toutes ces consignes avant d'utiliser l'appareil. GARDER CES CONSIGNES.



Indique une situation à risque, laquelle, si elle n'est pas évitée, peut entraîner des blessures graves, voire la mort.



Pour réduire les risques d'incendie ou d'explosion, de choc électrique et de blessure, vous devez lire et comprendre les directives figurant dans ce manuel. Familiarisez-vous avec les commandes et l'utilisation adéquate de l'équipement.

## DANGER: RISQUES D'EXPLOSION PAR INCOMPATIBILITÉ DES MATÉRIAUX

Peuvent être à l'origine de corporels sérieux ou dommages matériels.

### PRÉVENTION :

- Ne pas utiliser de matériaux contenant des agents de blanchiment ou du chlore.
- Ne pas utiliser des solvants à base d'hydrocarbure halogéné tels que l'agent anticryptogamique, le chlorure de méthylène et le trichloro-éthane-1,1,1. Ces produits ne sont pas compatibles avec l'aluminium.
- Communiquer avec votre fournisseur de revêtement pour connaître la compatibilité du matériau avec l'aluminium.

## DANGER: GÉNÉRAUX

Risques de dommages matériels et de blessures graves.

### PRÉVENTION :

- Lire toutes les directives et mises en garde avant de faire fonctionner l'équipement, quel qu'il soit.
- Se conformer à la législation locale, provinciale ou fédérale pour tout ce qui concerne la ventilation, la prévention des incendies et les conditions générales d'utilisation.
- Les normes de sécurité adoptées par le gouvernement américain l'ont été en vertu de sa Occupational Safety and Health Act (OSHA); ces normes, particulièrement les parties 1910 des normes générales et 1926 des normes de construction, devraient toujours être consultées.
- N'utiliser que les pièces autorisées par le fabricant. L'utilisateur assume tous les risques et responsabilités lorsqu'il utilise des pièces qui ne sont pas conformes aux caractéristiques techniques minimales ainsi qu'aux dispositifs de sécurité du fabricant.
- Vérifier, avant toute utilisation, que les flexibles ne présentent pas d'entaille ou de fuite, que le couvercle ne soit pas gonflé et que les raccords ne soient pas endommagés. Si le flexible a subi l'un des dommages précités, remplacez-le immédiatement. Ne jamais réparer un flexible d'alimentation. Le remplacer avec un flexible identique de remplacement.
- Ne jamais pulvériser lorsqu'il vente.
- Porter des vêtements pour protéger la peau et les cheveux contre tout contact avec la peinture.
- On ne doit jamais orienter le pistolet vers une partie du corps.

## DANGER: VAPEURS NOCIVES

La peinture, les solvants, les insecticides et autres matériaux peuvent être nocifs lorsqu'ils sont inhalés ou en contact avec le corps. Les vapeurs peuvent causer une nausée importante, des évanouissements ou un empoisonnement.

### PRÉVENTION :

- Utiliser un respirateur ou un masque chaque fois qu'il y a des risques d'inhalation de vapeurs. Lire attentivement toutes les instructions se rapportant au masque pour vérifier que celui-ci vous assure une protection suffisante contre les vapeurs toxiques.
- Porter des lunettes de protection.
- Porter des vêtements de protection, conformément aux directives du fabricant de revêtement.

## DANGER: DANGER DE BRÛLURE

Les pièces chauffées peuvent causer de graves brûlures cutanées.

### PRÉVENTION :

- Le plastique peut être une source d'étincelles provoquées par l'électricité statique. Ne jamais utiliser une couverture en plastique pour fermer une zone d'épandage ni utiliser des toiles de protection en plastique lors de la pulvérisation de matières inflammables.

## DANGER: RISQUES D'EXPLOSION OU D'INCENDIE

Les vapeurs dégagées par le solvant ou la peinture sont explosives et inflammables et peuvent causer des corporels sérieux ou dommages matériels.



### PRÉVENTION :

- Veiller à éviter toute accumulation de vapeurs inflammables en vous assurant que la zone où la pulvérisation a lieu est suffisamment ventilée.
- Veiller à éviter la présence de toute source incandescente telle qu'étincelle électrostatique, flamme nue, flamme-pilote, objet brûlant, cigarette et étincelle provenant du branchement ou du débranchement d'un cordon d'alimentation électrique ou d'un commutateur.
- Ne pas fumer dans la zone d'épandage.
- Toujours avoir un extincteur en état de fonctionner à portée de la main.
- Le cordon d'alimentation doit être raccordé à un circuit mis à la terre.
- S'assurer de suivre les directives en matière de sécurité et de lire les mises en garde du fabricant des solvants et des produits utilisés.
- S'entourer de toutes les précautions possibles lorsqu'on utilise des produits ayant un point d'éclair inférieur à 21 °C (70 °F). Le point d'éclair d'un fluide est la température à laquelle les vapeurs émanant du fluide peuvent s'enflammer au contact d'une flamme ou d'une étincelle.
- Le plastique peut être une source d'étincelles provoquées par l'électricité statique. Ne jamais utiliser une couverture en plastique pour fermer une zone d'épandage ni utiliser des toiles de protection en plastique lors de la pulvérisation de matières inflammables.



## Table des matières

Sécurité .....	12
Entretien et réparations .....	13
Introduction.....	13
Utilisation d'un pistolet de vaporisation HVLP.....	13-15
Préparation à la vaporisation.....	13
Sélection d'une forme de pulvérisation .....	13
Aire de pulvérisation .....	14
Réglage du débit d'air et de produit .....	14
Pulvérisation.....	14
Réglage du tube orientable .....	14
Nettoyage du pistolet .....	15
Maintenance.....	15-17
Réglage de l'écrou presse-garniture .....	15
Remplacement de la garniture de pointe et des joints de soupape de régulation d'air .....	15
Remplacement du clapet anti-retour, du joint de clapet et des tubes d'air .....	16
Remplacement du joint d'étanchéité du godet .....	17
Modification pour détente avec une seule goupille .....	17
Utilisation d'un système d'alimentation sous pression .....	17-18
Modification du pistolet pour alimentation sous pression .....	17
Raccordement récipient système sous pression du deux pintes .....	18
Modification pistolet en pistolet à régulateur.....	18
Modification du pistolet non-purgeur en pistolet purgeur .....	18
Choix d'un projecteur .....	19
Échange du projecteur .....	19
Accessoires optionnels .....	19
Réduction du produit/tableau des projecteurs.....	20
diagnostic des anomalies.....	21
Liste des pièces du pistolet à godet et turbine .....	32-33
Liste de pièces du pistolet à turbine, à alimentation sous pression .....	34-35
Liste de pièces du pistolet à godet et régulateur.....	36-37
Liste de pièces pistolet à compresseur à alimentation sous pression.....	38-39
Garantie limitée.....	40

## Entretien et réparations

Si le pistolet requiert de l'entretien ou des réparations pendant la période de la garantie, on doit le retourner, accompagné d'une preuve d'achat, au distributeur chez qui on l'a acheté. Il sera alors, selon le choix du fabricant, réparé ou remplacé. Dans le cadre de son engagement perpétuel envers l'amélioration de la qualité, Wagner se réserve le droit de modifier les composants ou la conception de ses produits si elle le juge nécessaire.

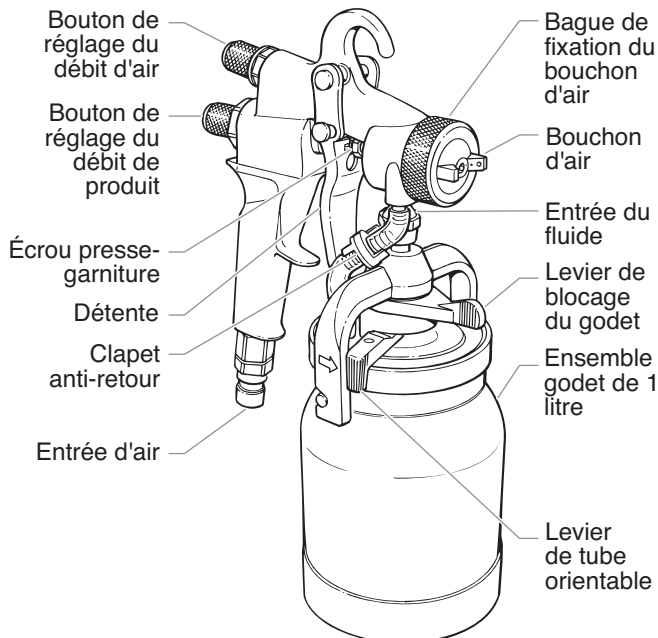
## Introduction

Ces pistolets de vaporisation sont conçus pour une utilisation dans les systèmes de peinture "High Volume/Low Pressure" (HVLP) (grand volume/basse pression).

Avec un système HVLP, il est possible d'obtenir une finition de très haute qualité professionnelle avec peu de préparation et de temps de réglage. Les systèmes HVLP ne sont pas destinés à remplacer les systèmes sans air. Au contraire ils sont conçus pour compléter les systèmes sans air en améliorant la finition sur les substrats, en minimisant les pertes et en réduisant le temps de travail. En plus d'améliorer la rentabilité, les systèmes HVLP sont compatibles avec les exigences de rendement de transfert les plus sévères.

Les pistolets de vaporisation HVLP décrits dans ce manuel comprennent le pistolet à godet et turbine, le pistolet à régulateur et turbine, le pistolet à turbine à alimentation supérieure, le pistolet à godet et régulateur et le pistolet à régulateur à alimentation supérieure. SVP, consultez toutes les informations contenues dans ce manuel avant d'utiliser un système HVLP.

**NOTA: Le fonctionnement général et la maintenance de chaque type de pistolet de vaporisation HVLP sont les mêmes. Pour les besoins des illustrations, seul le pistolet à godet et turbine est représenté. Cependant, toutes les informations spécifiques à un type particulier de pistolet sont données où cela est nécessaire. Les listes de pièces pour chaque type de pistolet sont incluses à la fin de ce manuel.**



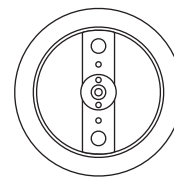
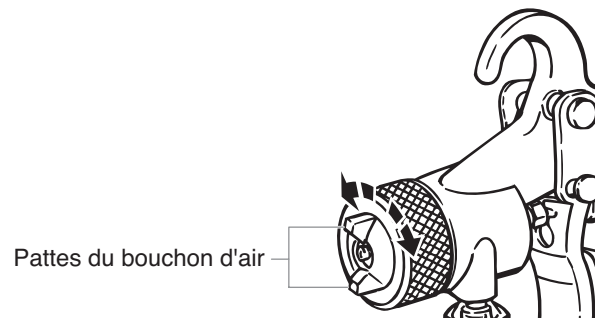
## Utilisation d'un pistolet de vaporisation HVLP

### Préparation à la vaporisation

1. Libérer le levier de blocage du godet et démonter le godet.
2. S'assurer que le godet et le joint d'étanchéité du godet soit propre et à la bonne position. Remplir le godet avec le produit de peinture désiré.
3. Placer le godet sur le pistolet et serrer le levier de blocage du godet.
4. Fixer le boyau d'alimentation en air sur le raccord d'entrée d'air à la partie inférieure de la poignée de pistolet.
5. Activer l'alimentation d'air.

### Sélection d'une forme de pulvérisation

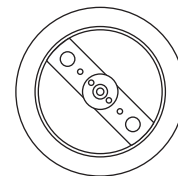
On peut modifier la forme de pulvérisation en faisant tourner le bouchon d'air en position verticale, horizontale ou diagonale. Pour ce faire, saisir les deux pattes avant et tourner. Il ne faut jamais appuyer sur la détente du pistolet lors de ce réglage.



Position verticale



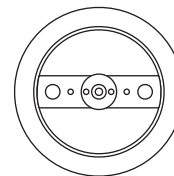
Forme horizontale



Position diagonale



Forme circulaire



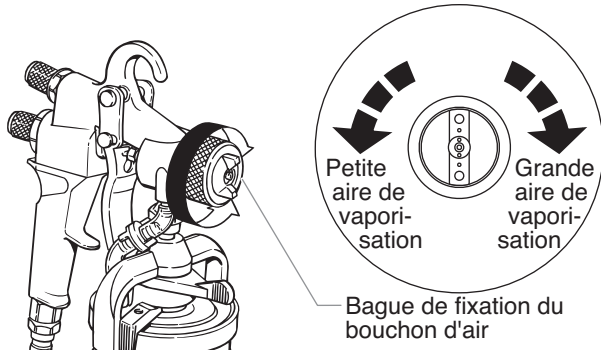
Position horizontale



Forme verticale

## Aire de pulvérisation

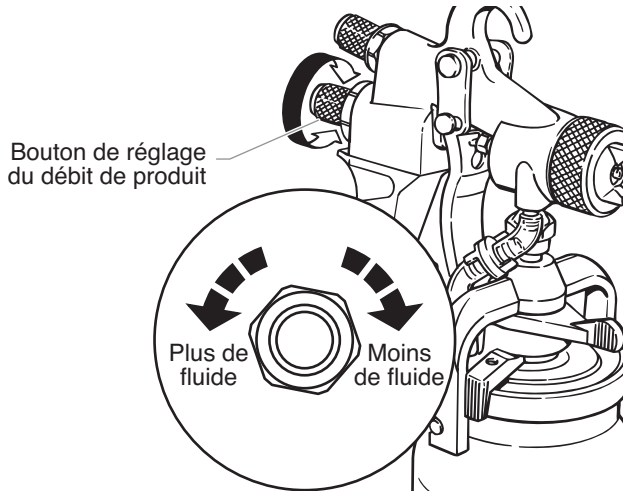
On peut changer l'aire de pulvérisation sans en modifier la forme, en faisant tourner la bague de fixation du bouchon d'air.



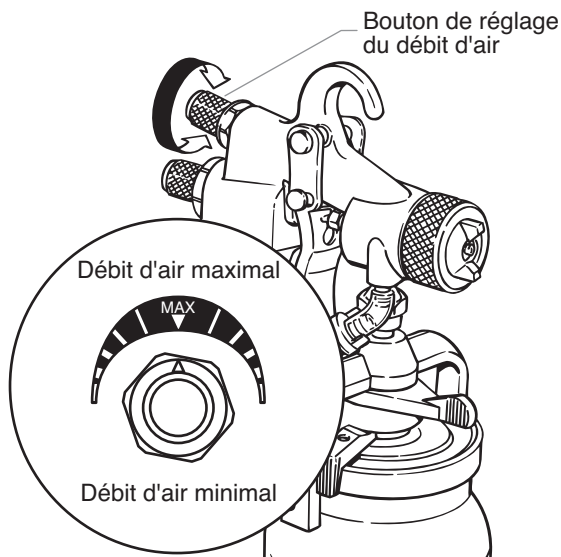
En tournant la bague vers la droite, on agrandit l'aire; en la tournant vers la gauche, on la réduit. À mesure que l'aire rapetisse, on doit s'approcher de la surface à pulvériser.

## Réglage du débit d'air et de produit

Chaque projet peut requérir un léger réglage du débit d'air ou de produit. Pour ce qui est de ce dernier, le débit diminue lorsqu'on tourne le bouton de réglage vers la droite et augmente lorsqu'on le tourne vers la gauche.

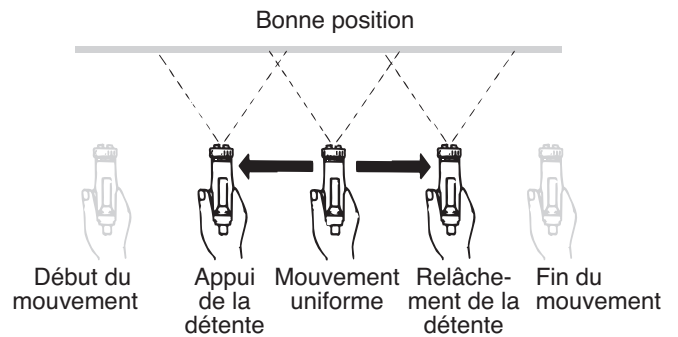


L'autre bouton sert à augmenter ou à réduire le débit d'air. Si l'encoche est en position verticale, le débit est maximal. Rappel : il faut toujours effectuer des essais sur des retailles de bois ou de carton avant de procéder à la pulvérisation.

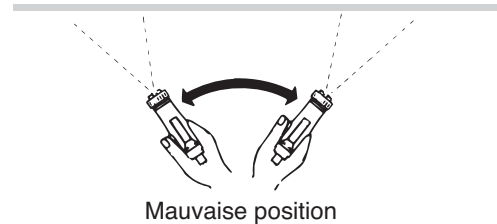


## Pulvérisation

Tenir le pistolet à une distance de 2,5 cm (1 po) à 20,3 cm (8 po) de la surface à pulvériser, selon l'aire de pulvérisation choisie; plus le pistolet est près de la surface, moins l'aire est grande. Le pistolet doit être tenu à angle droit par rapport à la surface à pulvériser de manière à assurer une application uniforme du produit. Si le pistolet se déplace à vitesse continue et constante, le produit risque moins de former des gouttes ou des coulures.



Il faut toujours appuyer sur la détente après avoir commencé son mouvement et la relâcher avant que celui-ci ne se termine. Pour obtenir de meilleurs résultats, les mouvements de pulvérisation devraient être longs d'environ 50 cm (20 po) en se chevauchant les uns les autres de 10 ou 12 cm (4 ou 5 po). Rappel : le pistolet doit être perpendiculaire à la surface à pulvériser.

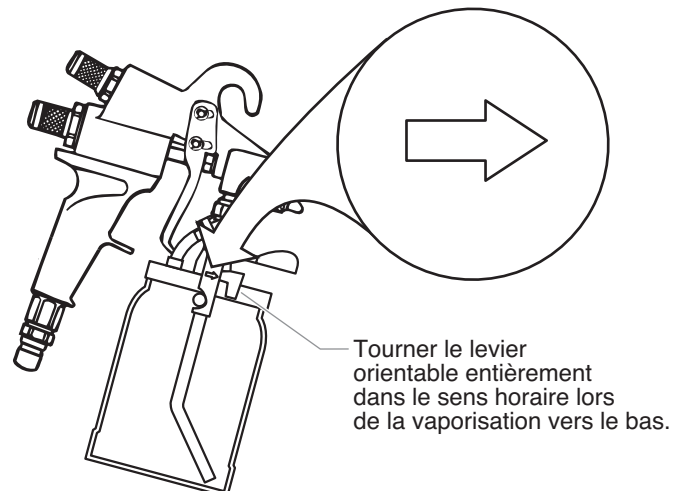


## Réglage du tube orientable

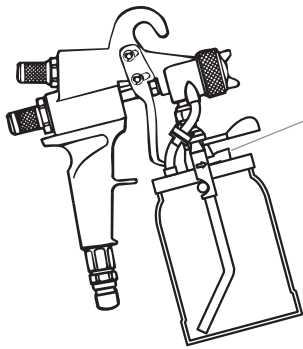
Le tube orientable du pistolet permet d'éviter le plus de gaspillage de produit possible, quel que soit l'angle de pulvérisation.

Si le pistolet est orienté vers le bas, il faut pousser le levier d'orientation à l'extrême droite.

**NOTA : De chaque côté de la couronne, une flèche indique la direction dans laquelle le tube orientable pointe lorsque le levier du tube orientable est dans la position extrême de rotation en sens horaire ou extrême de rotation dans le sens anti-horaire.**

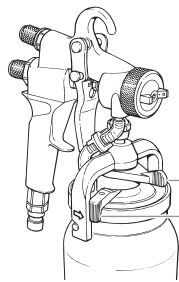


Si le pistolet est orienté vers le haut, il faut pousser le levier d'orientation à l'extrême gauche.



Tourner le levier orientable entièrement dans le sens anti-horaire lors de la vaporisation vers le haut. La flèche sur le côté anti-horaire de la couronne correspond à la position du levier d'orientation.

**NOTA :** Le levier orientable est placé directement sous le levier de blocage du godet. Celui-ci assure la fixation du godet avec le pistolet.



Levier de blocage du godet  
Levier d'orientation

## Nettoyage du pistolet

Il est important de nettoyer entièrement le pistolet après chaque utilisation.

1. Vider le godet du produit résiduel.
2. Verser une petite quantité de solvant approprié dans le godet et fixer celui-ci au pistolet.
3. Remuer et vaporiser dans un endroit bien ventilé.

**NOTA :** Ne pas obturer la buse lors du nettoyage. Un refoulement dans le système n'est pas nécessaire.

4. Répéter les opérations ci-dessus jusqu'à ce que le solvant reste clair.
5. Nettoyer l'extérieur/intérieur du godet et du pistolet avec un solvant approprié jusqu'à ce qu'ils soient propres.
6. Démontez le pointeau, la buse à fluide et le bouchon d'air et les nettoyer entièrement. S'assurer que les trous de passage de l'air et les passages de produit soient bien propres. Ne jamais utiliser de pointes ou d'outils métalliques pour nettoyer le bouchon d'air et la buse.

**IMPORTANT :** Toute tentative de démontage du raccord d'entrée de fluide entraîne des dommages au corps du pistolet et annule la garantie.

**NOTA :** Démontez la garniture de pointeau uniquement lors de son remplacement. Ne pas démonter la garniture de pointeau pour la nettoyer.

7. Démontez, nettoyez et séchez le clapet anti-retour et les tubes d'air après chaque utilisation.

**IMPORTANT :** NE PAS nettoyer les tubes d'air avec un solvant chaud tel qu'un diluant à peinture-laque. Les solvants chauds endommagent les tubes d'air.

**NOTA :** Lors du remontage, lubrifier toutes les parties filetées du pistolet avec du pétrolatum. Cette lubrification facilite leur bon fonctionnement.

**IMPORTANT :** Ne pas utiliser de lubrifiants à base de silicone; cette substance peut engendrer des problèmes si elle est combinée à certaines peintures.

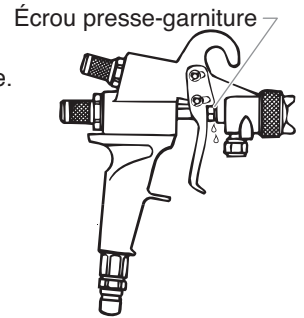
## Maintenance

Suivre les procédures de maintenance suivantes de manière à faciliter le bon fonctionnement du pistolet HVLP.

### Réglage de l'écrou presse-garniture

S'il y a une fuite de produit autour de l'écrou presse-garniture, régler de nouveau celui-ci.

1. Déconnecter le boyau d'air de l'entrée d'air et démonter l'ensemble godet.
2. Tirer la détente complètement vers l'arrière et la maintenir dans cette position.
3. Serrer l'écrou presse-garniture au moyen d'une clé de 3/8 de pouce jusqu'à ce que le pointeau demeure rétracté à l'intérieur de la buse lorsque la détente est relâchée.
4. Desserrer légèrement l'écrou jusqu'à ce que le pointeau recule librement vers sa position à l'intérieur de la buse.



Après avoir réglé l'écrou, connecter de nouveau le boyau et remonter l'ensemble godet. Serrer la détente pour vérifier s'il y a encore une fuite. S'il y a encore une fuite, s'assurer que l'écrou presse-garniture soit aussi serré que possible, tout en permettant au pointeau de se déplacer librement. Si le réglage de l'écrou presse-garniture ne permet pas d'arrêter la fuite, changer la garniture.

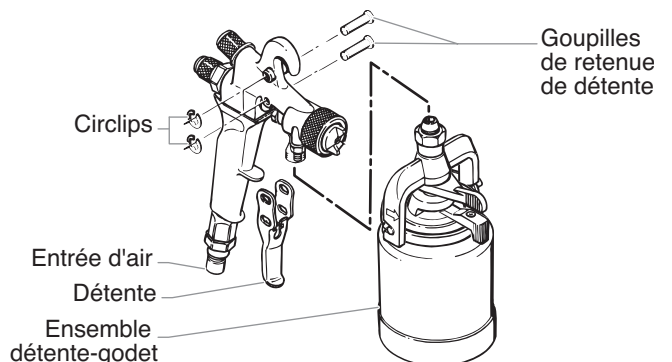
### Remplacement de la garniture de pointeau et des joints de soupape de régulation d'air

**NOTA :** Démontez la garniture de pointeau uniquement lors de son remplacement. Ne pas démonter la garniture de pointeau pour la nettoyer.

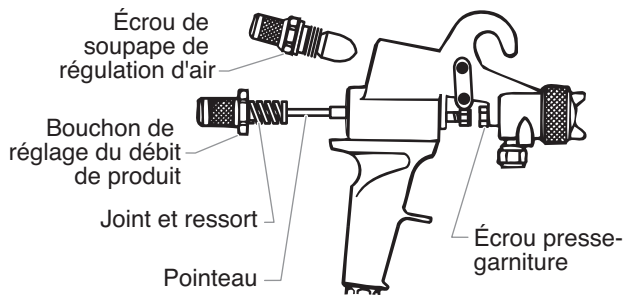
La garniture de pointeau et les joints de soupape de régulation d'air peuvent être remplacés séparément. En cas de remplacement d'un seul de ces éléments, effectuer les opérations selon la procédure suivante.

#### Démontage du pointeau et du bouchon

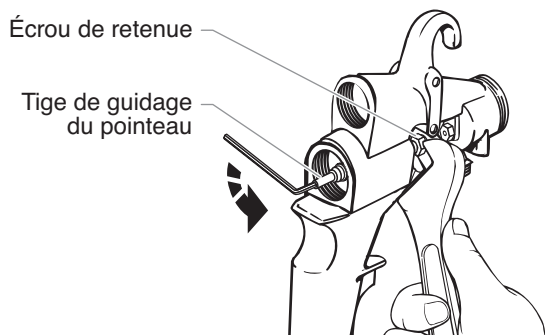
1. Déconnecter le boyau d'air de l'entrée d'air.
2. Démontez le boyau de produit ou l'ensemble godet.
3. Démontez les circlips des goupilles de retenue de la détente et faire glisser ces goupilles hors du pistolet.
4. Démontez la détente.



5. Desserrer l'écrou presse-garniture au moyen d'une clé de 3/8 de pouce.
6. Desserrer l'écrou de la soupape de régulation d'air et retirer le bouton de réglage du débit d'air et l'écrou de la soupape de régulation d'air pour permettre l'accès au bouchon de réglage du débit de produit.
7. Desserrer et démonter le bouchon de réglage du débit de produit, le pointeau, le joint et le ressort au moyen d'une clé.



8. Insérer une clé six-pans de 1/8 de pouce à l'arrière de la tige de guidage du pointeau.
9. Maintenir l'écrou de retenue au moyen d'une clé et tourner la clé six-pans de 1/8 de pouce dans le sens anti-horaire pour démonter l'écrou de retenue.
10. Retirer la tige de guidage du pointeau hors du corps de pistolet.



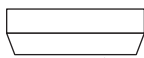
#### Remplacement des joints de soupape de régulation d'air

1. Retirer le joint arrière de soupape de régulation d'air usé. Il pourrait rester sur l'extrémité de la tige de guidage du pointeau ou dans le bouchon de réglage de débit de produit.
2. Insérer un nouveau joint dans le bouchon de réglage de débit de produit.
3. Retirer le circlips de joint avant au moyen d'une clé à circlips.
4. Faire glisser le joint avant usé en dehors de la tige de guidage de pointeau.
5. Placer un nouveau joint avant sur la tige de guidage de pointeau avec la face conique faisant face au pistolet.

**NOTA : S'assurer que le nouveau joint avant soit bien similaire à celui qui vient d'être démonté.**

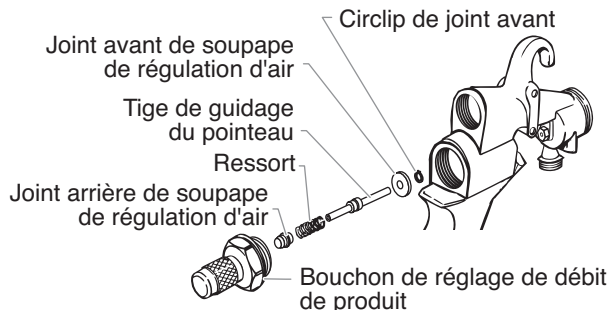
#### VUE LATÉRALE

Joint avant de soupape de régulation d'air



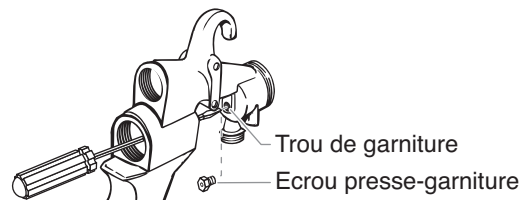
Face conique

6. Monter le circlips de joint avant sur la tige de guidage du pointeau.



#### Démontage de la garniture

1. Démontez l'écrou presse-garniture au moyen d'une clé de 3/8 de pouce.
2. Insérer un long tournevis à tête étroite et plate par l'arrière du pistolet, dans le trou de la garniture.
3. Appuyer fermement sur le tournevis et tourner dans le sens anti-horaire. Ce mouvement doit faire sortir la garniture du trou fileté. Si ce n'est pas le cas, pousser le tournevis encore plus fermement dans la garniture et essayer de nouveau. Si la garniture ne sort toujours pas, utiliser un outil pointu pour retirer la garniture.



**NOTA : S'assurer que la garniture usée soit retirée avant de monter une nouvelle garniture.**

#### Montage d'une nouvelle garniture et remontage du pistolet

1. Placer une nouvelle garniture dans le trou de garniture.
2. Faire tourner la garniture d'un tour à l'intérieur du trou. Ne pas serrer.
3. Pousser la tige de guidage de pointeau à travers l'arrière du corps de pistolet et visser l'écrou de retenue.
4. Saisir le bouchon de réglage de débit de produit avec le pointeau attaché à ce bouchon. Faire glisser le pointeau avec le ressort et le joint arrière de soupape de régulation d'air à travers la tige de guidage du pointeau et dans l'écrou presse-garniture. Serrer fermement le bouchon de réglage de débit de produit au moyen d'une clé.
5. Serrer fermement l'écrou presse-garniture au moyen d'une clé de 3/8 de pouce puis desserrer l'écrou presse-garniture d'un quart de tour.
6. Visser l'écrou de soupape de régulation d'air et le bouton de réglage de débit d'air sur le corps de pistolet et les serrer en position.
7. Monter la détente en insérant la ou les goupille(s) de retenue et en montant les circlips.
8. Appuyer sur la détente pour s'assurer que le pointeau se déplace librement. Si le pointeau coince, desserrer l'écrou presse-garniture. Si la garniture fuit, serrer l'écrou presse-garniture.

#### Remplacement du clapet anti-retour, du joint de clapet et des tubes d'air

Le clapet anti-retour est un clapet unidirectionnel conçu pour admettre l'air dans le godet et mettre le contenu de celui-ci sous pression. Comme c'est un clapet unidirectionnel, il empêche la peinture de s'infiltrer dans le tube d'air et de pénétrer dans les passages d'air du pistolet. En maintenant la pression dans le godet, il élimine également tout retard de débit de produit lorsque le pistolet est activé.

Le clapet s'ouvre facilement pour le nettoyage. Il comporte un joint de clapet qui peut être retiré et nettoyé avec du savon et de l'eau pour les produits aqueux ou avec un solvant compatible pour les autres produits. Pour remplacer le clapet anti-retour, le joint de clapet et/ou les tubes d'air, suivre les opérations suivantes :

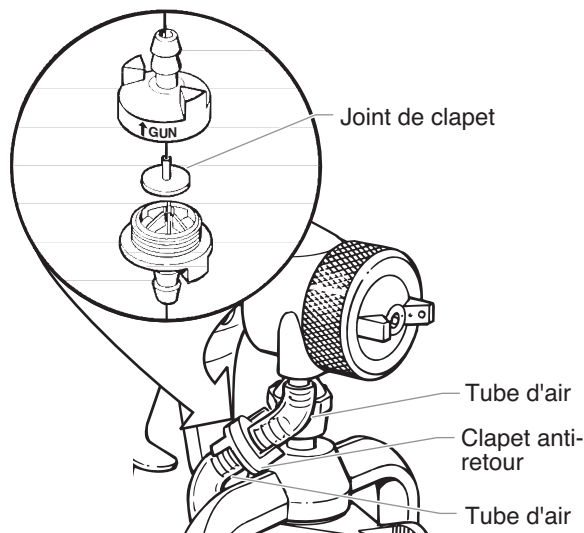
1. Retirer le tube d'air inférieur du fond du clapet anti-retour.
2. Retirer le clapet anti-retour du tube d'air supérieur.
3. Dévisser les deux moitiés du clapet.
4. Retirer le joint de clapet usé.
5. Nettoyer le clapet avec un solvant approprié au type de produit utilisé.

**NOTA : Nettoyer complètement l'intérieur de la moitié supérieure du clapet sans la rayer**



- Insérer un nouveau joint, tige vers le haut, dans la partie supérieure du clapet tel qu'illustré.
- Serrer ensemble les deux moitiés du clapet.
- Insérer la partie supérieure du clapet dans le tube d'air supérieur.

**NOTA:** Insérer le clapet dans le tube d'air de manière à ce que la flèche indiquée sur le clapet pointe vers le pistolet.



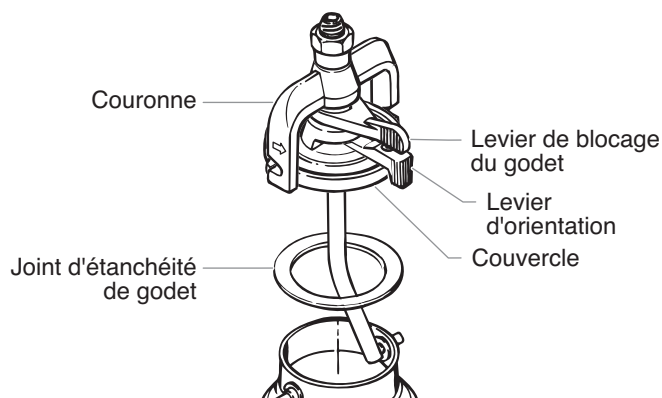
- Si le tube d'air inférieur est trop long, couper le tube jusqu'à ce qu'il s'adapte dans le pistolet.
- Pousser le tube d'air inférieur dans le fond du clapet.

**NOTA :** S'assurer que le tube d'air le plus court soit fixé au raccord du pistolet et le plus long au raccord à air du couvercle de godet.

## Remplacement du joint d'étanchéité du godet

L'usure normale du joint d'étanchéité du godet requiert son remplacement périodique. Il est important de vérifier son état lors de chaque nettoyage.

- Libérer le levier de blocage du godet.
- Maintenir le godet et tourner le pistolet dans le sens indiqué par les flèches de la couronne.
- Retirer le pistolet du godet.
- Retirer le joint usé du couvercle.
- Insérer un nouveau joint dans le couvercle.
- Remettre le pistolet sur le godet.

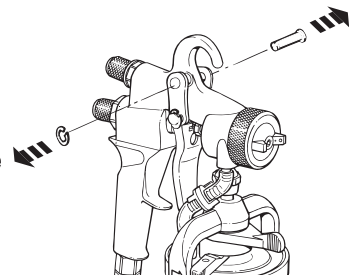


- Tourner le pistolet dans la direction opposée à celle indiquée par les flèches de la couronne jusqu'à ce que les tenons du godet soient dans les encoches de la couronne.
- Serrer le levier de blocage du godet.

## Modification pour détente avec une seule goupille

La détente du pistolet HVLP peut être modifiée pour ne comporter qu'une seule goupille et obtenir une commande plus douce. La course de la détente est diminuée en enlevant la goupille supérieure et en actionnant la détente uniquement avec la goupille inférieure en place. Ce montage diminue la fatigue du doigt et permet un meilleur contrôle lors de la vaporisation de produits légers à faible viscosité tels que les colorants, les vernis et les peintures d'impression.

- Retirer le circlips de la goupille supérieure en plaçant l'arête plate d'un tournevis entre le circlips et la goupille et en les écartant doucement.
- Retirer la goupille du côté opposé du pistolet.



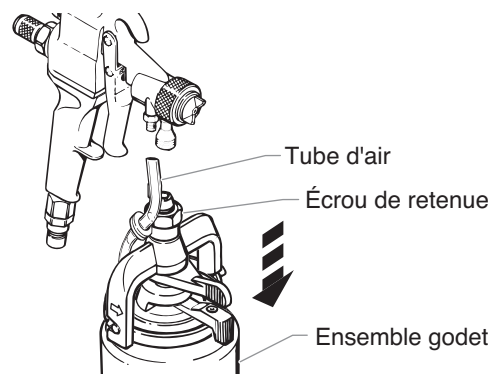
## Utilisation d'un système d'alimentation sous pression

De manière à augmenter le temps de vaporisation entre les remplissages de produit, le pistolet HVLP peut être connecté à un récipient de produit sous pression et un compresseur d'air plus grands.

## Modification du pistolet pour alimentation sous pression

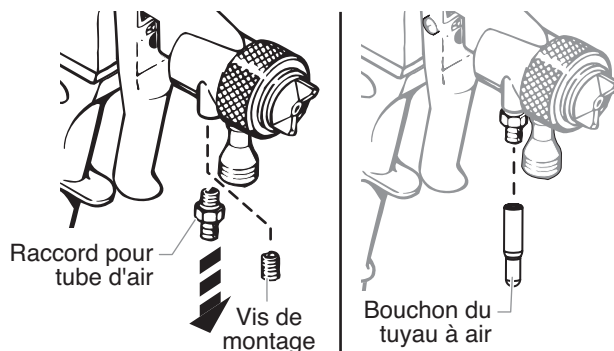
Avant d'utiliser un système d'alimentation sous pression, le pistolet doit être modifié pour recevoir cette alimentation sous pression.

- Desserrer l'écrou de retenue au moyen d'une clé et retirer l'ensemble godet d'une pinte.
- Retirer le tube d'air de son raccord sur le pistolet.



- Démonter le raccord pour tube d'air au moyen d'une clé.
- Visser la vis de montage à l'emplacement du raccord et serrer.

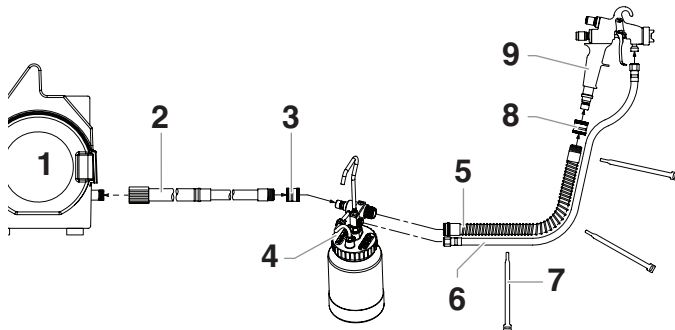
**FACULTATIF (à la place des étapes 3 et 4) :** On peut utiliser un bouchon temporaire (également compris) pour boucher le raccord du tuyau à air, au lieu d'effectuer les étapes 3 et 4 ci dessus, au besoin.



## Raccordement récipient sous pression de deux pintes

1. Convertir le pistolet à l'alimentation sous pression.
2. Raccorder les tuyaux :
  - a. S'assurer que la turbine est À L'ARRÊT et débranchée;
  - b. Fixer le réservoir sous pression à la turbine selon la configuration de tuyau illustrée ci dessous;
  - c. Serrer manuellement les raccords de tuyau d'air;
  - d. Serrer les raccords de tuyau de fluide à l'aide d'une clé à molette.

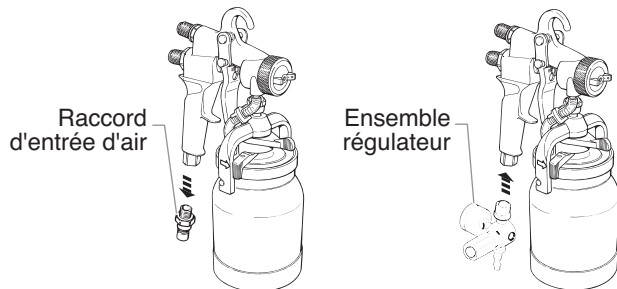
- 1) Turbine
- 2) Tuyau d'air de 9 m
- 3) Raccord rapide femelle
- 4) Ensemble de réservoir sous pression de 2 pintes
- 5) Tuyau d'arrivée d'air de 1,5 m
- 6) Tuyau d'arrivée de fluide de 1,5 m
- 7) Attaches de tuyau
- 8) Raccord rapide femelle
- 9) Pistolet de pulvérisation



## Modification pistolet en pistolet à régulateur

Le pistolet HVLP peut être modifié pour être directement raccordé à un système d'air sous pression existant en l'équipant d'un ensemble régulateur.

1. Démontez le raccord d'entrée d'air à la partie inférieure de la poignée de pistolet au moyen d'une clé.
2. Vissez le raccord sur l'ensemble régulateur et sur l'entrée d'air à la partie inférieure de la poignée de pistolet, et serrez.



3. Fixer le boyau d'air du système d'air sous pression existant à l'ensemble régulateur.
4. Régler le manomètre de l'ensemble régulateur à la pression appropriée pour le revêtement à effectuer.

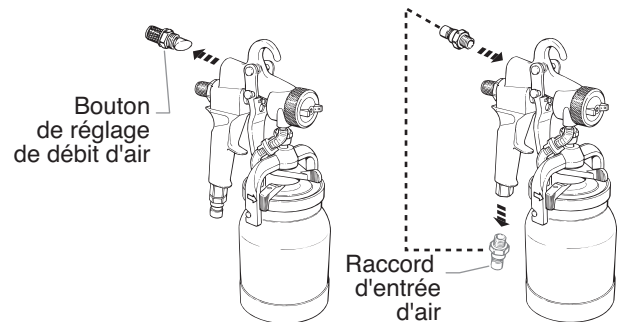
**NOTA :** les bouchons d'air standards nécessitent un débit d'air de 15 - 25 SCFM. Les bouchons d'air pour faible débit utilisable avec les petits compresseurs d'air est disponible pour le pistolet à régulateur. Se reporter à la section Accessoires optionnels pour obtenir le numéro de pièce.

## Modification du pistolet non-purgeur en pistolet purgeur

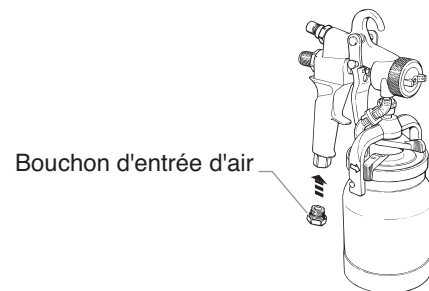
Le pistolet HVLP peut être modifié en pistolet purgeur. Le montage en pistolet purgeur procure un pouvoir atomisant supérieur pour les produits à viscosité plus importante tels que le latex et les émaux. Le montage avec purgeur peut faciliter la vaporisation dans les endroits confinés tels que les intérieurs des armoires car le boyau d'air est déplacé à l'arrière du pistolet.

**Pour modifier un pistolet en pistolet purgeur, suivre les opérations suivantes:**

1. Démontez le bouton de réglage de débit d'air de l'arrière du pistolet au moyen d'une clé.
2. Démontez le raccord d'entrée d'air de la partie inférieure de la poignée de pistolet au moyen d'une clé.
3. Vissez le raccord d'entrée d'air dans l'emplacement du bouton de réglage de débit d'air à l'arrière du pistolet. Serrer le raccord.



4. Vissez le bouchon d'entrée d'air (expédié en pièce détachée avec l'ensemble de la documentation du pistolet) dans l'entrée d'air à la partie inférieure de la poignée de pistolet. Serrer le bouchon.



5. Raccorder le boyau d'air au raccord d'entrée d'air déplacé.

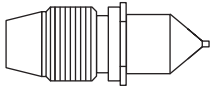
**NOTA :** dans le montage en pistolet purgeur, l'absence du bouton de réglage de débit d'air permet une alimentation en air en tout temps lorsque le boyau d'air est raccordé au pistolet.

## Choix du projecteur

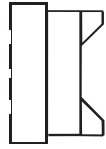
Le pistolet HVLP doit être équipé d'un projecteur approprié au type de travail à effectuer. Le projecteur est constitué d'un pointeau, d'une buse, et d'un bouchon d'air.



Pointeau



Buse



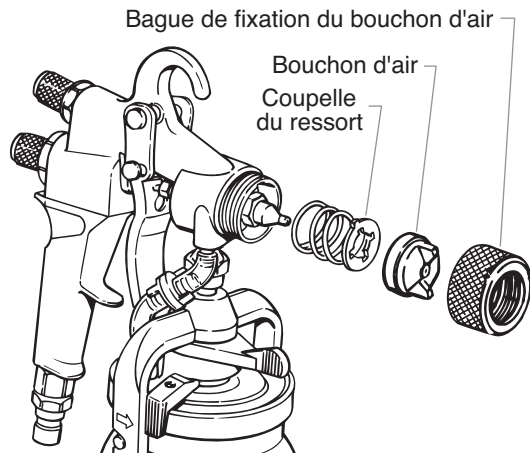
Bouchon d'air

Il faut choisir le projecteur en fonction de deux facteurs : le produit à pulvériser et le fini désiré.

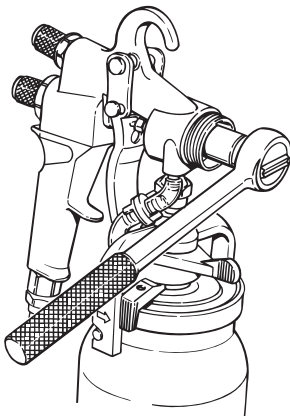
Le tableau de la page suivante permet d'effectuer le bon choix.

## Echange du projecteur

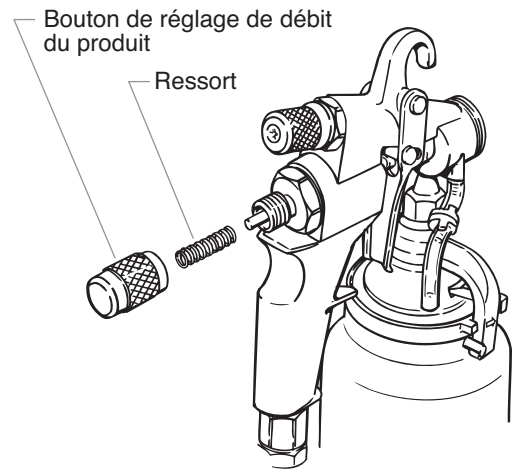
1. Retirer la bague de fixation du bouchon d'air, le bouchon lui-même et la coupelle du ressort.



2. Retirer la buse.

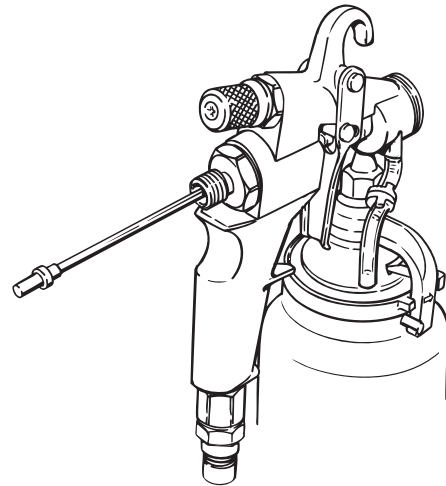


3. Retirer le ressort et le bouchon de réglage de débit de produit.



4. Retirer le pointeau.

**IMPORTANT : Dévisser l'écrou presse-garniture pour éviter d'endommager le pointeau si celui-ci est difficile à retirer.**



5. Monter le nouveau projecteur en respectant l'ordre inverse.

## Accessoires optionnels

No de pièce	Description
0276254	Projecteur no 2, complet
0276227	Projecteur no 3, complet
0276228	Projecteur no 4, complet
0276229	Projecteur no 5, complet
0276245	Projecteur no 6, complet
0524211	Projecteur no 7, complet
0277090	Projecteur faible débit no #2A, complet
0277091	Projecteur faible débit no #3A, complet
0277092	Projecteur faible débit no #4A, complet
0277093	Projecteur faible débit no #5A, complet
0277094	Projecteur faible débit no #6A, complet
0276449	Bouchon d'air no 2
0276452	Bouchon d'air no 3
0276455	Bouchon d'air no 4
0276458	Bouchon d'air no 5
0276417	Bouchon d'air no 6
0524401	Bouchon d'air no 7
0295641	Bouchon d'air faible débit #2A
0295642	Bouchon d'air faible débit #3A
0295643	Bouchon d'air faible débit, #4A
0295644	Bouchon d'air faible débit #5A
0295645	Bouchon d'air faible débit #6A
0276446	Buse no 2
0276451	Buse no 3
0276454	Buse no 4
0276457	Buse no 5
0276418	Buse no 6
0524363	Buse no 7
0276447	Pointeau no 2
0276453	Pointeau no 3
0276456	Pointeau no 4
0276459	Pointeau no 5
0276244	Pointeau no 6
0524210	Pointeau no 7
0508124	Couvercle à clipper, 1 pinte
0279942	Ensemble accessoire pour embout
0279941	Ensemble accessoire pour embout Deluxe

**NOTA : les ensembles de projecteurs « à faible débit d'air » et les chapeaux d'air peuvent être utilisés avec les compresseurs à faibles pieds cubes à la minute.**

## Trousses de réparation

No de pièce	Description
0297051	Trousse de réparation de clapet anti-retour (3 ensembles)
0276257	Ensemble de membranes de clapet anti-retour ... (10 membranes)
0297052	Godet et joints blancs (6 joints)
0276258	Godet, joints et, Thiakol noirs (6 joints)
0277943	Trousse de réparation de pistolet de vaporisation HVLP

### Inclus:

- joint avant de soupape de régulation d'air
- joint arrière de soupape de régulation d'air
- garniture de pointeau
- joint torique de soupape de dérégulation d'air (2)
- ensemble clapet anti-retour
- tube court de clapet anti-retour
- tube long de clapet anti-retour
- joint d'étanchéité du godet

## Réduction produit/tableau des projecteurs

Avant la vaporisation, le produit utilisé doit être dilué avec un solvant approprié et le projecteur adéquat doit être monté. Il est toujours préférable de suivre les recommandations et les procédures de dilution du fabricant de produit.

Il existe deux procédés simples pour mesurer l'épaisseur appropriée d'un produit :

1. Tremper une baguette à brasser la peinture dans le produit et la retirer en observant soigneusement l'écoulement du produit. Lorsque le produit commence à former des gouttes, celles-ci doivent tomber environ toutes les secondes.
2. Utiliser un godet de viscosimètre (réf. 0153165). Plonger le godet dans le produit et le retirer. Chronométrer le temps d'écoulement du produit du godet tant qu'il s'écoule de manière continue. Une fois que l'écoulement continu s'interrompt, relever le temps et se reporter au tableau ci-dessous. Ajouter la quantité de solvant appropriée et continuer le test jusqu'à ce que l'épaisseur correcte pour le type de produit utilisé soit atteinte.

Substance	% de réduction	Durée	Solvant	Numéro de projecteur
Peinture au latex	20 à 25 %	30 à 35 sec.	Eau	5
Peinture à l'huile	10 à 20 %	20 à 30 sec.	Essences minérales	4
Peinture époxy	1 à 10 %	30 à 35 sec.	Recommandations du fabricant	5
Préservateur pour bois translucide	Non dilué		Recommandations du fabricant	4
Vernis	Recommandations du fabricant		Naphta	3
Polyuréthane	10 %	18 à 22 sec.	Méthyléthylcétone	3
Bouche-pores	Non dilué		Essences minérales	3
Apprêt à l'huile	15 à 20 %	30 à 35 sec.	Essences minérales	4
Émail rapide	25 %	20 à 25 sec.	Essences minérales	4
Teinture	Non dilué		Recommandations du fabricant	3
Apprêt à métal	15 %	25 à 30 sec.	Essences minérales	4
Émail industriel	15 %	30 à 35 sec.	Essences minérales	4
Peinture aluminium	Non dilué		Essences minérales	4
Apprêt nitrocellulosique	Recommandations du fabricant	18 à 22 sec.	Diluant à laque	3
Laque	50 %	18 à 22 sec.	Diluant à laque	3

# Diagnostic des anomalies

## Problème

## Cause

## Solution

A. Peu ou pas de débit de peinture

1. De la peinture séchée obstrue la buse
2. Aucune pression d'air dans le godet ou la bonbonne de peinture
3. Le clapet anti-retour dans tube d'air est bouché
4. Aucune pression de fluide
5. Obstruction dans le tuyau de produit

1. La démonter et la nettoyer
2. Inspecter les joints du tube d'air, du godet ou de la bonbonne; les nettoyer ou les remplacer
3. Nettoyer ou remplacer l'ensemble clapet anti-retour
4. Vérifier l'alimentation du produit
5. Le nettoyer en le purgeant avec un solvant

B. Fuite de peinture

1. Le pointeau ou la buse sont de calibre incorrect
2. Le pointeau ou la buse sont endommagés
3. La buse est desserrée
4. L'écrou presse-garniture est desserré
5. Mauvais dosage du pointeau

1. Les remplacer
2. Les remplacer
3. La resserrer
4. La resserrer
5. a) Desserrer l'écrou presse-garniture  
b) Remplacer le ressort du pointeau  
c) Retirer la peinture séchée du pointeau

C. La peinture refoule passé le clapet anti-retour

1. Le pistolet est trop incliné lorsqu'il ne vaporise pas
2. Le clapet anti-retour fuit

1. Incliner le pistolet uniquement lors de la vaporisation
2. Nettoyer ou remplacer le clapet anti-retour

D. Aire de pulvérisation irrégulière

1. Les prises d'air situées dans les pattes du bouchon d'air sont engorgées
2. La buse est engorgée
3. La buse ou le pointeau sont endommagés

1. Retirer et nettoyer les prises d'air
2. La nettoyer au moyen du solvant approprié
3. Les retirer et les remplacer

E. Jet pulsé

1. La garniture est lâche ou endommagée

1. La resserrer ou la remplacer

F. Aire de pulvérisation plus dense au centre

1. La pression de fluide est trop élevée

1. Réduire la pression

G. Pistolet qui «crachote»

1. La soupape du tube d'air ne fonctionne pas adéquatement
2. Le produit est trop épais
3. Le projecteur est trop petit.

1. Remplacer la soupape
2. Le diluer
3. Monter un projecteur approprié.

H. Accumulation de peinture sur le bouchon d'air

1. Le bouchon est mal ajusté

1. Régler correctement le bouchon d'air de manière à ce que la peinture s'écoule librement à travers le bouchon

I. Trop de pulvérisation hors cible

1. La pression d'air est trop élevée
2. Le produit est trop dilué
3. Le pistolet est trop loin de la surface

1. Réduire la pression
2. Ajouter du produit non dilué
3. S'en rapprocher



# Información de seguridad importante • Lea toda la información de seguridad antes de operar el equipo. **GUARDE ESTAS INSTRUCCIONES.**



Indica una situación peligrosa que, de no evitarse, puede causar la muerte o lesiones graves.



Para reducir los riesgos de incendios, explosiones, descargas eléctricas o lesiones a las personas, lea y entienda todas las instrucciones incluidas en este manual. Familiarícese con los controles y el uso adecuado del equipo.

## PELIGRO: POSIBLE EXPLOSIÓN DEBIDO A MATERIALES INCOMPATIBLES

Causará daños materiales o lesiones graves.



### PREVENCIÓN:

- No use materiales que contengan blanqueador o cloro.
- No use solventes de hidrocarburos halogenados como blanqueador, mohocida, cloruro de metileno y 1,1,1 tricloroetano. No son compatibles con el aluminio.
- Diríjase al proveedor de revestimientos para obtener los datos de compatibilidad del material con el aluminio.

## PELIGRO: GENERAL

Puede causar daños en la propiedad o lesiones severas.

### PREVENCIÓN:

- Lea todas las instrucciones y advertencias de seguridad antes de hacer funcionar cualquier equipo.
- Observe todos los códigos locales, estatales y nacionales apropiados que rigen las medidas de ventilación, prevención de incendios y operación.
- Los Estándares de Seguridad del Gobierno de los Estados Unidos se han adoptado bajo el Decreto de Seguridad y Salud Ocupacionales (OSHA por sus siglas en inglés). Deben consultarse estos estándares, particularmente la parte 1910 de los Estándares Generales y la parte 1926 de los Estándares de la Construcción.
- Utilice únicamente piezas autorizadas por el fabricante. El usuario asume todos los riesgos y responsabilidades si usa piezas que no cumplen con las especificaciones mínimas y dispositivos de seguridad del fabricante.
- Antes de usarla cada vez, revise todas las mangueras para ver que no tengan cortadas, fugas, una cubierta desgastada por abrasión o con abolladuras, así como uniones dañadas o que se hayan movido. Si existiera cualquiera de estas condiciones, reemplace la manguera inmediatamente. No repare nunca una manguera. Reemplazar lo con una manguera idéntica de reemplazo.
- No atomice en días con viento.
- Use ropa que evite el contacto de la pintura con la piel y el cabello.
- Nunca apunte la pistola hacia alguna parte del cuerpo.

## PELIGRO: GASES PELIGROSOS

Las pinturas, solventes, insecticidas y otros materiales pueden ser perjudiciales si se inhalan o entran en contacto con el cuerpo. Los gases pueden causar náusea, desmayos o envenenamiento graves.



### PREVENCIÓN:

- Use una mascarilla respiratoria o careta siempre que exista la posibilidad de que se puedan inhalar vapores. Lea todas las instrucciones que vengan con la careta para estar seguro de que se tendrá la protección necesaria contra la inhalación de vapores dañinos.
- Use gafas protectoras.
- Use ropa de protección, según lo requiera el fabricante del producto.



## PELIGRO: QUEMADURA DE LA PIEL

Las piezas calientes pueden causar lesiones de quemadura de la piel severas.

### PREVENCIÓN:

- Las conexiones de desconexión rápida de la manguera y la pistola de atomización se llegan a calentar mientras se usan. Evite que la piel tenga contacto con las conexiones de desconexión rápida cuando se calienten. Deje que las conexiones de desconexión rápida se enfríen antes de desconectar la pistola de atomización de la manguera.

## PELIGRO: INCENDIO O EXPLOSIÓN

Los vapores de los solventes y pinturas pueden explotar o encenderse y causar con esto daños en la propiedad y/o lesiones severas.



### PREVENCIÓN:

- Debe proveerse un escape y aire fresco para hacer que el aire que está dentro del área de atomización se mantenga libre de acumulaciones de vapores inflamables.
- Evite todas las fuentes de ignición como son las chispas electrostáticas, llamas abiertas, flamas de piloto, objetos calientes, cigarrillos, y chispas que se generan al conectar y desconectar las extensiones o de apagadores de luz que estén funcionando.
- No fume en la zona de trabajo.
- Debe haber un equipo para extinguir incendios permanentemente y en buenas condiciones.
- El cable de energía debe conectarse en un circuito que esté conectado a tierra.
- Siga las medidas de precaución y advertencias de seguridad del fabricante del material y del solvente.
- Tenga muchísimo cuidado al usar materiales cuyo punto de ignición sea inferior a 70° F (21° C). El punto de ignición es la temperatura a la cual pueden encenderse los vapores emanados por un fluido al exponerlos a llamas o chispas.
- El plástico puede causar chispas estáticas. Nunca cuegue plástico en las ventanas ni en las puertas del área donde va a pintar. No utilice plástico para proteger el piso cuando pinte materiales inflamables.



## Contenido

Seguridad .....	22
Servicio .....	23
Introducción .....	23
Cómo utilizar una pistola atomizadora HVLP .....	23-25
Preparativos para atomizar .....	23
Cómo seleccionar un patrón de atomización .....	23
Tamaño del patrón de atomización .....	24
Para ajustar el flujo de material y el de aire .....	24
Para atomizar .....	24
Cómo ajustar el tubo giratorio .....	24
Cómo limpiar su pistola atomizadora .....	25
Mantenimiento .....	25-27
Cómo ajustar la tuerca de empaque .....	25
Cómo cambiar el empaque de la aguja y los sellos de la válvula de aire .....	25
Cómo cambiar la válvula de retención, el sello de la válvula y los tubos de aire .....	26
Cómo cambiar el empaque del depósito .....	27
Cómo convertir a gatillo de un perno .....	27
Cómo utilizar un sistema de alimentación a presión .....	27-28
Cómo convertir la pistola a alimentación a presión .....	27
Cómo conectar la pistola a un recipiente a presión de dos cuartos de galón .....	28
Cómo convertir la pistola en una pistola reguladora .....	28
Cómo convertir la pistola de una adaptación que no es para purga a una de purga .....	28
Para escoger un equipo alargador .....	29
Cómo cambiar un juego de proyector .....	29
Accesorios opcionales .....	29
Tabla de reducción de material y de juego de proyector .....	30
Detección de problemas .....	31
Lista de partes de la pistola atomizadora de turbina .....	32-33
Lista de partes de la pistola atomizadora de turbina alimentada a presión .....	34-35
Lista de partes de la pistola atomizadora reguladora .....	36-37
Lista de partes de la pistola atomizadora de compresora alimentada a presión .....	38-39
Garantía limitada .....	41

## Servicio

Si su pistola necesitara recibir servicio durante el periodo de garantía, devuelva la pieza y la prueba de compra al distribuidor donde la compró. Nosotros decidiremos si la reparamos o la reemplazamos. Por el compromiso continuo que tenemos de mejorar la calidad, nos reservamos el derecho de hacer cambios de componentes o diseño cuando sea necesario.

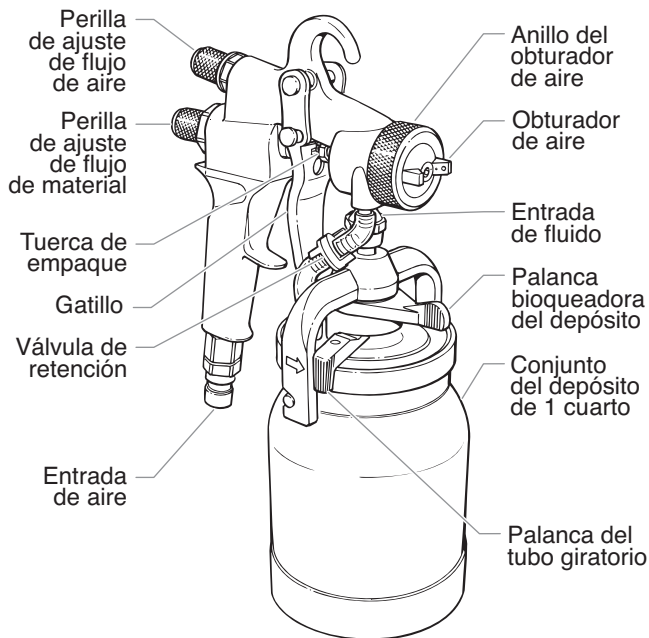
## Introducción

Estas pistolas atomizadoras están diseñadas para utilizarse en sistemas de pintura de Alto Volumen y Baja Presión (HVLP, por sus siglas en inglés).

En un sistema HVLP se puede obtener un acabado profesional de alta calidad con poco tiempo de preparación o montaje. Los sistemas HVLP no están destinados para sustituir los sistemas sin aire. En cambio, su propósito es complementar el sistema sin aire mejorando el acabado final del sustrato, minimizando el desperdicio y reduciendo el tiempo de trabajo. Además de mejorar la rentabilidad, los sistemas HVLP cumplen con los requisitos de eficiencia más exigentes.

Las pistolas atomizadoras HVLP descritas en este manual incluyen la pistola de turbina, la pistola reguladora de turbina, la pistola de turbina alimentada por arriba, la pistola reguladora y la pistola reguladora alimentada por arriba. Por favor lea toda la información contenida en este manual antes de operar un sistema HVLP.

**NOTA:** La operación y mantenimiento en general de todos los tipos de pistola atomizadora HVLP son iguales. Para propósitos de ilustración, en los diagramas se muestra la pistola de turbina. Sin embargo, cualquier información específica de un tipo de pistola se proporciona cuando es necesario. En las últimas páginas de este manual se incluye una lista de partes para cada tipo de pistola.



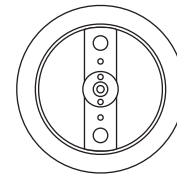
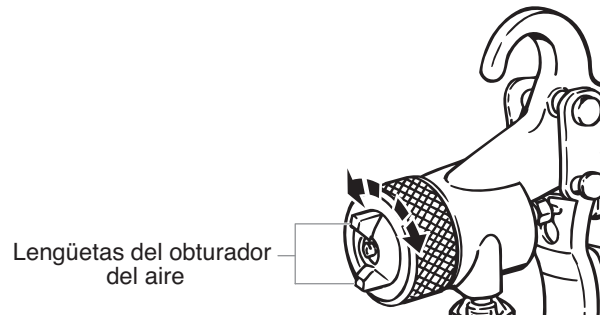
## Cómo utilizar una pistola atomizadora HVLP

### Preparativos para atomizar

1. Desenganche la palanca bloqueadora del depósito y quítelo.
2. Asegúrese que el depósito y goempaque del depósito esté limpio y en su lugar. Llene el depósito con el material de pintura deseado.
3. Ponga el depósito en la pistola atomizadora y apriete la palanca bloqueadora del depósito.
4. Conecte la manguera de aire en el adaptador de la entrada de aire ubicado en la parte inferior del asa de la pistola.
5. Encienda el suministro de aire.

### Cómo seleccionar un patrón de atomización

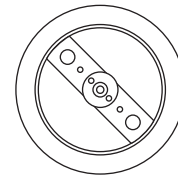
El patrón de atomización se ajusta girando el obturador del aire hasta cualquiera de las posiciones vertical, horizontal o diagonal. Para girar el obturador del aire, tome las dos lengüetas delanteras que tiene y dele vuelta. Nunca dispare la pistola mientras esté ajustando el patrón de atomización.



Posición vertical de la boquilla



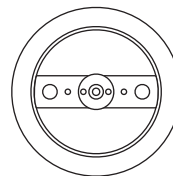
Patrón horizontal



Posición diagonal de la boquilla



Patrón redondo



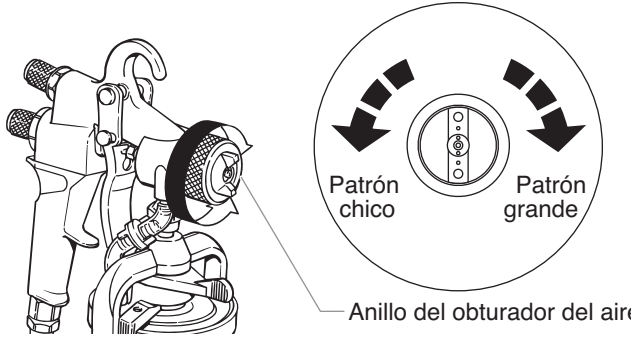
Posición horizontal de la boquilla



Patrón vertical

## Tamaño del patrón de atomización

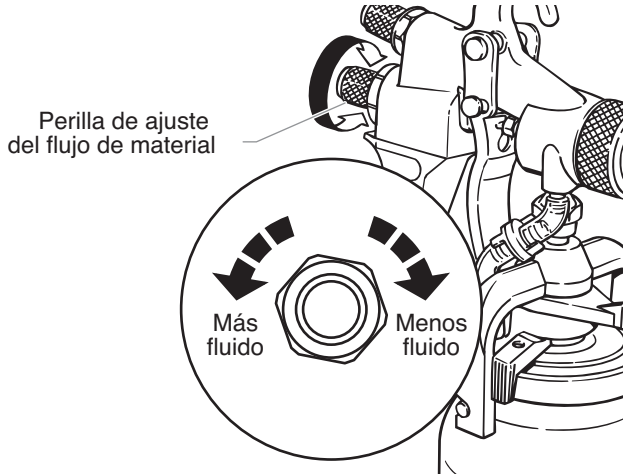
Para cambiar el tamaño del patrón de atomización sin cambiar la forma del patrón, gire el anillo del obturador del aire.



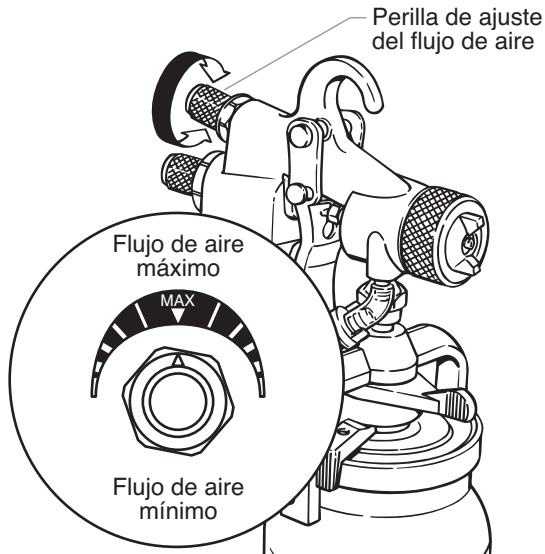
Al girar el anillo en dirección de las manecillas del reloj el patrón se hará más grande. Al girar el anillo en dirección opuesta a las manecillas del reloj el patrón se hará más pequeño. A medida que vaya reduciendo el tamaño del patrón de atomización usted necesitará acercarse más a la superficie.

## Para ajustar el flujo de material y el de aire

Podría ser necesario efectuar ligeros ajustes en el flujo para cada trabajo y material en particular. Gire la perilla de ajuste del flujo de material en dirección de las manecillas del reloj para dejar salir más fluido.



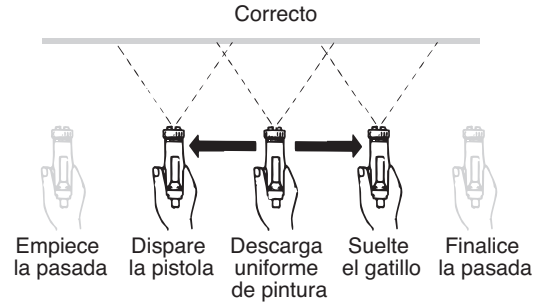
Gire la perilla de ajuste del flujo de aire para dejar salir más o menos aire. Fije la marca de la perilla en posición vertical para tener el flujo de aire máximo. Acuérdesse de probar el atomizador sobre un pedazo de madera o cartón de desperdicio antes de usarlo.



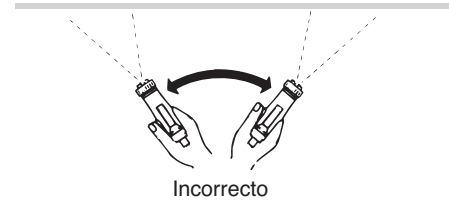
## Para atomizar

Sostenga la pistola de atomización a una distancia de 1 a 8 pulgadas de la superficie por atomizar, dependiendo del tamaño del patrón de atomización que necesite. Mientras más cerca de la superficie sostenga la pistola, más pequeño será el patrón.

Mantenga la pistola en ángulo recto con respecto a la superficie por atomizar para aplicar una capa uniforme de material. Será menos probable que el material para atomizar se corra o resbale si mantiene la pistola moviéndose a una velocidad lenta y constante.



Siempre oprima el gatillo de la pistola de atomización después de que empiece la pasada y suéltelo antes de que la complete. Para obtener el mejor resultado, atomice en cada pasada 20 pulgadas de longitud y traslape las pasadas de 4 a 5 pulgadas. Acuérdesse de mantener la pistola en ángulo recto con respecto a la superficie por atomizar.

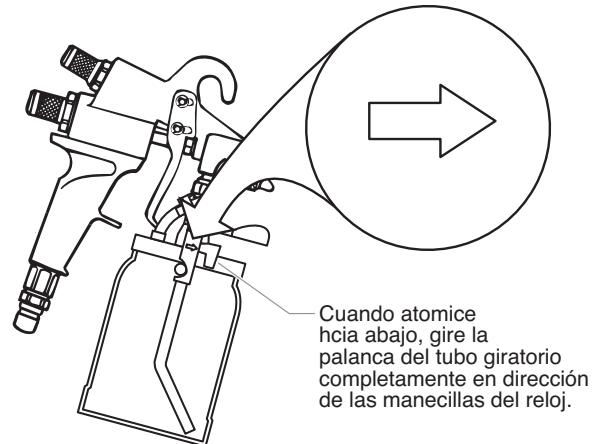


## Cómo ajustar el tubo giratorio

El tubo giratorio ajustable de su pistola de atomización le permite aprovechar al máximo el material que hay en el depósito sin importar a qué ángulo necesite atomizar.

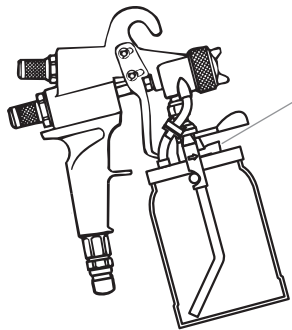
Si está sosteniendo su pistola de atomización inclinada hacia abajo, gire la palanca giratoria en dirección de las manecillas del reloj por completo.

**NOTA:** Una flecha ubicada en cada lado del puente indica la dirección hacia la que el tubo giratorio está apuntando cuando la palanca del tubo giratorio está en su posición completamente en dirección de las manecillas del reloj o en dirección opuesta a las manecillas del reloj.



Si está sosteniendo su pistola de atomización inclinada hacia arriba, gire la palanca giratoria en dirección opuesta a las manecillas del reloj por completo.





Cuando atomice hacia arriba, gire la palanca del tubo giratorio completamente en dirección opuesta a las manecillas del reloj. La flecha del puente ubicada en el lado de la dirección opuesta a las manecillas del reloj coincide con la posición del tubo giratorio.

**NOTA:** La palanca del tubo giratorio está directamente debajo de la palanca bloqueadora del depósito. La palanca bloqueadora del depósito sujeta el depósito a la pistola atomizadora.



Palanca bloqueadora del depósito  
Palanca giratoria

## Cómo limpiar su pistola atomizadora

Es muy importante que limpie bien su pistola atomizadora HVLP después de cada uso.

1. Vacía el material del depósito.
2. Ponga una pequeña cantidad del solvente apropiado en el depósito u una el depósito a la pistola atomizadora.
3. Agite y atomice la pistola en un lugar bien ventilado.

**NOTA:** No restrinja la boquilla cuando esté limpiando la pistola. No es necesario lavar el sistema en dirección opuesta a la salida del material.

4. Repita los pasos anteriores hasta que el solvente salga limpio.
5. Lave el exterior/interior del depósito y de la pistola atomizadora con el solvente apropiado
6. Quite la aguja, la boquilla de fluido y el obturador de aire y límpielos bien. Asegúrese que los orificios de aire y las aberturas por donde pasa el material estén completamente limpios. Nunca utilice herramientas de metal ni puntillas para limpiar el obturador de aire o la boquilla.

**IMPORTANTE:** Cualquier intento de quitar el adaptador de la entrada de fluido ocasionará que el cuerpo de la pistola se dañe y la garantía perderá su validez.

**NOTA:** Quite el empaque de la aguja sólo cuando vaya a reemplazarlo. No quite el empaque de la aguja para limpiarlo.

7. Desarme, limpie y seque la válvula de retención y los tubos de aire después de cada uso.

**IMPORTANTE:** NO limpie los tubos de aire con solventes fuertes tales como solvente para laca. Los solventes fuertes dañan los tubos de aire.

**NOTA:** Lubrique todas las partes roscadas de la pistola atomizadora con vaselina cuando las vuelva a instalar. Esto ayudará a que sigan funcionando correctamente.

**IMPORTANTE:** No use ningún lubricante que contenga silicón. El silicón puede causar problemas cuando se usen algunas pinturas.

## Mantenimiento

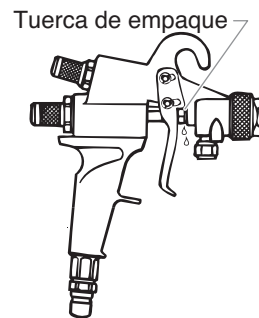
Lleve a cabo los siguientes procedimientos de mantenimiento para que su pistola atomizadora HVLP se conserve en buenas condiciones de funcionamiento.

### Cómo ajustar la tuerca de empaque

En caso que el material se fugue alrededor o a través de la tuerca de empaque, vuelva a ajustarla.

1. Desconecte la manguera de aire de la entrada de aire y quite el conjunto del depósito.
2. Jale el gatillo completamente hacia atrás y sujételo en esa posición.
3. Apriete la tuerca de empaque con una llave de 3/8 de pulgada hasta que la aguja permanezca retraída dentro de la boquilla cuando libere el gatillo.
4. Afloje la tuerca de empaque lentamente hasta que la aguja regrese libremente a su posición en la boquilla.

Luego de ajustar la tuerca, vuelva a conectar la manguera de aire y el conjunto del depósito. Apriete el gatillo para verificar que ya no haya fuga. En caso que la fuga continúe, asegúrese que la tuerca de empaque esté lo más apretada posible, mientras que permita que la aguja se desplace libremente. Si apretar la tuerca de empaque no detiene la fuga, cambie el empaque.



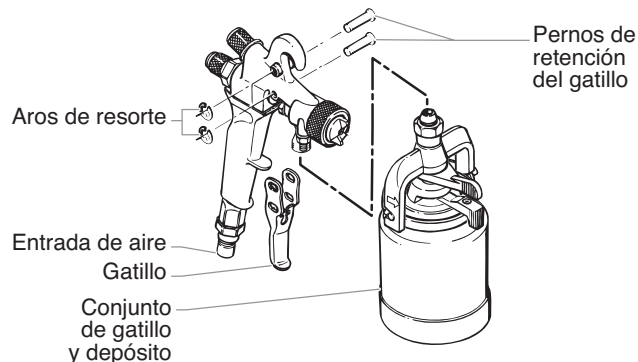
### Cómo cambiar el empaque de la aguja y los sellos de la válvula de aire

**NOTA:** Quite el empaque de la aguja sólo cuando vaya a reemplazarlo por uno nuevo. No quite el empaque de la aguja para limpiarlo.

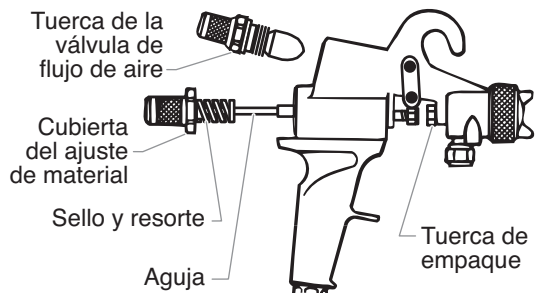
El empaque de la aguja y los sellos de la válvula de aire se pueden cambiar por separado. Si sólo va a cambiar uno de ellos, siga los pasos correspondientes contenidos en los siguientes procedimientos.

#### Cómo quitar la aguja y la cubierta

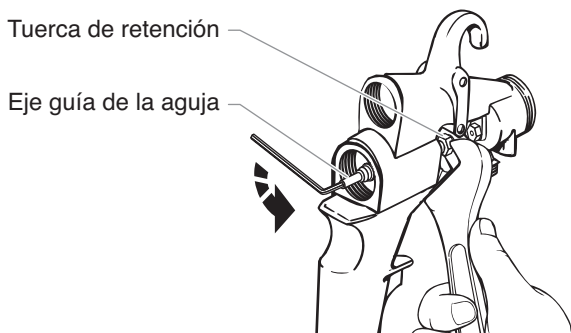
1. Desconecte la manguera de aire de la entrada de aire.
2. Quite la manguera de material o el conjunto del depósito.
3. Quite los aros de resorte de los pernos de retención del gatillo y deslice los pernos para sacarlos de la pistola.
4. Quite el gatillo.



5. Afloje la tuerca de empaque usando una llave de 3/8 de pulgada.
6. Afloje la tuerca de la válvula de flujo de aire para llegar a la cubierta del ajuste de flujo de material.
7. Afloje y quite la cubierta del ajuste de flujo de material, la aguja, el selio y el resorte usando una llave.



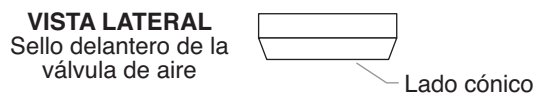
8. Introduzca una llave hexagonal de 1/8 de pulgada en la parte trasera del eje guía de la aguja.
9. Sujete la tuerca de retención con una llave y gire la llave hexagonal de 1/8 de pulgada en dirección opuesta a las manecillas del reloj para quitar la tuerca de retención.
10. Jale el eje guía de la aguja y sáquela del cuerpo de la pistola.



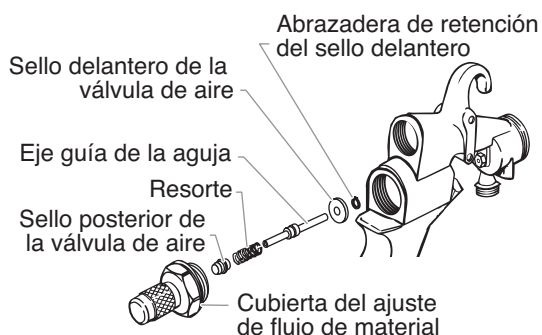
#### Cómo cambiar los sellos de la válvula de aire

1. Quite el sello posterior viejo de la válvula de aire. Tal vez se quede en el extremo del resorte del eje guía de la aguja o en la cubierta del ajuste de flujo de material.
2. Deslice el nuevo sello posterior en la cubierta del ajuste de material.
3. Quite la abrazadera de retención del sello delantero usando pinzas de aro de resorte.
4. Deslice el sello delantero viejo de la válvula de aire hacia afuera del eje guía de la aguja.
5. Ponga el nuevo sello delantero de la válvula de aire en el eje guía de la aguja con el lado cónico viendo hacia la pistola.

**NOTA:** Asegúrese que el nuevo sello delantero de la válvula de aire se vea igual al que quitó.

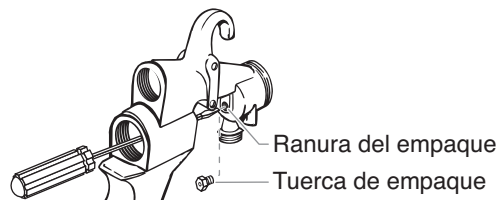


6. Introduzca a presión la abrazadera de retención del sello delantero en el eje guía de la aguja.



#### Cómo quitar el empaque

1. Quite la tuerca de empaque usando una llave de 3/8 de pulgada.
2. Introzca un desarmador plano que sea delgado y largo en la parte trasera de la pistola y a través de la ranura del empaque.
3. Presione firmemente el desarmador debajo del empaque y gírelo en dirección opuesta a las manecillas del reloj. Esto debe hacer que el empaque usado se desprenda de la ranura del empaque. Si no sale, empuje el desarmador con más fuerza e inténtelo de nuevo. Si aún no sale el empaque, utilice una herramienta de pico para sacarlo.



**NOTA:** Asegúrese de sacar todo el empaque usado antes de poner el empaque nuevo.

#### Cómo instalar el empaque nuevo y volver a armar la pistola

1. Ponga el empaque nuevo en la ranura del empaque.
2. Gire la tuerca de empaque una vuelta hacia el interior de la ranura del empaque. No la apriete.
3. Empuje el eje guía de la aguja a través de la parte trasera del cuerpo de la pistola y apriete la tuerca de retención.
4. Sujete la cubierta del ajuste de flujo de material con la aguja unida. Deslice la aguja con el resorte y el sello posterior de la válvula de aire a través del eje guía de la aguja y hacia el interior de la tuerca de empaque. Apriete con fuerza la cubierta del ajuste de fluido de material usando una llave.
5. Apriete firmemente la tuerca de empaque usando una llave de 3/8 de pulgada, luego afloje la tuerca de empaque un cuarto de vuelta.
6. Enrosque la tuerca de la válvula de flujo de aire y la perilla de ajuste de flujo de aire hacia el interior del cuerpo de la pistola y apriételas en su posición.
7. Arme el gatillo introduciendo el perno de retención o los pernos y uniéndolos a los aros de resorte.
8. Jale el gatillo para asegurarse que la aguja se desplace libremente. Si la aguja se atora, afloje la tuerca de empaque. Si el empaque tiene fuga, apriete la tuerca de empaque.

#### Cómo cambiar la válvula de retención, el sello de la válvula y los tubos de aire

La válvula de retención es una válvula de un sentido para permitir que el aire pase al depósito, presurizando así el material contenido en el depósito. Debido a que la válvula es de un sentido, evita que la pintura llegue al tubo de aire y a las aberturas de la pistola por donde pasa el aire. Además, mantiene la presión en el depósito, eliminando retrasos en el flujo de material cuando la pistola es accionada.

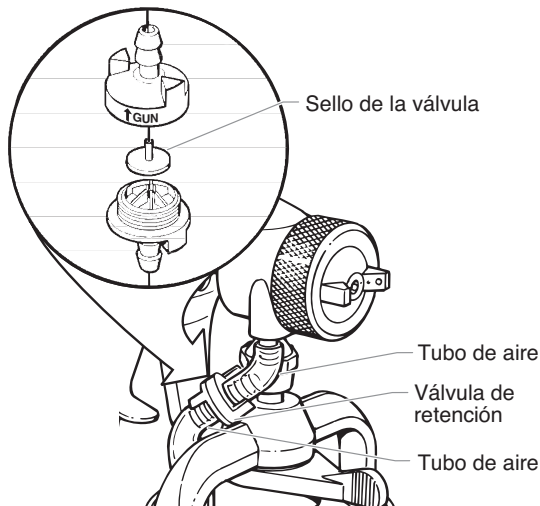
La válvula de retención se gira fácilmente para abrirla y lavarla. Contiene un sello de válvula que se puede quitar y lavar, ya sea con agua y jabón para quitar materiales transportados por el agua, o con un solvente compatible para eliminar otros materiales. Para cambiar la válvula de retención, el sello de la válvula o los tubos de aire:

1. Jale el tubo de aire inferior de la parte de abajo de la válvula de retención.
2. Jale la válvula de retención del tubo de aire superior.
3. Destornille las dos mitades de la válvula de retención.
4. Quite sello usado de la válvula.
5. Lave el cuerpo de la válvula de retención con el solvente apropiado para el tipo de material que está utilizando.

**NOTA:** Limpie bien el interior de la mitad superior de la válvula de retención pero no la raspe.

- Introduzca un sello de válvula nuevo, con el vástago viendo hacia arriba, en la parte superior de la válvula de retención como se muestra.
- Una las dos mitades de la válvula de retención.
- Introduzca la parte superior de la válvula de retención en el tubo de aire superior.

**NOTA:** Introduzca la válvula de retención en el tubo de aire de modo que la flecha de la válvula esté dirigida hacia la pistola.



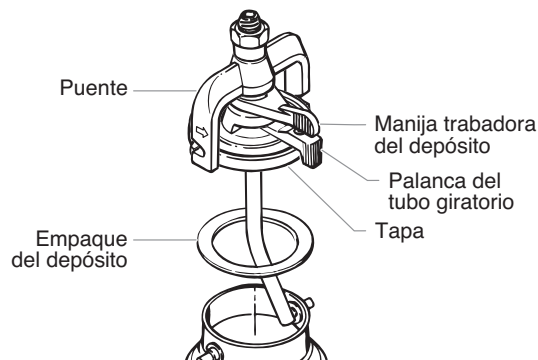
- Si el tubo de aire inferior es muy largo, corte el tubo para que embone en la pistola.
- Introduzca el tubo de aire inferior en la parte de abajo de la válvula de retención.

**NOTA:** Asegúrese de unir el tubo de aire más corto al adaptador de la pistola y el tubo de aire más largo a la boquilla de aire de la tapa del depósito.

### Cómo cambiar el empaque del depósito

El empaque del depósito debe cambiarse periódicamente debido al desgaste normal. Es importante inspeccionar el empaque del depósito durante cada limpieza.

- Libere la manija trabadora del depósito.
- Sujete el recipiente y gire la pistola atomizadora en la dirección que indican las flechas ubicadas en el puente.
- Separe la pistola atomizadora del depósito.
- Saque de la tapa el empaque usado.
- Ponga un empaque nuevo en la tapa.
- Ponga la pistola atomizadora en la parte superior del depósito.

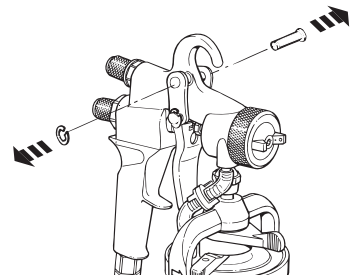


- Gire la pistola atomizadora en dirección opuesta a la indicada por las flechas ubicadas en el puente hasta que las espigas del depósito estén en las ranuras del puente.
- Apriete la manija trabadora del depósito.

### Cómo convertir a gatillo de un perno

El gatillo de su pistola atomizadora HVLP se puede convertir a gatillo de un perno para jalarlo con mayor suavidad. Al quitar el perno superior del gatillo y operar la pistola sólo mediante el perno inferior el esfuerzo se reduce. Esta adaptación disminuye la fatiga en los dedos y proporciona mayor control al atomizar con materiales delgados y de reducida viscosidad tales como tintes, barnices y selladores.

- Quite la abrazadera de retención ubicada en el perno superior del gatillo colocando el extremo plano de un desarmador entre la abrazadera y el perno, haciendo palanca suavemente.
- Jale el perno del gatillo del lado opuesto de la pistola.



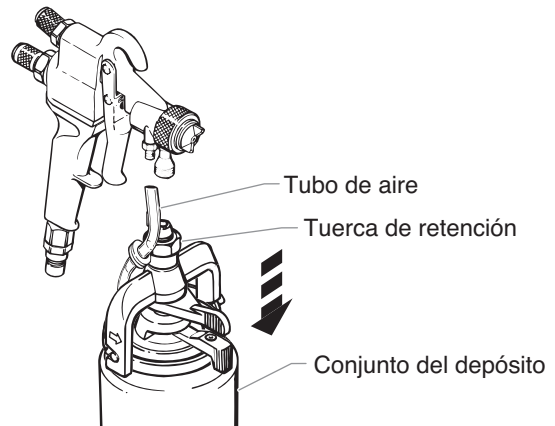
### Cómo utilizar un sistema de alimentación a presión

Para aumentar el tiempo de atomizado, su pistola atomizadora HVLP se puede conectar a un recipiente de material a presión y compresora de aire más grande.

### Cómo convertir la pistola a alimentación a presión

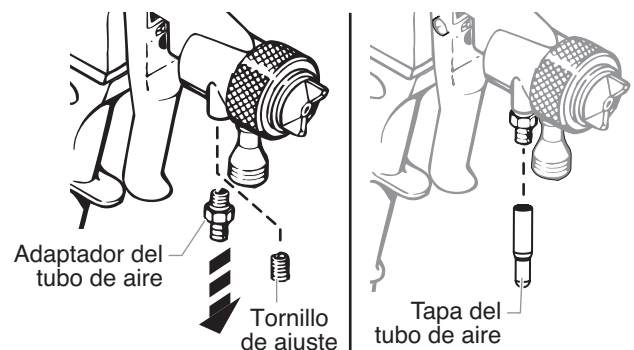
Antes de utilizar un sistema de alimentación a presión, la pistola atomizadora debe convertirse a una pistola de alimentación a presión.

- Afloje la tuerca de retención usando una llave y quite el conjunto del depósito de un cuarto de galón.
- Jale el tubo de aire para sacarlo del adaptador ubicado en la pistola atomizadora.



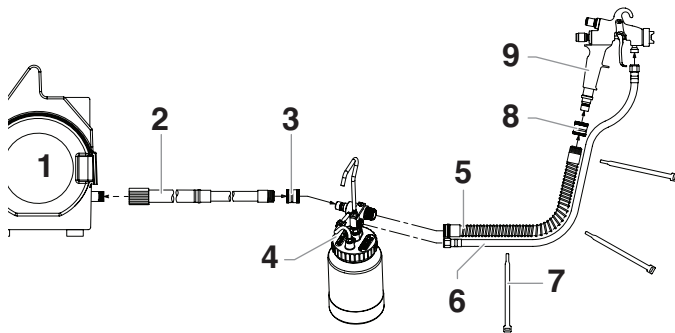
- Quite el adaptador del tubo de aire usando una llave.
- Enrosque el tornillo de ajuste en el lugar donde va el adaptador del tubo de aire y apriételo.

**OPCIONAL (válido para pasos 3 y 4):** Si lo desea, se puede utilizar una tapa temporal (también incluida) para cerrar el acoplamiento del tubo de aire en vez de llevar a cabo los pasos 3 y 4 arriba mencionados.



## Cómo conectar la pistola a un recipiente a presión de dos cuartos de galón

1. Convierta la pistola pulverizadora en un alimentador a presión.
  2. Conecte las mangueras:
    - a. Asegúrese de que la turbina esté APAGADA y desconectada.
    - b. Conecte el tanque de presión remoto a la turbina con el ajuste de manguera que se muestra a continuación.
    - c. Apriete las conexiones de las mangueras de aire con la mano.
    - d. Apriete las conexiones de la manguera de líquido con una llave ajustable.
- 1) Turbina
  - 2) Manguera de aire de 9 m
  - 3) Acoplamiento de desconexión rápida hembra\*
  - 4) Conjunto del tanque de presión de 2 cuartos de galón
  - 5) Conexión flexible para la manguera de aire de 1,5 m
  - 6) Conexión flexible para la manguera de líquido de 1,5 m
  - 7) Correas para las mangueras
  - 8) Acoplamiento de desconexión rápida hembra
  - 9) Pistola pulverizadora



## Cómo convertir la pistola en una pistola reguladora

Su pistola atomizadora HVLP se puede convertir para conectarse directamente a los sistemas de alta presión existentes con la adición de un conjunto de regulador.

1. Utilice una llave para quitar el adaptador de la entrada de aire ubicado en la parte inferior del asa de la pistola.
2. Enrosque el adaptador ubicado en el conjunto de regulador en la entrada de aire ubicada en la parte inferior del asa de la pistola y apriételo.



3. Conecte la manguera de aire del sistema de aire de alta presión existente al conjunto de regulador.
4. Ponga el indicador de presión del conjunto de regulador en el ajuste apropiado para el recubrimiento que se va a atomizar.

**NOTA:** Los obturadores de aire convencionales requieren un flujo de aire de 15 a 25 SCFM. Los obturadores de flujo bajo para poder usar la pistola reguladora con compresoras de aire más chicas. Vea **-Accesorios opcionales-** para el número de parte.

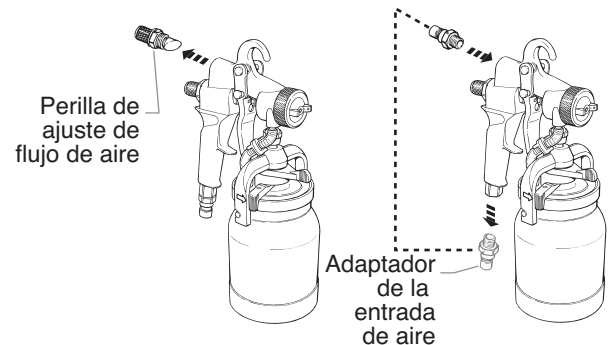
## Cómo convertir la pistola de una adaptación que no es para purga a una de purga

Su pistola atomizadora HVLP se puede convertir de una adaptación que no es para purga a una de purga.

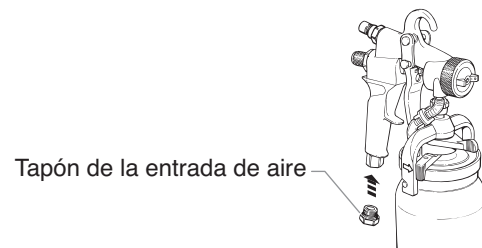
La adaptación para purga proporciona mayor potencia de atomizado para materiales de mayor viscosidad, tales como el látex y los esmaltes. La adaptación para purga puede facilitar el atomizado en lugares restringidos tales como el interior de gabinetes, ya que la manguera de aire se cambia a la parte posterior de la pistola.

**Para convertir una pistola atomizadora a adaptación para purga:**

1. Quite la perilla de ajuste de flujo de aire de la parte posterior de la pistola usando una llave.
2. Quite el adaptador de la entrada de aire de la parte inferior del asa de la pistola usando una llave.
3. Enrosque el adaptador de la entrada de aire en el lugar donde va la perilla de ajuste de flujo de aire en la parte posterior de la pistola. Apriete el adaptador en su sitio.



4. Enrosque el tapón de la entrada de aire (empacado por separado con el paquete de literatura de la pistola) en la entrada de aire ubicada en la parte del asa de la pistola. Apriete el tapón en su sitio.



5. Conecte la manguera de aire en el adaptador de la entrada ubicado en la nueva posición.

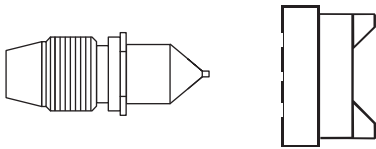
**NOTA:** En la adaptación para purga, quitar la perilla de ajuste de flujo de aire ocasiona que el suministro de aire esté encendido todo el tiempo durante el cual la manguera de aire está conectada a la pistola.

## Para escoger un equipo alargador

Su pistola atomizadora HVLP debe estar equipada con el juego de proyector apropiado para el tipo de trabajo que va a realizar.. Un equipo alargador consta de un conjunto de aguja, una boquilla de fluido y un obturador del aire.



Conjunto de aguja



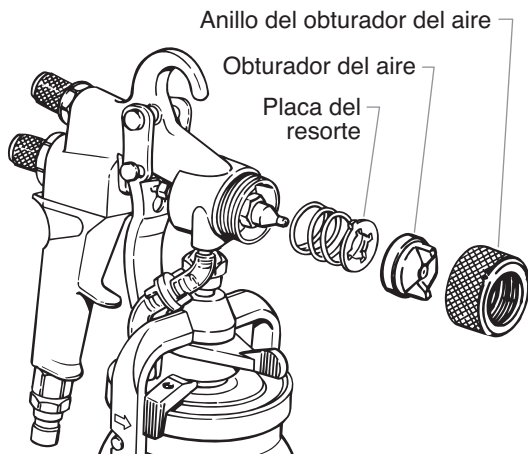
Boquilla de fluido    Obturador del aire

Debe escoger un equipo alargador basándose en dos cosas: el tipo de material que se vaya a atomizar y el acabado deseado.

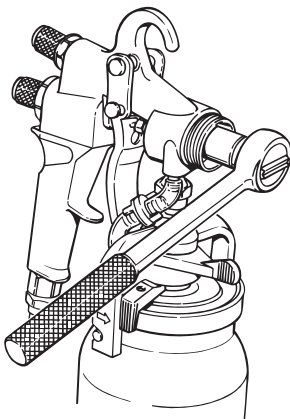
La tabla que aparece en la página siguiente le ayudará a seleccionar correctamente el juego de proyector.

## Cómo cambiar un juego de proyector

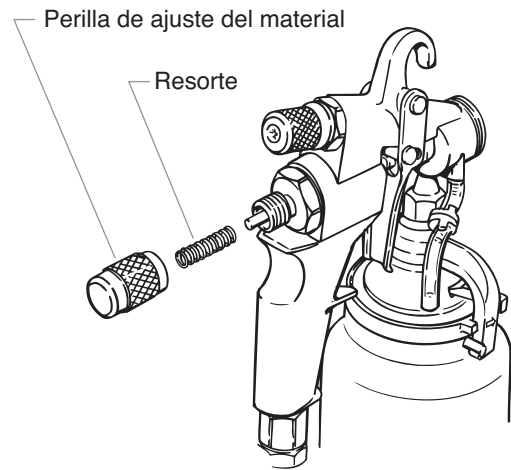
1. Quite el anillo del obturador del aire, el obturador del aire y la placa de resorte.



2. Quite la boquilla de fluido.

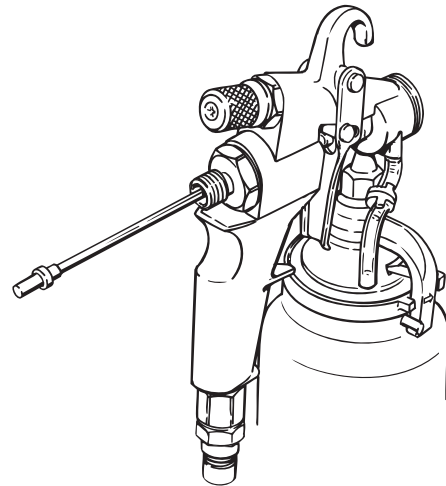


3. Quite la perilla de ajuste del material y el resorte.



4. Quite la aguja.

**IMPORTANTE:** Si la aguja no sale fácilmente, afloje la tuerca de empaquetadura para prevenir que la aguja o la empaquetadura se dañen.



5. Instale el nuevo juego de proyector en orden inverso.

## Accesorios opcionales

No de pieza	Descripción
0276254	Equipo alargador #2 completo
0276227	Equipo alargador #3 completo
0276228	Equipo alargador #4 completo
0276229	Equipo alargador #5 completo
0276245	Equipo alargador #6 completo
0524211	Equipo alargador #7 completo
0277090	Equipo alargador #2A completo, flujo bajo
0277091	Equipo alargador #3A completo, flujo bajo
0277092	Equipo alargador #4A completo, flujo bajo
0277093	Equipo alargador #5A completo, flujo bajo
0277094	Equipo alargador #6A completo, flujo bajo
0276449	Obturador del aire #2
0276452	Obturador del aire #3
0276455	Obturador del aire #4
0276458	Obturador del aire #5
0276417	Obturador del aire #6
0524410	Obturador del aire #7
0295641	Obturador del aire #2A para flujo bajo SCFM
0295642	Obturador del aire #3A para flujo bajo SCFM
0295643	Obturador del aire #4A para flujo bajo SCFM
0295644	Obturador del aire #5A para flujo bajo SCFM
0295645	Obturador del aire #6A para flujo bajo SCFM
0276446	Boquilla #2
0276451	Boquilla #3
0276454	Boquilla #4
0276457	Boquilla #5
0276418	Boquilla #6
0524363	Boquilla #7
0276447	Conjunto de aguja #2
0276453	Conjunto de aguja #3
0276456	Conjunto de aguja #4
0276459	Conjunto de aguja #5
0276244	Conjunto de aguja #6
0524210	Conjunto de aguja #7
0508124	Cubierta, sujeta a presión, 1 cuarto de galón
0279942	Juego de accesorios para la boquilla
0279941	Juego de accesorios de lujo para la

**NOTA:** Los conjuntos de proyección y los tapones de aire de “bajo flujo de aire” son adecuados para las compresoras de pocos CFM.

## Juegos para reparar

No de pieza	Descripción
0297051	Juego para reparar la válvula de retención (incluye 3 conjuntos)
0276257	Juego de membrana de válvula de retención (incluye 10 membranas)
0297052	Empaque, depósito, blanco (incluye 6 empaques)
0276258	Empaque, depósito, Thiokol negro (incluye 6 empaques)
0277943	Juego para reparar de pistola atomizadora HVLP
Incluye:	<ul style="list-style-type: none"> <li>• sello delantero de la válvula de aire</li> <li>• sello posterior de la válvula de aire</li> <li>• empaque de la aguja</li> <li>• junta de anillo de válvula de flujo de aire (2)</li> <li>• válvula de retención</li> <li>• tubo corto de la válvula de retención</li> <li>• tubo largo de la válvula de retención</li> <li>• empaque del depósito</li> </ul>

## Tabla de reducción de material y de juego de proyector

Antes de atomizar, el material que se va a utilizar debe adelgazarse con el solvente apropiado y se debe instalar el juego de proyector adecuado. Siempre es mejor seguir las recomendaciones y procedimientos para adelgazar proporcionados por el fabricante del material.

Existen dos sencillos métodos para medir el espesor de un material:

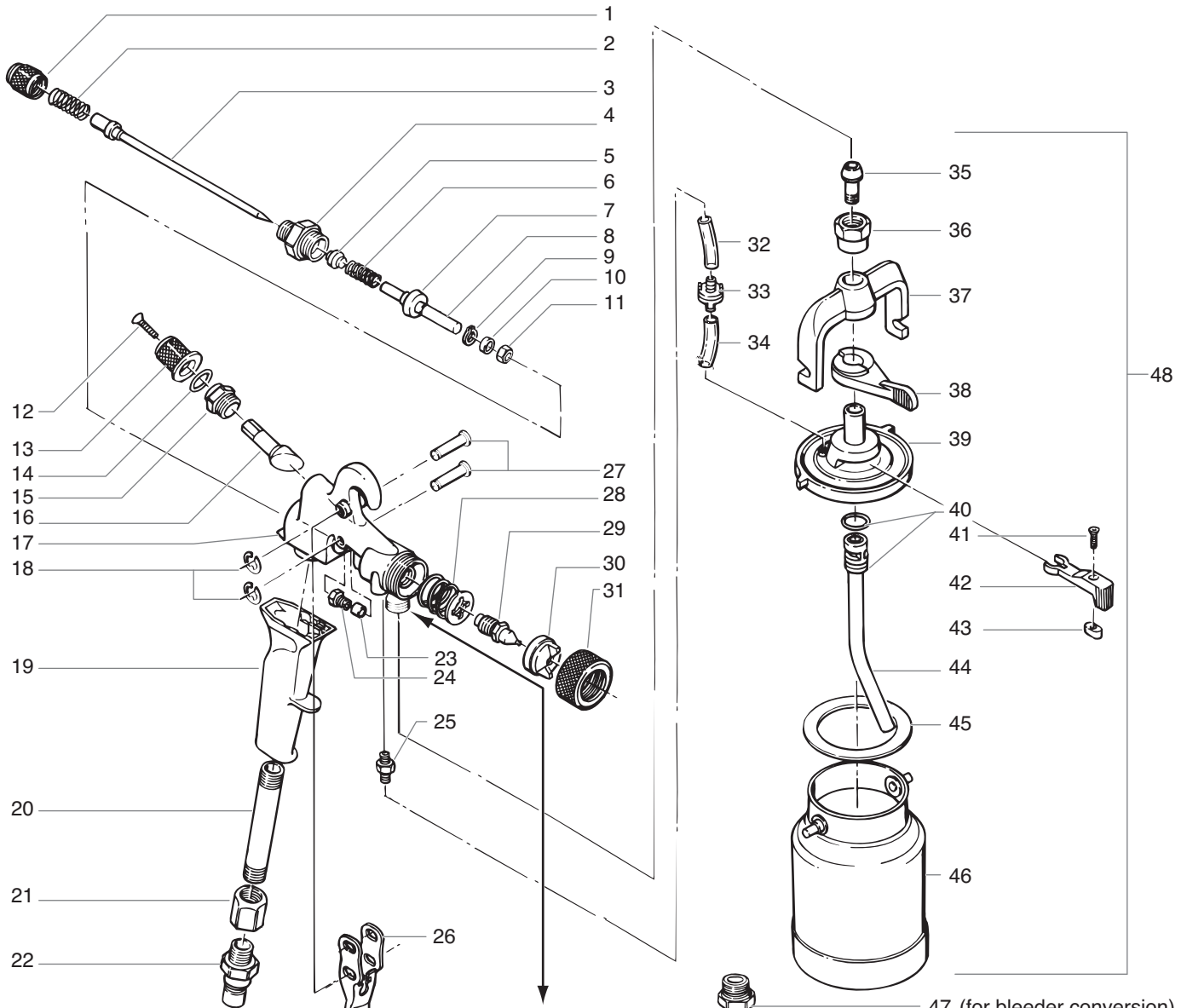
1. Sumerja un palo para pintura en el material y sáquelo, observando minuciosamente cómo se escurre el material. Cuando el material empiece a formar gotas, las gotas deben caer en intervalos de 1 segundo.
2. Utilice un depósito de viscosidad (N/P 0153165). Sumerja el depósito en el material y sáquelo. Utilice un reloj o cronómetro para medir el tiempo durante el cual el material se escurre del depósito con un flujo continuo. Cuando el material deje de fluir continuamente, detenga el reloj y consulte la tabla de abajo. Añada el solvente apropiado y continúe probando hasta obtener el espesor apropiado para el tipo de material que está utilizando.

Material	% de reducción	Tiempo	Solvente	Equipo alargador
Látex	20-25%	30-35 seg.	Agua	5
Aceite	10-20%	20-30 seg.	Solventes derivados del petróleo	4
Epoxi	1-10%	30-35 seg.	Recomendaciones del fabricante	5
Acabado para madera claro	Sin diluir		Recomendaciones del fabricante	4
Barniz	Recomendaciones del fabricante		Nafta	3
Poliuretano	10%	18-22 seg.	Metiletilcetona	3
Sellador	Sin diluir		Solventes derivados del petróleo	3
Imprimador a base de aceite	15-20%	30-35 seg.	Solventes derivados del petróleo	4
Esmalte de secado rápido	25%	20-25 seg.	Solventes derivados del petróleo	4
Tinte	Sin diluir		Recomendaciones del fabricante	3
Imprimador para metales	15%	25-30 seg.	Solventes derivados del petróleo	4
Esmalte industrial	15%	30-35 seg.	Solventes derivados del petróleo	4
Pintura de aluminio	Sin diluir		Solventes derivados del petróleo	4
Sellador de laca	Recomendaciones del fabricante	18-22 seg.	Diluyente de laca	3
Laca	50%	18-22 seg.	Diluyente de laca	3

## Detección de problemas

Problema	Causa	Solución
A. Flujo de pintura pequeño o no flujo	<ol style="list-style-type: none"> <li>1. Pintura seca que bloquea la boquilla de fluido</li> <li>2. No hay presión de aire en el depósito o recipiente de pintura</li> <li>3. La válvula de retención del tubo de aire está tapada</li> <li>4. No hay presión de fluido</li> <li>5. Bloqueo en la manguera del material</li> </ol>	<ol style="list-style-type: none"> <li>1. Desensamble y limpie</li> <li>2. Inspeccione el tubo del aire, el empaque del depósito o recipiente y límpielos o cámbielos</li> <li>3. Limpie o cambie el conjunto de válvula de retención</li> <li>4. Revise el suministro de material</li> <li>5. Límpiela enjuagándola con solvente</li> </ol>
B. La pintura se fuga	<ol style="list-style-type: none"> <li>1. Aguja o boquilla de tamaño inapropiado</li> <li>2. Aguja o boquilla dañada</li> <li>3. Boquilla floja</li> <li>4. Tuerca de empaquetadura, floja</li> <li>5. La aguja no cierra debidamente</li> </ol>	<ol style="list-style-type: none"> <li>1. Cámbiela</li> <li>2. Cámbiela</li> <li>3. Apriétela</li> <li>4. Apriétela</li> <li>5. a) Afloje la tuerca de empaquetadura b) Cambie el resorte de la aguja c) Quite la pintura seca de la aguja</li> </ol>
C. La pintura regresa y atraviesa la válvula de retención	<ol style="list-style-type: none"> <li>1. La pistola se está inclinando demasiado cuando no se atomiza</li> <li>2. La válvula de retención tiene fuga</li> </ol>	<ol style="list-style-type: none"> <li>1. Incline la pistola sólo cuando atomice</li> <li>2. Limpie o cambie la válvula de retención</li> </ol>
D. Patrón de atomización deficiente	<ol style="list-style-type: none"> <li>1. Los agujeros de las orejetas del obturador del aire están tapados</li> <li>2. La boquilla está tapada</li> <li>3. Aguja o boquilla dañada</li> </ol>	<ol style="list-style-type: none"> <li>1. Quítelo y limpie los agujeros del aire</li> <li>2. Límpiela con el solvente apropiado</li> <li>3. Quítela y cámbiela</li> </ol>
E. Atomización trepidante	<ol style="list-style-type: none"> <li>1. Empaquetadura floja o dañada</li> </ol>	<ol style="list-style-type: none"> <li>1. Apriétela o cámbiela</li> </ol>
F. El patrón es denso en el centro	<ol style="list-style-type: none"> <li>1. Demasiada presión de fluido</li> </ol>	<ol style="list-style-type: none"> <li>1. Reduzca la presión</li> </ol>
G. La pistola escupe pintura	<ol style="list-style-type: none"> <li>1. La válvula del tubo del aire no funciona apropiadamente</li> <li>2. Material demasiado espeso</li> <li>3. El juego de proyector es muy chico</li> </ol>	<ol style="list-style-type: none"> <li>1. Cambie el conjunto de la válvula</li> <li>2. Diluya el material</li> <li>3. Instale el juego de proyector adecuado</li> </ol>
H. Acumulación de pintura en el obturador del aire	<ol style="list-style-type: none"> <li>1. Ajuste inapropiado del obturador</li> </ol>	<ol style="list-style-type: none"> <li>1. Ajuste correctamente el obturador de aire de modo que la pintura fluya libremente a través del obturador</li> </ol>
I. Se atomiza demasiado	<ol style="list-style-type: none"> <li>1. Presión de aire demasiado alta</li> <li>2. Material demasiado delgado</li> <li>3. La pistola de atomización está demasiado retirada de la superficie</li> </ol>	<ol style="list-style-type: none"> <li>1. Reduzca la presión de aire</li> <li>2. Añada pintura sin diluir</li> <li>3. Acérquela</li> </ol>

**Turbine Cup Gun Parts List / Liste de pièces pour pistolet à godet et turbine /  
Lista de partes de la pistola atomizadora de turbina (0277034)**



**IMPORTANT:** Any attempt to remove this fitting will result in damage to the gun body and void the warranty. Fitting is included with body assembly.

**IMPORTANT :** Toute tentative de démontage de ce raccord endommage le corps de pistolet et annule la garantie. Le raccord est compris dans l'ensemble du corps.

**IMPORTANTE:** Cualquier intento de quitar este adaptador ocasionará que el cuerpo de la pistola se dañe y la garantía perderá su validez. El adaptador está incluido con el conjunto del cuerpo.

47 (for bleeder conversion)  
(Pour transformer le pistolet en dispositif purgeur)  
(para conversión con purgador)

**NOTE:** The swivel lever screw (41) and the swivel lever (42) must be removed before the swivel tube (44) can be disassembled from the lid.

**NOTA:** la vis du levier orientable (41) et le levier orientable (42) doivent être démontés avant que le tube orientable (44) ne puisse être démonté du couvercle.

**NOTA:** El tornillo de la palanca giratoria (41) y la palanca giratoria (42) debe quitarse antes de poder desarmar el tubo giratorio (44) de la tapa.

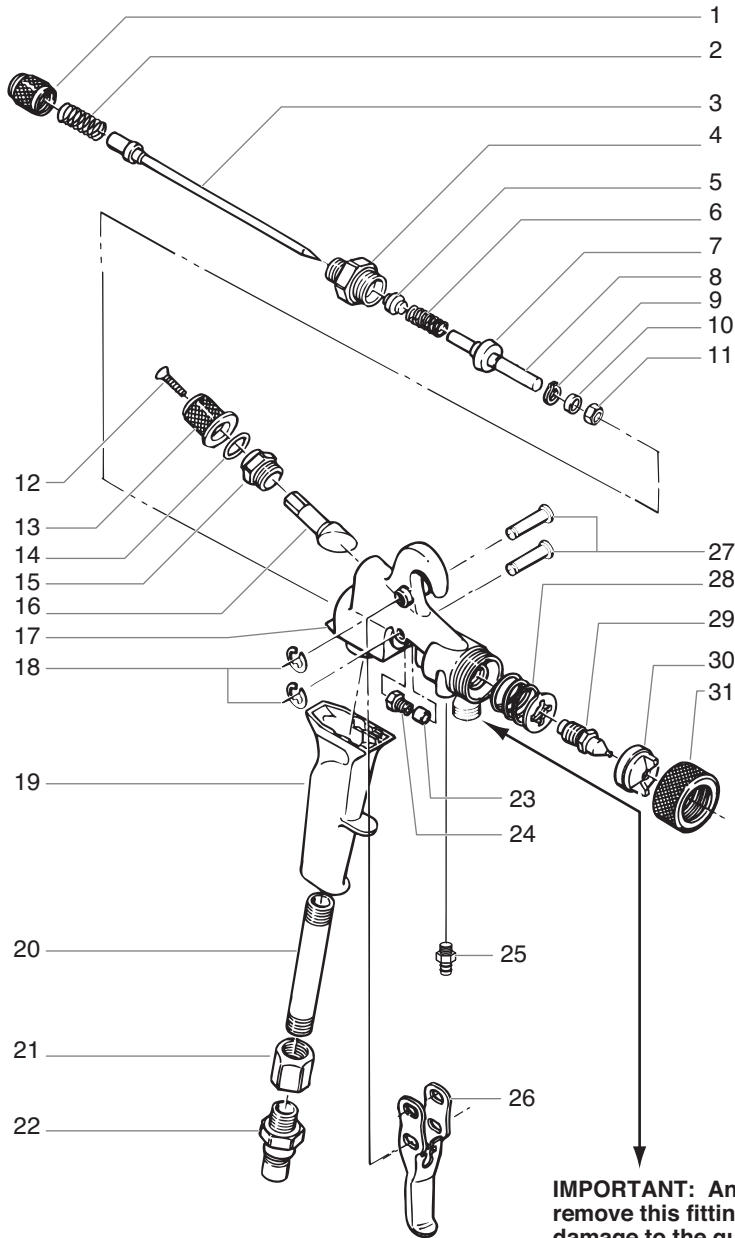


Item Article Artículo	Part No. N° de pièce Pieza No.	English Description	Français Description	Español Descripción	Quantity Quantite Cantidad
1	0277502	Material flow adjustment knob	Bouton de réglage de débit de produit	Perilla ajustadora del flujo de material	1
2	0295575	Needle spring	Ressort de pointeau	Resorte de la aguja	1
3	0276453	Needle assembly #3	Pointeau no 3	Conjunto de aguja #3	1
4	0277975	Material flow adjustment housing	Bouchon de réglage du débit de produit	Cubierta del ajuste de flujo de material	1
5	0275501	Rear air valve seal	Joint arrière de soupape de régulation d'air	Sello posterior de la válvula de aire	1
6	0275578	Air valve spring	Ressort de soupape de régulation d'air	Resorte de la válvula de aire	1
7	0277486	Air valve seal	Joint de soupape de régulation d'air	Sello de la válvula de aire	1
8	0277536	Threaded air valve	Soupape de régulation d'air filetée	Válvula de aire roscada	1
9	0277489	Air valve snap ring	Circlips de soupape de régulation d'air	Aro de resorte de la válvula de aire	1
10	0277488	Front air valve seal (included in body assembly)	Joint avant de soupape de régulation d'air (compris dans l'ensemble du corps)	Sello delantero de la válvula de aire (incluida en el conjunto de cuerpo)	1
11	9811119	Locking nut	Écrou de retenue	Tuerca de retención	1
12	9805205	Screw	Vis	Tornillo	1
13	0277491	Air flow adjustment knob	Bouton de réglage de débit d'air	Perilla de ajuste de flujo de aire	1
14	9894242	Wave spring washer	Rondelle ressort ondulée	Arandela de resorte de onda	1
15	0277498	Air flow valve nut	Écrou de soupape de régulation d'air	Tuerca de la válvula de control del aire	1
16	0277493	Air flow valve	Soupape de régulation d'air	Válvula de flujo de aire	1
17	0277185	Body assembly	Corps	Conjunto del cuerpo	1
18	0277515	Retaining clip	Agrafes de retenue	Abrazadera de retención	2
19	0524953	Handle	Poignée	Manubrio	1
20	0277481	Handle tube	Tube de poignée	Tubo del asa	1
21	0277480	Handle tube nut	Écrou de tube de poignée	Tuerca del tubo del asa	1
22	0275481	Quick disconnect fitting	Raccord rapide	Adaptador de desconexión rápida	1
23	0275579	Needle packing	Garniture de pointeau	Empaque de la aguja	1
24	0277508	Needle packing adjustment nut	Écrou presse-garniture de pointeau	Tuerca de ajuste del empaque de la aguja	1
25	0277505	Air tube fitting	Raccord tube d'air	Adaptador del tubo de aire	1
26	0277468	Trigger	Détente	Gatillo	1
27	0277514	Trigger pin	Goupilles de détente	Pasador del gatillo	2
28	0275250	Spring plate assembly	Coupelle de ressort	Placa de resorte	1
29	0276451	Air nozzle #3	Buse d'air no 3	Boquilla de aire #3	1
30	0276452	Air cap #3	Bouchon d'air no 3	Obturador del aire #3	1
31	0277507	Air cap ring	Bague de fixation du bouchon d'air	Anillo del obturador del aire	1
32	0277482	Air tube	Tube d'air	Tubo del aire	1
33	0276248	Check valve assembly	Ensemble clapet anti-retour	Válvula de retención	1
34	0277483	Long check valve tube	Tube long de clapet anti-retour	Tubo largo de la válvula de retención	1
35	0277509	Fitting	Raccord	Adaptador	1
36	0277511	Nut	Écrou	Tuerca	1
37	0277451	Bridge	Couronne	Puente	1
38	0277467	Cup locking lever	Levier de blocage du godet	Palanca bloqueadora del depósito	1
39	0277460	Lid	Couvercle	Tapa	1
40	9871049	O-ring	Joint torique	Junta de anillo	2
41	9805206	Screw	Vis	Tornillo	2
42	0277448	Swivel lever	Levier d'orientation	Palanca giratoria	1
43	0277449	Guide	Guide	Guía	1
44	0277178	Tube	Tube	Tubo	1
45	0277495	Cup gasket	Joint d'étanchéité du godet	Empaque del depósito	1
46	0275573	Cup	Godet	Depósito	1
47	0277974	Plug (shipped loose)	Obturateur (pièce fournie non installée)	Tapón (empacado suelto)	1
48	0277183	Cup assembly (includes items #32-#46)	Ensemble godet (articles nos 32 à 46)	Conjunto del depósito (incluye los artículos #32 - #46)	1

# Turbine Pressure Feed Gun Parts List /

## Liste de pièces pistolet à turbine à alimentation sous pression /

### Lista de partes de la pistola atomizadora de turbina alimentada a presión (0277057)



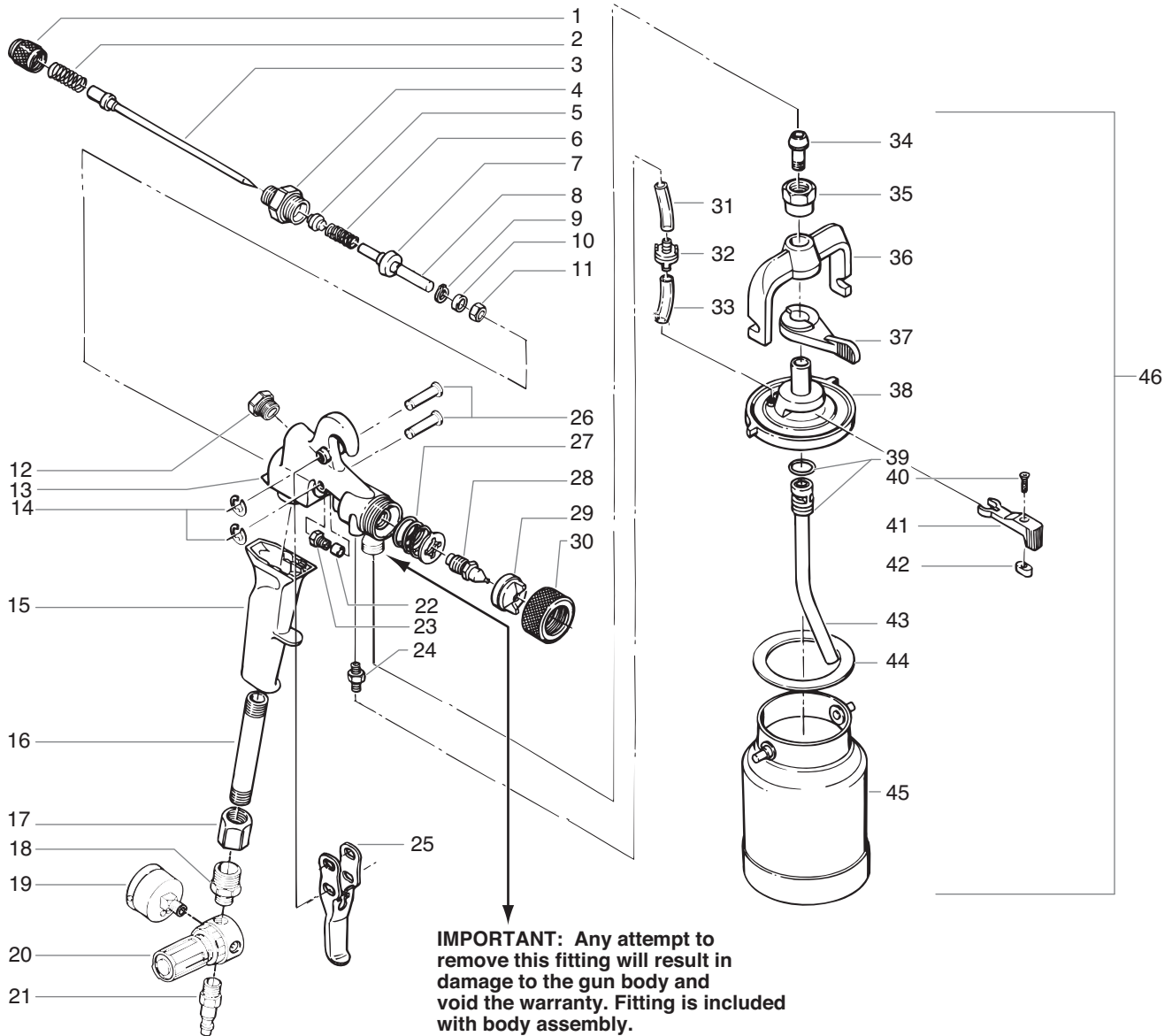
**IMPORTANT:** Any attempt to remove this fitting will result in damage to the gun body and void the warranty. Fitting is included with body assembly.

**IMPORTANT :** Toute tentative de démontage de ce raccord endommage le corps de pistolet et annule la garantie. Le raccord est compris dans l'ensemble du corps.

**IMPORTANTE:** Cualquier intento de quitar este adaptador ocasionará que el cuerpo de la pistola se dañe y la garantía perderá su validez. El adaptador está incluido con el conjunto del cuerpo.

Item Article Artículo	Part No. N° de pièce Pieza No.	English Description	Français Description	Español Descripción	Quantity Quantite Cantidad
1	0277502	Material flow adjustment knob	Bouton de réglage de débit de produit	Perilla ajustadora del flujo de material	1
2	0295575	Needle spring	Ressort de pointeau	Resorte de la aguja	1
3	0276453	Needle assembly #3	Pointeau no 3	Conjunto de aguja #3	1
4	0277975	Material flow adjustment housing	Bouchon de réglage du débit de produit	Cubierta del ajuste de flujo de material	1
5	0275501	Rear air valve seal	Joint arrière de soupape de régulation d'air	Sello posterior de la válvula de aire	1
6	0275578	Air valve spring	Ressort de soupape de régulation d'air	Resorte de la válvula de aire	1
7	0277486	Air valve seal	Joint de soupape de régulation d'air	Sello de la válvula de aire	1
8	0277536	Threaded air valve	Soupape de régulation d'air filetée	Válvula de aire roscada	1
9	0277489	Air valve snap ring	Circlips de soupape de régulation d'air	Aro de resorte de la válvula de aire	1
10	0277488	Front air valve seal (included in body assembly)	Joint avant de soupape de régulation d'air (compris dans l'ensemble du corps)	Sello delantero de la válvula de aire (incluida en el conjunto de cuerpo)	1
11	9811119	Locking nut	Écrou de retenue	Tuerca de retención	1
12	9805205	Screw	Vis	Tornillo	1
13	0277491	Air flow adjustment knob	Bouton de réglage de débit d'air	Perilla de ajuste de flujo de aire	1
14	9894242	Wave spring washer	Rondelle ressort ondulée	Arandela de resorte de onda	1
15	0277498	Air flow valve nut	Écrou de soupape de régulation d'air	Tuerca de la válvula de control del aire	1
16	0277493	Air flow valve	Soupape de régulation d'air	Válvula de flujo de aire	1
17	0277185	Body assembly	Corps	Conjunto del cuerpo	1
18	0277515	Retaining ring	Agrafes de retenue	Abrazadera de retención	2
19	0524953	Handle	Poignée	Manubrio	1
20	0277481	Handle tube	Tube de poignée	Tubo del asa	1
21	0277480	Handle tube nut	Écrou de tube de poignée	Tuerca del tubo del asa	1
22	0275481	Quick disconnect fitting	Raccord rapide	Adaptador de desconexión rápida	1
23	0275579	Needle packing	Garniture de pointeau	Empaque de la aguja	1
24	0277508	Needle packing adjustment nut	Écrou presse-garniture de pointeau	Tuerca de ajuste del empaque de la aguja	1
25	0277505	Air tube fitting	Raccord tube d'air	Adaptador del tubo de aire	1
26	0277468	Trigger	Détente	Gatillo	1
27	0277514	Trigger pin	Goupilles de détente	Pasador del gatillo	2
28	0275250	Spring plate assembly	Coupelle de ressort	Placa de resorte	1
29	0276451	Air nozzle #3	Buse d'air no 3	Boquilla de aire #3	1
30	0276452	Air cap #3	Bouchon d'air no 3	Obturador del aire #3	1
31	0277507	Air cap ring	Bague de fixation du bouchon d'air	Anillo del obturador del aire	1

**Regulator Cup Gun Parts List / Liste de pièces pistolet à godet et régulateur /  
Lista de partes de la pistola atomizadora reguladora (0277076)**



**IMPORTANT:** Any attempt to remove this fitting will result in damage to the gun body and void the warranty. Fitting is included with body assembly.

**IMPORTANT :** Toute tentative de démontage de ce raccord endommage le corps de pistolet et annule la garantie. Le raccord est compris dans l'ensemble du corps.

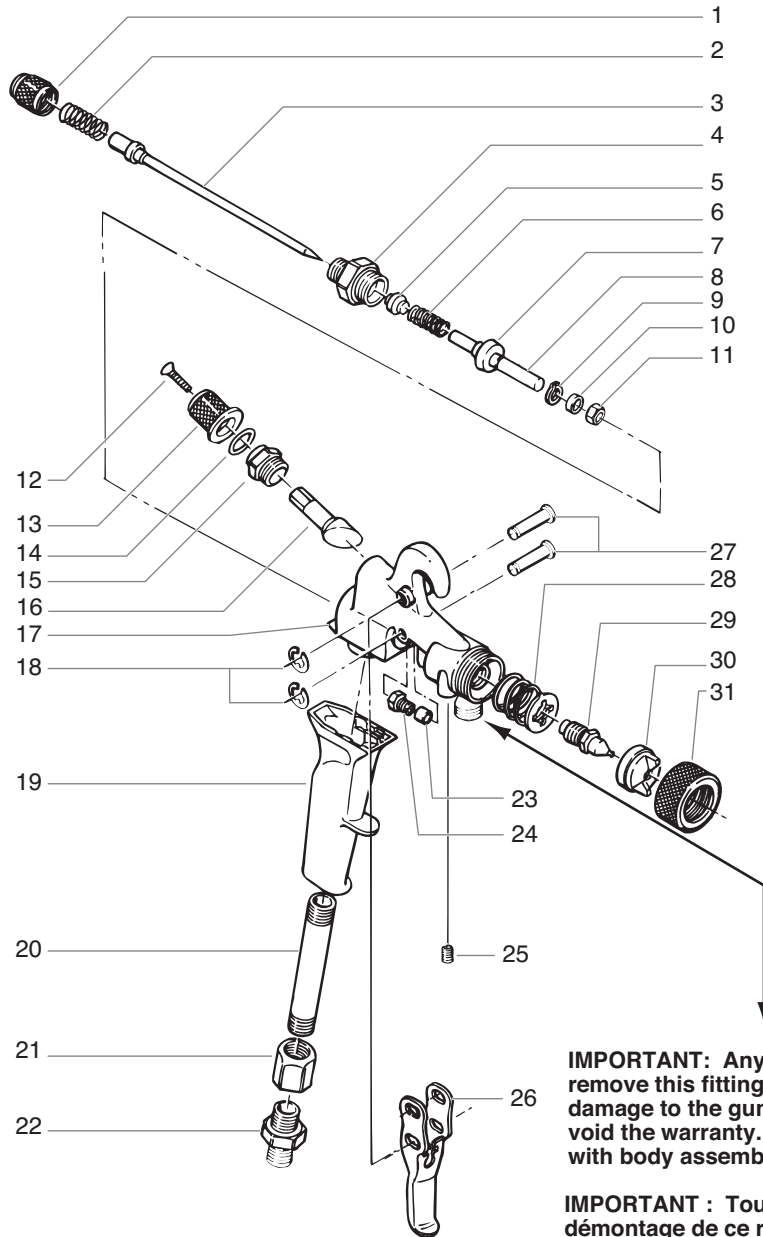
**IMPORTANTE:** Cualquier intento de quitar este adaptador ocasionará que el cuerpo de la pistola se dañe y la garantía perderá su validez. El adaptador está incluido con el conjunto del cuerpo.

Item Article Artículo	Part No. N° de pièce Pieza No.	English Description	Français Description	Español Descripción	Quantity Quantite Cantidad
1	0277502	Material flow adjustment knob	Material flow adjustment knob	Perilla ajustadora del flujo de material	1
2	0295575	Needle spring	Ressort	Resorte de la aguja	1
3	0276453	Needle assembly #3	Pointeau no 3	Conjunto de aguja #3	1
4	0277975	Material flow adjustment housing	Bouchon de réglage du débit de produit	Cubierta del ajuste de flujo de material	1
5	0275501	Rear air valve seal	Joint arrière de soupape de régulation d'air	Sello posterior de la válvula de aire	1
6	0275578	Air valve spring	Ressort de soupape de régulation d'air	Resorte de la válvula de aire	1
7	0277486	Air valve seal	Joint de soupape de régulation d'air	Sello de la válvula de aire	1
8	0277536	Thread air valve	Soupape de régulation d'air filetée	Válvula de aire roscada	1
9	0277489	Air valve snap ring	Circlips de soupape de régulation d'air	Aro de resorte de la válvula de aire	1
10	0277488	Front air valve seal (included in body assembly)	Joint avant de soupape de régulation d'air (compris dans l'ensemble du corps)	Sello delantero de la válvula de aire (incluida en el conjunto de cuerpo)	1
11	9811119	Locking nut	Écrou de retenue	Tuerca de retención	1
12	0277974	Plug	Obturateur	Tapón	1
13	0277185	Body assembly	Corps	Conjunto del cuerpo	1
14	0277515	Retaining clip	Agrafes de retenue	Abrazadera de retención	2
15	0524953	Handle	Poignée	Manubrio	1
16	0277481	Handle tube	Tube de poignée	Tubo del asa	1
17	0277480	Handle tube nut	Écrou de tube de poignée	Tuerca del tubo del asa	1
18	0276424	Fitting	Raccord	Adaptador	1
19	0276538	Gauge	Manomètre	Indicador de presión	1
20	0276423	Regulator	Régulateur	Regulador	1
21	0275696	Nipple, 1/4"	Raccord, 1/4"	Unión, 1/4"	1
22	0275579	Needle packing	Garniture de pointeau	Empaque de la aguja	1
23	0277508	Needle packing adjustment nut	Écrou presse-garniture de pointe	Tuerca de ajuste del empaque de la aguja	1
24	0277505	Air tube fitting	Raccord tube d'air	Adaptador del tubo de aire	1
25	0277468	Trigger	Détente	Gatillo	1
26	0277514	Trigger pin	Goupilles de détente	Pasador del gatillo	2
27	0275250	Spring plate assembly	Coupelle de ressort	Placa de resorte	1
28	0276451	Air nozzle #3	Buse d'air no 3	Boquilla de aire #3	1
29	0276452	Air cap #3	Bouchon d'air no 3	Obturador del aire #3	1
30	0277507	Air cap ring	Bague de fixation du bouchon d'air	Anillo del obturador del aire	1
31	0277482	Air tube	Tube d'air	Tubo del aire	1
32	0276248	Check valve assembly	Ensemble clapet anti-retour	Conjunto de válvula de retención	1
33	0277483	Long check valve tube	Tube long de clapet anti-retour	Tubo largo de la válvula de retención	1
34	0277509	Fitting	Raccord	Adaptador	1
35	0277511	Nut	Écrou	Tuerca	1
36	0277451	Bridge	Couronne	Puente	1
37	0277467	Cup locking lever	Levier de blocage du godet	Palanca bloqueadora del depósito	1
38	0277460	Lid	Couvercle	Tapa	1
39	9871049	O-ring	Joint torique	Junta de anillo	2
40	9805206	Screw	Vis	Tornillo	1
41	0277448	Swivel lever	Levier d'orientation	Palanca giratoria	1
42	0277449	Guide	Guide	Guía	1
43	0277178	Tube	Tube	Tubo	1
44	0277495	Cup gasket	Joint d'étanchéité du godet	Empaque del depósito	1
45	0275573	Cup	Godet	Depósito	1
46	0277183	Cup assembly (includes items #31-#45)	Ensemble godet (articles nos 31 à 45)	Conjunto del depósito (incluye los artículos #31 - #45)	1

# Compressor Pressure Feed Gun Parts List /

Liste de pièces pistolet à compresseur à alimentation sous pression /

Lista de partes de la pistola atomizadora de compresora alimentada a presión  
(0277088)



**IMPORTANT:** Any attempt to remove this fitting will result in damage to the gun body and void the warranty. Fitting is included with body assembly.

**IMPORTANT :** Toute tentative de démontage de ce raccord endommage le corps de pistolet et annule la garantie. Le raccord est compris dans l'ensemble du corps.

**IMPORTANTE:** Cualquier intento de quitar este adaptador ocasionará que el cuerpo de la pistola se dañe y la garantía perderá su validez. El adaptador está incluido con el conjunto del cuerpo.

Item Article Artículo	Part No. N° de pièce Pieza No.	English Description	Français Description	Español Descripción	Quantity Quantite Cantidad
1	0277502	Material flow adjustment knob	Bouton de réglage de débit de produit	Perilla ajustadora del flujo de material	1
2	0295575	Needle spring	Ressort de pointeau	Resorte de la aguja	1
3	0276453	Needle assembly #3	Pointeau no 3	Conjunto de aguja #3	1
4	0277975	Material flow adjustment housing	Bouchon de réglage du débit de produit	Cubierta del ajuste de flujo de material	1
5	0275501	Rear air valve seal	Joint arrière de soupape de régulation d'air	Sello posterior de la válvula de aire	1
6	0275578	Air valve spring	Ressort de soupape de régulation d'air	Resorte de la válvula de aire	1
7	0277486	Air valve seal	Joint de soupape de régulation d'air	Sello de la válvula de aire	1
8	0277536	Threaded air valve	Soupape de régulation d'air filetée	Válvula de aire roscada	1
9	0277489	Air valve snap ring	Circlips de soupape de régulation d'air	Aro de resorte de la válvula de aire	1
10	0277488	Front air valve seal (included in body assembly)	Joint avant de soupape de régulation d'air (compris dans l'ensemble du corps)1	Sello delantero de la válvula de aire (incluida en el conjunto de cuerpo)	1
11	9811119	Locking nut	Écrou de retenue	Tuerca de retención	1
12	9805205	Screw	Vis	Tornillo	1
13	0277491	Air flow adjustment knob	Bouton de réglage de débit d'air	Perilla de ajuste de flujo de aire	1
14	9894242	Wave spring washer	Rondelle ressort ondulée	Arandela de resorte de onda	1
15	0277498	Air flow valve nut	Écrou de soupape de régulation d'air	Tuerca de la válvula de control del aire	1
16	0277493	Air flow valve	Soupape de régulation d'air	Válvula de flujo de aire	1
17	0277185	Body assembly	Corps	Conjunto del cuerpo	1
18	0277515	Retaining ring	Agrafes de retenue	Abrazadera de retención	2
19	0524953	Handle	Poignée	Manubrio	1
20	0277481	Handle tube	Tube de poignée	Tubo del asa	1
21	0277480	Handle tube nut	Écrou de tube de poignée	Tuerca del tubo del asa	1
22	0276424	Fitting	Raccord	Adaptador	1
23	0275579	Needle packing	Garniture de pointeau	Empaque de la aguja	1
24	0277508	Needle packing adjustment nut	Écrou presse-garniture de pointeau	Tuerca de ajuste del empaque de la aguja	1
25	0275574	Set screw	Vis de montage	Tornillo de ajuste	1
26	0277468	Trigger	Détente	Gatillo	1
27	0277514	Trigger pin	Goupilles de détente	Pasador del gatillo	2
28	0275250	Spring plate assembly	Coupelle de ressort	Placa de resorte	1
29	0276451	Air nozzle #3	Buse d'air no 3	Boquilla de aire #3	1
30	0295642	Air cap #3A	Bouchon d'air no 3A	Obturador del aire #3	1
31	0277507	Air cap ring	Bague de fixation du bouchon d'air	Anillo del obturador del aire	1

## **Garantie Limitée – Équipement pulvérisateur à volume élevé et à basse pression**

### **Ce qui est couvert par la présente garantie :**

Ce produit, fabriqué par Titan, est garanti contre tout vice de matières et toute malfaçon pendant un (1) an suivant la date d'achat, lorsqu'il est utilisé conformément aux recommandations et directives imprimées de Titan.

Pendant la période de la dite garantie, Titan réparera ou remplacera, à son choix, les pièces défectueuses sans frais si ces dernières sont envoyées, port payé, au centre d'entretien autorisé le plus près, ou directement chez elle, au 1770 Fernbrook Lane, Minneapolis, MN 55447 (É.-U.). Si Titan ne peut, après un nombre raisonnable de tentatives, réparer le produit de manière à ce qu'il soit conforme à la présente garantie limitée, elle devra, à son choix, remplacer le produit ou en rembourser le prix d'achat. Seuls les recours exclusifs qui précèdent sont offerts en cas de violation des garanties expresses et implicites.

### **Ce qui n'est pas couvert par la présente garantie :**

1. La présente garantie ne couvre pas les défauts ou dommages entraînés par :
  - a) l'utilisation ou l'installation de pièces ou d'accessoires de rechange ou de réparation n'étant pas fabriqués par Titan;
  - b) les réparations effectuées par qui que ce soit d'autre qu'un centre d'entretien autorisé par Titan.
2. La présente garantie ne couvre pas l'équipement et les accessoires fournis à Titan par un fabricant de matériel original (OEM) incluant, sans toutefois s'y limiter, les tuyaux flexibles et les embouts. Titan fournira à l'acheteur un exemplaire des garanties expresses offertes par le fabricant, de même que le nom et l'adresse de ce dernier.
3. La présente garantie ne couvre pas les défauts ou les dommages découlant de l'abrasion, de la corrosion, de l'usage abusif, de l'emploi incorrect, de négligence, d'accidents, de l'usure normale, d'une installation fautive ou d'une intervention non autorisée susceptible de nuire au fonctionnement normal de l'équipement.

### **Limitation des recours :**

Titan NE PEUT EN AUCUN CAS ÊTRE TENUE RESPONSABLE DE TOUT DOMMAGE OU DE TOUTE PERTE DE NATURE INDIRECTE, SPÉCIALE OU CONSÉCUTIVE, INCLUANT LES FRAIS DE TRANSPORT, QUE CES PERTES OU DOMMAGES SOIENT FONDÉS SUR UNE VIOLATION DES GARANTIES EXPRESSES ET IMPLICITES, UNE RUPTURE DE CONTRAT, DE LA NÉGLIGENCE, UN DÉLIT CIVIL OU TOUTE AUTRE THÉORIE JURIDIQUE.

### **Stipulation d'exonération de garanties implicites :**

LES GARANTIES PRÉCÉDENTES REMPLACENT TOUTE AUTRE GARANTIE, EXPRESSE OU IMPLICITE, INCLUANT, SANS TOUTEFOIS S'Y LIMITER, LES GARANTIES IMPLICITE DE VENDABILITÉ ET DE CONVENANCE À UNE DESTINATION PARTICULIÈRE.

### **Aucune possibilité de transfert :**

La présente garantie est offerte à L'acheteur original seulement et n'est pas transférable.

### **Droits en vertu de lois locales :**

Certains états ou provinces ne permettant pas la limitation de la durée de garanties implicites ou l'exclusion de dommages indirects ou consécutifs, les limitations et exclusions ci-dessus pourraient ne pas s'appliquer à l'acheteur. Si la présente garantie lui accorde des droits particuliers, l'acheteur pourrait en disposer d'autres en vertu de lois variant entre provinces et états.



## Garantía Limitada — Equipo de atomización de alto volumen y baja presión

### Lo que está cubierto por esta garantía:

Este producto, fabricado por Titan, está garantizado por un (1) año a partir de la fecha de compra, contra los defectos de material y mano de obra que haya cuando se utilice de acuerdo con las recomendaciones e instrucciones impresas de Titan.

Dentro del período de garantía con validez, Titan reparará o reemplazará, a opción nuestra y sin cargo, las piezas defectuosas si dichas piezas se devuelven, con el costo de transportación pagado de antemano, al Centro de Servicio Autorizado más cercano o a Titan Corporation, 1770 Fernbrook Lane, Minneapolis, MN 55447. Si Titan es incapaz de reparar este producto conforme se establece en esta Garantía Limitada después de un número razonable de intentos, Titan proporcionará, a opción nuestra, ya sea un repuesto de este producto o bien el reembolso total del precio de compra de este producto. Estos remedios son los únicos y exclusivos remedios de que se dispone cuando se violen las garantías expresas o implícitas.

### Lo que no está cubierto por esta garantía:

1. Esta garantía no cubre ningún defecto o daño que haya surgido a causa de:
  - a) usar o instalar piezas de reparación o reemplazo o accesorios que no haya fabricado Titan, o
  - b) una reparación realizada por alguien que no pertenezca al Centro de Servicio Autorizado de Titan.
2. La garantía no cubre el equipo ni los accesorios que se le hayan suministrado a Titan a través de un fabricante de equipo original, que incluyen sin quedar limitados a ser sólo estos: mangueras, boquillas o accesorios. Titan le proporcionará al comprador copias de las garantías expresas del fabricante del equipo que se le hayan proporcionado, junto con el nombre y dirección del fabricante apropiado.
3. Esta garantía no cubre los daños ni defectos que hayan sido causados por la abrasión, corrosión, abuso, uso erróneo, negligencia, accidentes, desgaste normal, una instalación defectuosa o una alteración por la que se impida el funcionamiento normal, o que tengan relación con éstos.

### Limitación de remedios:

Titan NO SE HARÁ RESPONSABLE EN NINGÚN CASO DE LA PÉRDIDA NI DE NINGÚN DAÑO, INCIDENTAL, ESPECIAL O DE CONSECUENCIA, INCLUYENDO LOS COSTOS DE TRANSPORTACIÓN, SI LOS DAÑOS SE ORIGINAN POR VIOLAR LAS GARANTÍAS EXPRESAS O IMPLÍCITAS, VIOLAR EL CONTRATO, NEGLIGENCIA, Estricto Perjuicio o CUALQUIER OTRA TEORÍA LEGAL.

### Renuncia de garantías implícitas:

LAS GARANTÍAS ANTERIORMENTE MENCIONADAS SON EN LUGAR DE TODAS LAS DEMÁS GARANTÍAS, EXPRESAS O IMPLÍCITAS, QUE INCLUYEN SIN QUEDAR LIMITADAS A SER SÓLO LAS GARANTÍAS IMPLÍCITAS DE COMERCIABILIDAD E IDONEIDAD PARA UN PROPÓSITO PARTICULAR.

### Sin posibilidad de ser transferida:

Esta garantía se le extiende al comprador original solamente y no es transferible.

### Sus derechos bajo la ley estatal:

Algunos estados no permiten limitaciones en cuanto a la duración de una garantía implícita o la exclusión de daños incidentales o de consecuencia, de manera que la limitación y exclusión anteriores podrían no ser válidas para usted. Esta garantía le concede derechos legales específicos, pero podría tener derecho a otros, los que varían de estado a estado.

## Limited Warranty — High Volume/Low Pressure Spray Equipment

### What Is Covered By This Warranty:

This product, manufactured by Titan, is warranted against defects in material and workmanship for one (1) year following date of purchase if operated in accordance with Titan's printed recommendations and instructions.

Within the applicable warranty period, Titan will repair or replace, at our option, defective parts without charge if such parts are returned with transportation charges prepaid to the nearest Authorized Service Center or to Titan Tool Corporation, 1770 Fernbrook Lane, Minneapolis, MN 55447. If Titan is unable to repair this product as to conform to this Limited Warranty after a reasonable number of attempts, Titan will provide, at our option, either a replacement for this product or a full refund of the purchase price of this product. These remedies are the sole and exclusive remedies available for breach of express and implied warranties.

### What is Not Covered By This Warranty:

1. This Warranty does not cover any defects or damages caused by either:
  - a) the use or installation of repair or replacement parts or accessories not manufactured by Titan, or
  - b) repair performed by anyone other than a Titan Authorized Service Center.
2. The Warranty does not cover equipment and accessories supplied to Titan from an original equipment manufacturer, including but not limited to: hoses, tips, or accessories. Titan will provide the purchaser with copies of the original equipment manufacturer's express warranties provided to Titan along with the name and address of the appropriate manufacturer.
3. This Warranty does not cover damage or defects caused by or related to abrasion, corrosion, abuse, misuse, negligence, accident, normal wear, faulty installation, or tampering in a manner which impairs normal operation.

### Limitation of Remedies:

IN NO CASE SHALL TITAN BE LIABLE FOR ANY INCIDENTAL, SPECIAL OR CONSEQUENTIAL DAMAGES OR LOSS, INCLUDING TRANSPORTATION COSTS, WHETHER SUCH DAMAGES ARE BASED UPON A BREACH OF EXPRESS OR IMPLIED WARRANTIES, BREACH OF CONTRACT, NEGLIGENCE, STRICT TORT, OR ANY OTHER LEGAL THEORY.

### Disclaimer Of Implied Warranties:

THE FOREGOING WARRANTIES ARE IN LIEU OF ALL OTHER WARRANTIES, EXPRESS OR IMPLIED, INCLUDING BUT NOT LIMITED TO THE IMPLIED WARRANTIES OF MERCHANTABILITY AND FITNESS FOR A PARTICULAR PURPOSE.

### No Ability To Transfer:

This warranty is extended to the original purchaser only and is not transferable.

### Your Rights Under State Law:

Some states do not allow limitations on how long an implied warranty lasts or the exclusion of incidental or consequential damages, so the above limitation and exclusion may not apply to you. This warranty gives you specific legal rights, and you may also have other rights which vary from state to state.





**United States Sales & Service**

**Phone: 1-800-526-5362**

**Fax: 1-800-528-4826**

1770 Fernbrook Lane  
Minneapolis, MN 55447  
[www.titantool.com](http://www.titantool.com)

**Canadian Branch**

**Phone: 1-800-565-8665**

**Fax: 1-800-856-8496**

200 Trowers Road, Unit 7B  
Woodbridge, Ontario L4L 5Z8

**International**

**Phone: 1-201-337-1240**

**Fax: 1-201-405-7449**

1770 Fernbrook Lane  
Minneapolis, MN 55447