



TITAN®

OPERATING MANUAL

LazyLiner™ Pro / Elite

- D -	BETRIEBSANLEITUNG	10
- F -	MODE D'EMPLOI	18
- I -	ISTRUZIONI PER L'USO	26
- P -	INSTRUCCIONES DE USO	34
- E -	MANUAL DE PROPRIETÁRIO	42
- NL -	GEBRUIKSAANWIJZING	50
- DK -	DRIFTSVEJLENDNING	58
- S -	BRUKSANVISNING	66
- CN -	操作手册	74
- RU -	РУКОВОДСТВО ПО ЭКСПЛУАТАЦИИ	82
- RFB -	MANUAL DE OPERAÇÕES	90



Models:

Pro: 0290041H
Elite: 0290040H




Contents

Safety	2
Technical Data	3
Parts / controls identification.....	4-6
Adjustable comfort features	7
Setup	7
Operation checklist.....	7
Operation	8
Maintenance	8
Remedy in case of faults	9
Warranty.....	74

Safety

This manual contains information that must be read and understood before using the equipment. When you come to an area that has one of the following symbols, pay particular attention and make certain to heed the safeguard.

It is imperative that you read and heed all instructions in the operating manual for Honda motors and your Titan LazyLiner equipment.

	This symbol indicates a potential hazard that may cause serious injury or loss of life. Important safety information will follow.
	This symbol indicates a potential hazard to you or to the equipment. Important information that tells how to prevent damage to the equipment or how to avoid causes of minor injuries will follow.
	Notes give important information which should be given special attention.

Work or repairs at the electrical equipment:

These may only be carried out by a skilled electrician. No liability is assumed for incorrect installation.

Transportation and Storage

This equipment will withstand, or has been protected against, transportation and storage temperatures of -13°F (-25°C) to 131°F (+55°C) and for short periods up to 158°F (+70°C).

It has been packaged to prevent damage from the effects of normal humidity, vibration and shock.



MOVING VEHICLE HAZARD

Careless and reckless behavior causes accidents. Falling from vehicle, running into people or objects, or being struck by other vehicles may result in serious injury or death.

PREVENTION:

- When climbing onto LazyLiner, do not step on forward/reverse pedal.
- Make turns slowly and limit turns to 45° and under.
- Do not operate on slopes greater than 15°.
- Be careful when traveling on extreme declines and road pitches to prevent traction loss.
- Do not carry passengers.
- Do not tow without tow package and limit payload.
- Follow all local highway and transportation regulations.
- Do not operate the equipment without proper lighting.
- Only operate the equipment on clean and solid surfaces.



BURN HAZARD

To avoid severe burns, avoid hot equipment or fluid. Wait until equipment/fluid has cooled completely. Do not place any flammable materials (e.g. oil soaked rags) on the motor.



CARBON MONOXIDE HAZARD

Breathing carbon monoxide can cause death. Do not operate in an enclosed area.



PERSONAL PROTECTIVE EQUIPMENT

Wear appropriate protective equipment when operating or servicing equipment to help protect you from serious injury:

PREVENTION:

- Wear protective eye wear.
- Wear clothing and respirator recommended by spray material manufacturer.
- Wear steel toe shoes.
- Wear gloves.
- Wear hearing protection.



FIRE AND EXPLOSION HAZARD

Flammable fumes, such as solvent and paint fumes, in work area can ignite or explode.



PREVENTION:

- Use equipment in well ventilated area.
- Do not fill fuel tank while engine is running or hot.
- Eliminate all ignition sources when flammable fumes are present.
- Keep work area free of debris
- If there is static sparking or you feel a shock, stop operation immediately.
- Keep a fire extinguisher in work area.



STORAGE

Do not leave the LazyLiner in open air without protection, it must be stored in a dry place.



TRANSPORTATION

The LazyLiner may not be hooked up to the trailer hitch on a motor vehicle for transportation. LazyLiner may solely be transported on a flat-bed trailer or other transportation vehicle (i.e. a pickup truck) after it has been securely fastened.

Danger of crushing! Several persons are needed to on or off load LazyLiner.

LazyLiner may not be transported with a crane.

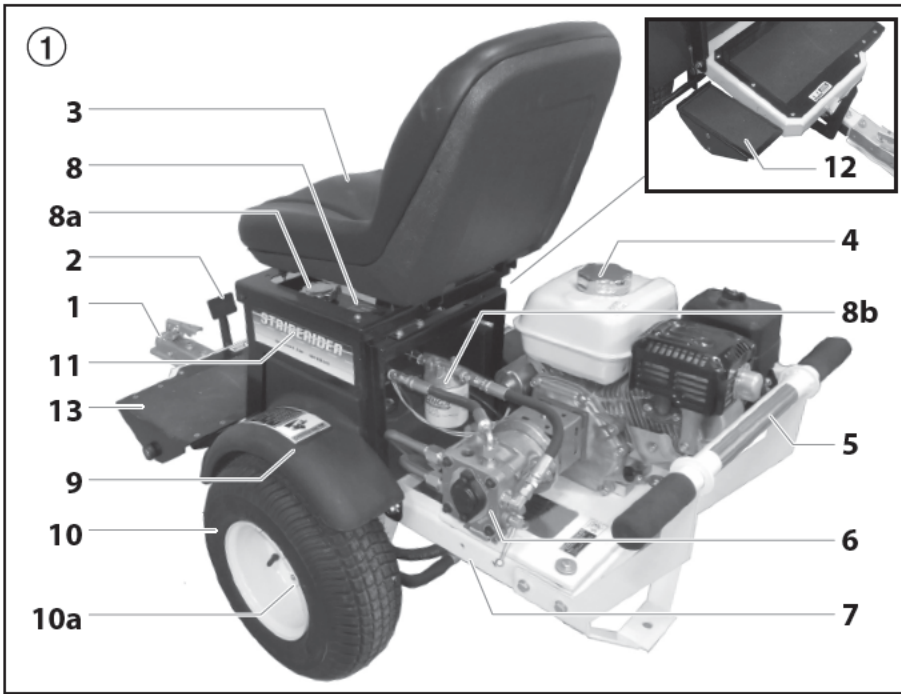


Technical Data

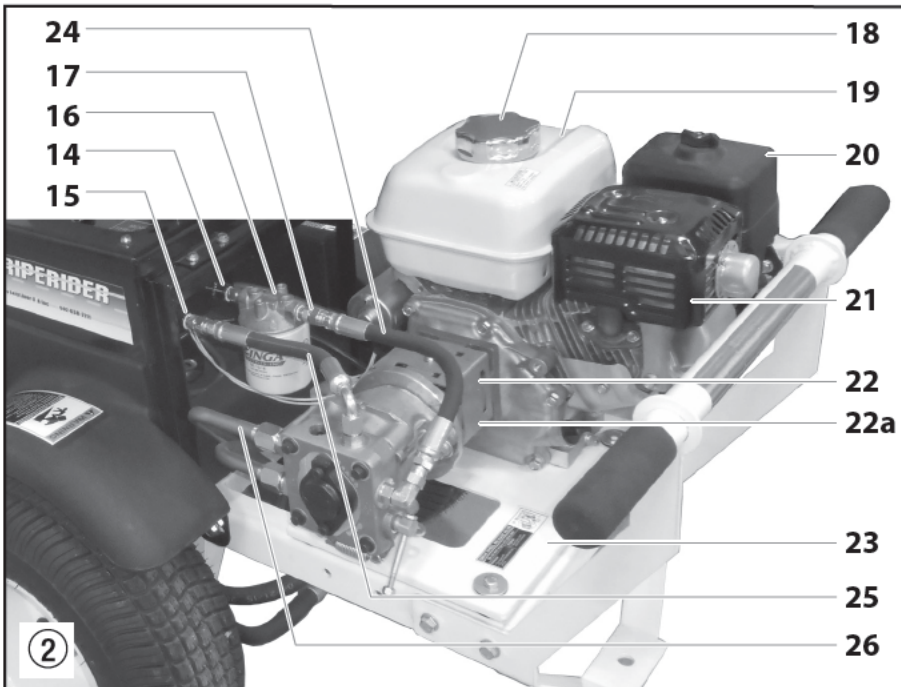
	LazyLiner Pro	LazyLiner Elite
Engine		
	Honda GX160, pull start	Honda GX200 electric start, 16A/200W
Engine oil type		
	SAE10-30W (0.6 l)	SAE10-30W (0.6 l)
Weight		
	118 kg	127 kg
Dimensions (L x W x H, seat in raised position)		
	145 cm x 66 cm x 107 cm	157 cm (bumper bar installed) x 74 cm x 107 cm
Maximum speed		
Forward	0-16 KM/h	0-16 KM/h
Reverse	0-11 KM/h	0-11 KM/h
Sound pressure		
	85 dB*	85 dB*
Vibration level (with attached line striping equipment)		
	< 2.5 m/s ² (right and left hand)	< 2.5 m/s ² (right and left hand)
Max. tire pressure		
	25 PSI (1.7 bar)	25 PSI (1.7 bar)
Construction	All steel welded construction frame and guards, engine protection bar and steel fenders with industrial powder coat	
Drive	Cast iron Hydrostatic transmission for forward and reverse operations	
	One gas pedal (forward/backward)	
	Track control drive differential	
	Double row rolling chain drive	
	Mobil 1™ 15W50 full synthetic oil (4 quarts)	
Hydraulic operating pressure		
	2700 PSI (186 bar)	2700 PSI (186 bar)
Operating temperature	+10°C and +40°C (+50°F and +104°F)	
Relative humidity	50%, by +40°C (+104°F) (A higher relative humidity poses no problem at lower temperatures.)	
Operating altitude	max. 3000m (9843') above sea level	
Parking brake	Manual parking brake	
Hitch	For installation on Titan and Graco line striping equipment	
Seat	Deluxe, high upholstered back with adjustable comfort control and weight sensor for safety shut off	

* Measured at the height of the seat position.

Parts / Control Identification



#	Part #	Description
1	0290647	Coupler bracket
2	0290648	Manual brake lever
3	0290675	Seat
	0290173	Seat safety switch (not shown)
4	0537547A	Engine (GX200, electric start shown, Elite)
	980-331A	Engine (GX160, Pro only)
5	0290646	Bumper bar (Elite only)
6	0290649	Hydraulic BDP pump
7	0290650	Main Frame
8	0290652	Hydraulic tank, 4 qt.
a	0290678	Hydraulic tank cap
b	0290679	Hydraulic filter
9	0290651	Fender
10	0290676	Wheel assembly, Elite (2)
	0290677	Wheel assembly, Pro (2)
a	0290682	Lug nuts (4 per wheel)
11	0290653	Seat frame
12	0290654	Foot pedal
13	0290656	Toe-board

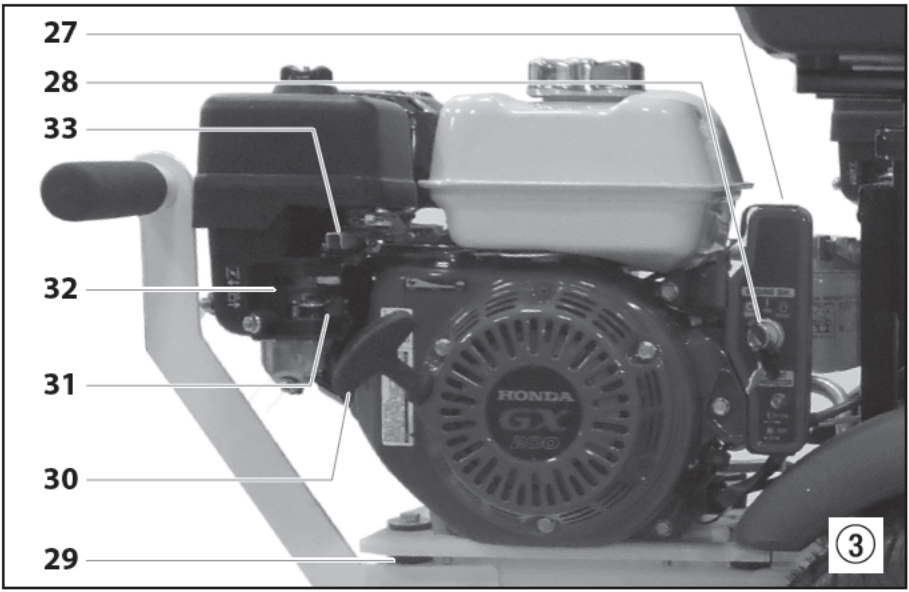


#	Part #	Description
14	0290394	Nipple, 1/4" NPT male
15	0290396	Elbow, 90°
16	0290657	Oil filter and spin on housing
17	0290395	Elbow, 90°
18	-----	Vented gas cap
19	-----	Gas tank
20	-----	Air filter
21	-----	Muffler assembly
22	0290658	Aluminum pump mount housing
a	0290659	Love-joy couplers (located inside item 22)
23	0290660	Engine to frame mount, with 8 rubber vibration isolator bushings
24	0290655	Pressure hydraulic line from filter to pump
25	0290661	Return hydraulic line from BDP pump to tank
26	0290662	Steel hard lines connecting wheel motor hoses to pump

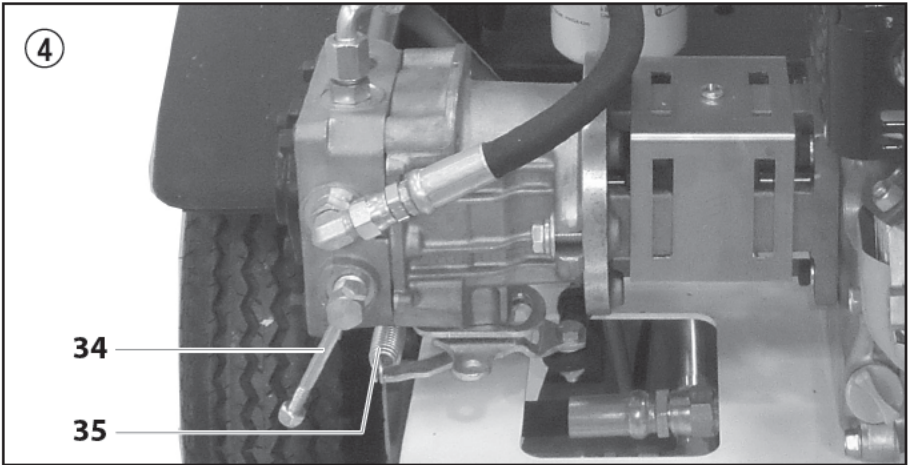


All of the listed Honda engine service parts are available only from the Honda service center.

Parts / Control Identification



#	Part #	Description
27	-----	Rectifier for magneto, (Elite only). See engine manual
28	0290925	Key switch for Elite (7 hp) unit
29	0290663	Rubber isolator bushings for engine plate to frame
30	-----	Recoil pull start (Pro and Elite units)
31	-----	Fuel shut-off
32	-----	Choke lever
33	-----	Engine throttle, (Pro and Elite units)

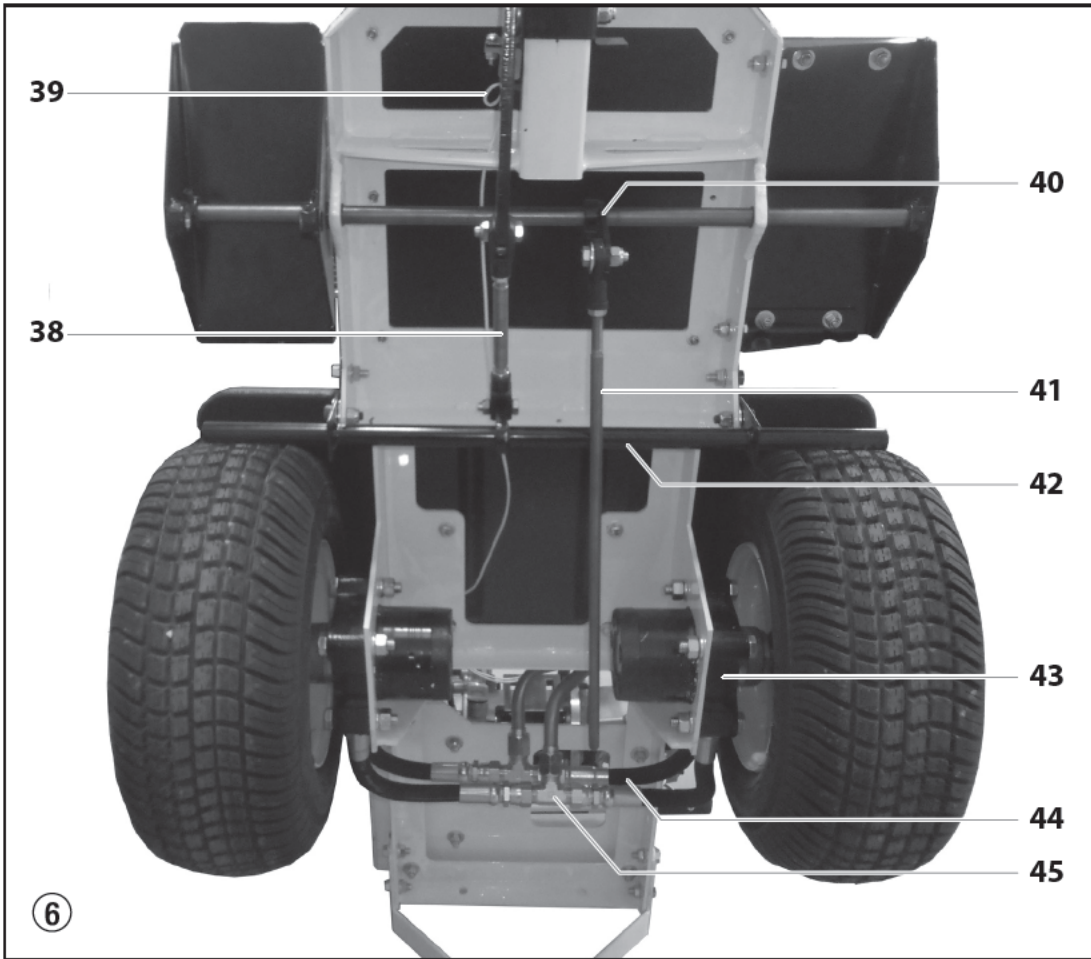


#	Part #	Description
34	-----	Hydraulic release valve, bypass. Turn clockwise to engage hydraulics to drive; loosen (counterclockwise 1/2 - 1 turn) to disengage, neutral
35	0290665	RTN (return to neutral) spring and mechanism, connects to pedal linkage under frame



#	Part #	Description
36	0290391	Seat adjustment bracket (2)
37	0290392	Spacer (4)

Parts / Control Identification



#	Part #	Description
38	2405985	Manually operated parking brake system, lower portion of item #2 which engages this system
39	0290680	Wire harness, engine stop
40	0290393	Connecting rod end
41	0290670	Linkage rod, connects pedal shaft to RTN on BDP pump, (7/16ths OD)
42	0290671	Parking brake locking bar

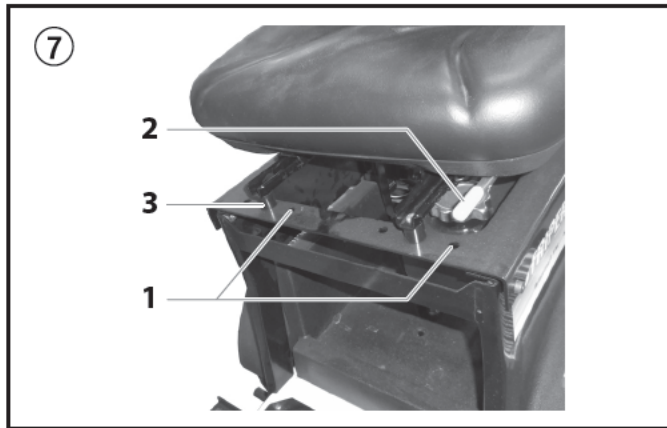
#	Part #	Description
43	0290672	Dual hydraulic drive wheel motors
44	0290673	Hydraulic lines connecting wheel motors to steel hard lines on pump, 4 total, two per wheel motor
45	0290674	3 way male, "T" fittings to connect wheel motor lines to steel hard lines from pump
	0290681	Battery cables, positive and negative (Elite only, not shown).

Adjustable comfort features

Adjustable Seat

The seat on your LazyLiner unit can be adjusted or fitted and positioned to provide you with a better comfort level for your daily operation if needed. Figure 7 shows the seat in a right side offset position.

1. For changing the left/right position of the seat, remove the nuts below the seat tracks, and align the seat tracks with a different set of holes (Fig. 7, item 1) in the seat frame. The seat can be positioned right or left side offset, or in the middle of the seat frame.
2. The seat can be adjusted back-to-front with the hand lever (2) underneath the left side of the seat. Pull the lever and adjust the seat backwards or forwards to desired position.
3. The spacers (3) can be installed or removed to adjust the seat up or down.

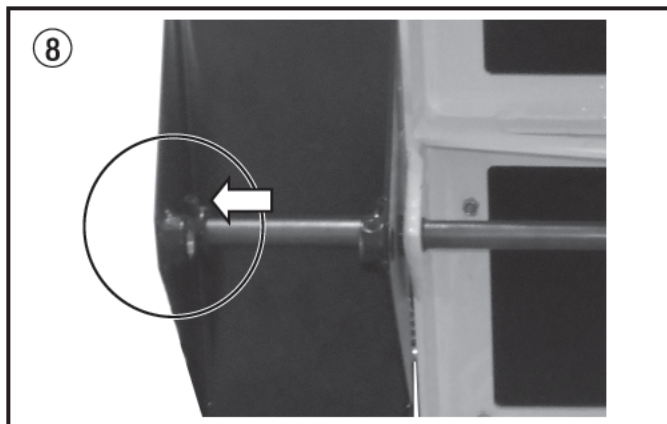


Adjustable Pedal

The gas pedal (the right pedal) on the LazyLiner can be adjusted to multiple angles as well as adjusted to an upper or lower position. Using these features can help reduce foot and ankle fatigue, or provide a little more legroom or height to help reach the pedal better.

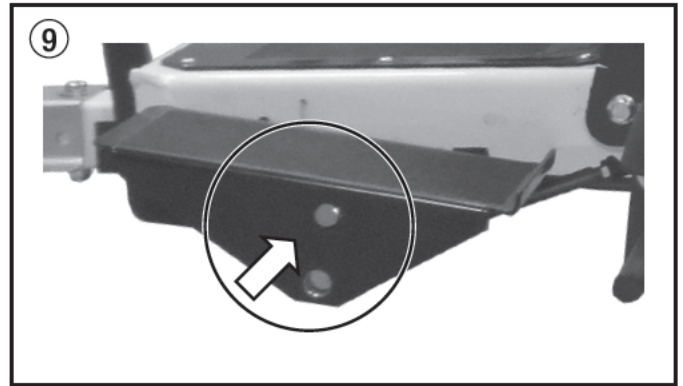
The LazyLiner is shipped with the pedal in the DOWN position. Follow these steps to adjust the position of the gas pedal.

1. Locate the two set screws underneath the pedal that attach the pedal to the shaft. Loosen these set screws using a hex wrench.



i If you plan to change the height of the pedal, completely remove the set screws. If you are just adjusting the angle of the pedal but not the height, the set screws do not need to be completely removed, just loosened.

2. While set screws are loosened/removed, reposition the pedal to desired height and angle. To put the pedal in the UP position, run the pedal shaft through the bottom hole in the pedal.



3. Replace and/or tighten the set screws to secure the pedal.

i If the set screws are not sufficiently tightened, the pedals will not engage the pedal shaft, and the throttle will not operate correctly.

Setup

Install the battery (Elite only)

The LazyLiner Elite does not include a battery. One must be purchased separately prior to use in order for the electric start to work.

1. Refer to the Honda engine manual included with the LazyLiner for the appropriate battery specifications.
2. In the compartment under the adjustable seat, loosen the bolt that secures the battery bracket to the frame.
3. Install the battery and hook the battery cables to the appropriate terminals: red to positive (+) terminal; black to negative (-) terminal.
4. Secure the battery bracket to the side of the battery to hold it in place. Tighten the bracket bolt to secure.

Install the trailer hitch

1. Install the trailer hitch to the back of your line striping equipment. Follow the separate instructions included with the LazyLiner.
2. Lift the locking lever on the coupler bracket on the LazyLiner and place it over the trailer hitch. Hang the LazyLiner on the striping equipment and make sure that the hitch engages. Secure the hitch with bolt and split.

Operation Checklist

Review the pre-operation check as follows:

1. Recheck that all components are correctly installed to insure safe operation
2. Check engine oil.
3. Check transmission oil.
4. Fill fuel with non-leaded gas in tank.
5. Check tire pressure.

Operation



Prior to putting the equipment into operation, please read the instructions in the operating manual for Honda motors carefully through.

1. Check engine oil level. Refer to the supplied engine manual for recommended oil level and service. The engine normally comes pretested and filled with oil from the factory.
2. Check transmission oil level in unit by removing the fill cap on top of the hydraulic tank. Oil level should be 3/4 to 1 inch from the top of the tank.



Attention

If oil is low or if it needs to be changed, always use Mobil 1™, 15W50 full synthetic oil. Never use "hydraulic oil" in the system.

3. Remove gas cap and fill tank with regular unleaded gas, make sure fuel shut off lever is in on position. Replace the gas cap.
4. Sit on the LazyLiner or engage parking brake.
5. Start the engine:
 - a. Engage parking brake (refer to Figure 1, item 2). Push arm forward to engage the brake.
 - b. Move fuel valve to open and choke valve to closed (same on both electric start or pull start units)
 - c. Set throttle to high and engine switch to ON (if pull start unit)
 - d. Pull engine cord or engage key switch
 - e. After engine starts, move choke to run position and set throttle to desired position.



The LazyLiner unit can not be started unless the parking brake is engaged or the operator is in the seated position, If the brake is not engaged or you are not seated the Safety switch system will not allow the engine to start.

6. Grip handle bars and squeeze caster wheel release.
7. Operate pedals in either the forward motion (toe down) or in reverse (heel down) which ever is needed. Turning the units is accomplished by using the striper and releasing the caster wheel.
8. The LazyLiner will achieve desired speed (0-16 KM/h forward, 0-11 KM/h backwards) by pressing harder or lighter on the pedal assembly.

The unit will come to a complete stop (quickly) once you allow the pedals to return to center or neutral. The hydraulic pressure creates the stopping or braking feature to bring your unit to a stop.



If the LazyLiner does not move, the hydraulic release valve bypass (see Figure 4, item 34) will need to be tightened. Turn 1/2 to 1 turn clockwise until tight to engage the drive.



ALWAYS set parking brake when not operating or on LazyLiner.

Maintenance

Read below in order to know what type of maintenance should be performed on your LazyLiner at certain intervals of usage.



For detailed information about maintenance and care of the motor, please read the instructions in the operation manual for Honda motors.

Daily:

- Check engine oil level and fill as necessary.
- Check oil transmission reservoir level and fill as necessary. Oil and filter should be changed every 650-700 hours of service.
- Check and fill the gas tank with regular unleaded gas.
- Check tires and inflate to 1,7 bar (25 PSI) if needed
- Wipe down equipment – Never use a water hose to wash.
- Check and clean air cleaner. Replace when necessary

After first 20 hours:

- Drain and refill engine oil with SAE 10W-30 oil. See manufacturers specs for API rating.

Weekly:

- Add a small amount of grease to ball coupler inside ball area.
- Check all hardware for integrity. Tighten any loose bolts or nuts.

Every 50 hours:

- Replace spark plug
- Inspect system for oil leakage from drive assembly.

Every 100 hours:

- Grease Axle Bearings – Moly type grease, two pumps of grease gun. Wipe excess grease off bearings.
- Drain and refill engine oil with SAE 10W-30 oil. See manufacturers specs for API rating
- Check and refill if necessary the transmission reservoir.
- Check chain tension and reset idler sprocket to tension if required. Remove transmission cover and check drive belt. Re-tension if required.
- Use air supply to remove accumulated dust inside cover.
- Rotate tires to get a more even wear and longer life span. As the tires wear, the brake assembly will need to be adjusted to ensure proper contact with the tires. Loosen the two 3/8" bolts that secure the brake assembly to the frame. Tap the brake assembly mount towards the rear of the unit 1/8 to 1/4 inch. Retighten the bolts.



Remedy in case of faults

Type of malfunction	Possible cause	Measures for eliminating the malfunction
A. Engine does not start	<ol style="list-style-type: none">1. Engine switch OFF, no gas or low oil.2. Battery empty.3. Parking brake not engaged.4. Nobody in the driver's seat, the sensor is not triggered.	<ol style="list-style-type: none">1. Consult engine manual.2. Pull the starter rope.3. Set the parking brake.4. Sit down in the driver's seat
B. Engine races to high rpm or stalls during operation	<ol style="list-style-type: none">1. Worn throttle lever, governor	<ol style="list-style-type: none">1. Consult engine manual.
C. Engine operates, LazyLiner does not move forward or reverse.	<ol style="list-style-type: none">1. Low hydraulic oil.2. The gas pedal has been incorrectly adjusted.3. The connecting rod end on the pedal cross shaft is loose.4. Parking brake is set.5. Hydraulic release valve bypass is open.	<ol style="list-style-type: none">1. Fill with hydraulic oil.2. Tighten the set screws underneath the pedals to secure to the pedal shaft.3. Make sure the connecting rod ends(see Figure 6, item 40) are secured to the dual pedal cross shaft .4. Release the parking brake.5. Close the hydraulic release valve bypass.
D. Engine operates, LazyLiner moves slowly in forward or reverse.	<ol style="list-style-type: none">1. Low hydraulic oil.2. The gas pedal has been incorrectly adjusted.3. The connecting rod ends on the dual pedal cross shaft is loose.4. Parking brake is set.5. Hydraulic release valve bypass is open.	<ol style="list-style-type: none">1. Fill with hydraulic oil.2. Tighten the set screws underneath the pedals to secure to the pedal shaft.3. Make sure the connecting rod ends (see Figure 6, item 40) are secured to the dual pedal cross shaft .4. Release the parking brake.5. Close the hydraulic release valve bypass.
E. Parking brake set, engine continues to run when operator exits LazyLiner.	<ol style="list-style-type: none">1. Defective safety switch.2. Parking brake not engaging the tires.	<ol style="list-style-type: none">1. Contact Titan Customer Service.2. Adjust parking brake per Maintenance instructions (see final bullet point, "Every 100 hours", previous page).
F. Engine misses during turns and forward and reverse changes.	<ol style="list-style-type: none">1. Engine oil low.	<ol style="list-style-type: none">1. Fill to correct oil level.
G. Engine runs for short time and stops.	<ol style="list-style-type: none">1. Fuel flow restriction.	<ol style="list-style-type: none">1. Consult engine manual.
H. LazyLiner stil moves after parking brake set.	<ol style="list-style-type: none">1. Parking brake not engaging the tires.	<ol style="list-style-type: none">1. Adjust parking brake per Maintenance instructions (see final bullet point, "Every 100 hours", previous page).

If you are still experiencing problems after having followed these steps, contact Titan Technical Service at 1-800-526-5362




Inhalt

Sicherheitsvorschriften	10
Technische Daten.....	11
Teile / Kennzeichnung von Bedienteilen.....	12-14
Einstellbare Komforteigenschaften.....	15
Installation	15
Betriebs-Checkliste	15
Betriebs	16
Wartung.....	17
Hilfe bei Störungen.....	17
Garantie	74

Sicherheitsvorschriften

Diese Bedienanleitung enthält Informationen, die der Benutzer vor Verwendung des Geräts gründlich durcharbeiten muss. Abschnitte, die mit den folgenden Symbolen gekennzeichnet sind, besonders sorgfältig lesen und alle Sicherheitshinweise beachten.

Lesen und beachten Sie unbedingt auch alle Anweisungen in den Betriebsanleitungen des Honda-Motors und Ihres Titan LazyLiner-Gerätes.

	Dieses Symbol verweist auf eine potenzielle Gefahr, die zum Tode oder zu schweren Verletzungen führen kann. Hier finden Sie wichtige Sicherheitsinformationen.
	Dieses Symbol weist auf eine potenzielle Gefahr für Sie bzw. das Gerät hin. Unter diesem Symbol finden Sie wichtige Informationen, wie Sie Schäden an dem Gerät und Verletzungsgefahr vermeiden.
	Hinweise enthalten wichtige Informationen, die beachtet werden sollten.

Arbeiten oder Reparaturen an der elektrischen Ausrüstung:

Diese nur von einer Elektrofachkraft durchführen lassen. Für unsachgemäße Installation wird keine Haftung übernommen.

Transport und Aufbewahrung

Dieses Gerät hält Transport- bzw. Aufbewahrungstemperaturen von -25°C bis + 55°C, kurzzeitig auch bis zu +70°C, stand bzw. ist dagegen geschützt.

Es wurde so verpackt, dass es Beschädigungen durch die Auswirkungen von normaler Feuchtigkeit, Erschütterungen und Stößen standhält.



GEFAHR BEIM FAHREN

Sorgloses und fahrlässiges Verhalten kann zu Unfällen führen. Schwere oder tödliche Verletzungen können die Folge sein, wenn man vom Fahrzeug stürzt, Personen anfährt oder gegen andere Fahrzeuge oder Gegenstände stößt.

VORSICHTSMASSNAHMEN:

- Treten Sie nicht auf das Fahrpedal (vorwärts/rückwärts), wenn Sie auf den LazyLiner steigen.
- Nehmen Sie Kurven langsam. Fahren Sie keine Kurven über 45°.
- Setzen Sie das Gerät nicht an Hängen über 15° ein.
- Seien Sie vorsichtig bei Bergabfahrten, da die Zugkraft verloren gehen kann.
- Das Mitfahren anderer Personen ist verboten.
- Ziehen Sie keine anderen Fahrzeuge ohne Anhängerkupplung und beschränken Sie die Nutzlast.
- Beachten Sie die örtlich gültigen Straßen- und Transportvorschriften.

- Benutze Sie die Ausrüstung nicht, wenn die Beleuchtung nicht ausreichend ist.
- Das Gerät nur auf sauberen und befestigten Untergrund verwenden.



BRANDGEFAHR

Um schwere Verbrennungen zu vermeiden, darf weder heißes Material noch das Gerät berührt werden. Warten Sie, bis das Gerät bzw. das Material vollständig abgekühlt ist.

Legen Sie keine brennbaren Materialien (z.B. ölgetränkter Lappen) auf den Motor.



GEFAHR DURCH KOHLENMONOXID

Das Einatmen von Kohlenmonoxid kann zum Tod führen. Benutzen Sie daher das Gerät niemals in einem geschlossenen Raum.



SCHUTZAUSRÜSTUNG

Wenn Sie das Gerät verwenden bzw. Servicearbeiten daran durchführen, müssen Sie eine entsprechende Schutzbekleidung tragen, um sich vor schweren Verletzungen zu schützen:

VORSICHTSMASSNAHMEN:

- Schutzbrille
- Schutzkleidung und Atemschutzgerät nach den Empfehlungen des Herstellers
- Stahlkappenschuhe
- Handschuhe
- Gehörschutz



BRAND- UND EXPLOSIONSGEFAHR

Brennbare Dämpfe wie z. B. Lösungsmittel- und Lackdämpfe im Arbeitsbereich können explodieren oder sich entzünden.



VORSICHTSMASSNAHMEN:

- Das Gerät nur in gut belüfteten Bereichen einsetzen.
- Nicht bei laufendem oder heißem Motor auftanken.
- Mögliche Zündquellen beseitigen, wenn brennbare Dämpfe vorhanden sind.
- Den Arbeitsbereich frei von Abfall halten.
- Wird bei der Verwendung dieses Geräts statische Funkenbildung wahrgenommen oder ein elektrischer Schlag verspürt, ist das Gerät sofort abzuschalten.
- Im Arbeitsbereich muss immer ein Feuerlöscher griffbereit sein.



LAGERUNG

Lassen Sie den LazyLiner nicht ungeschützt im Freien stehen, sondern lagern Sie ihn an einem trockenen Ort.



TRANSPORT

LazyLiner zum Transport nicht an die Anhängerkupplung eines Kraftfahrzeuges anhängen. PowerDriver nur entsprechend gesichert auf der Ladefläche transportieren.

Quetschgefahr! LazyLiner nur mit mehreren Personen Ein- und ausladen.

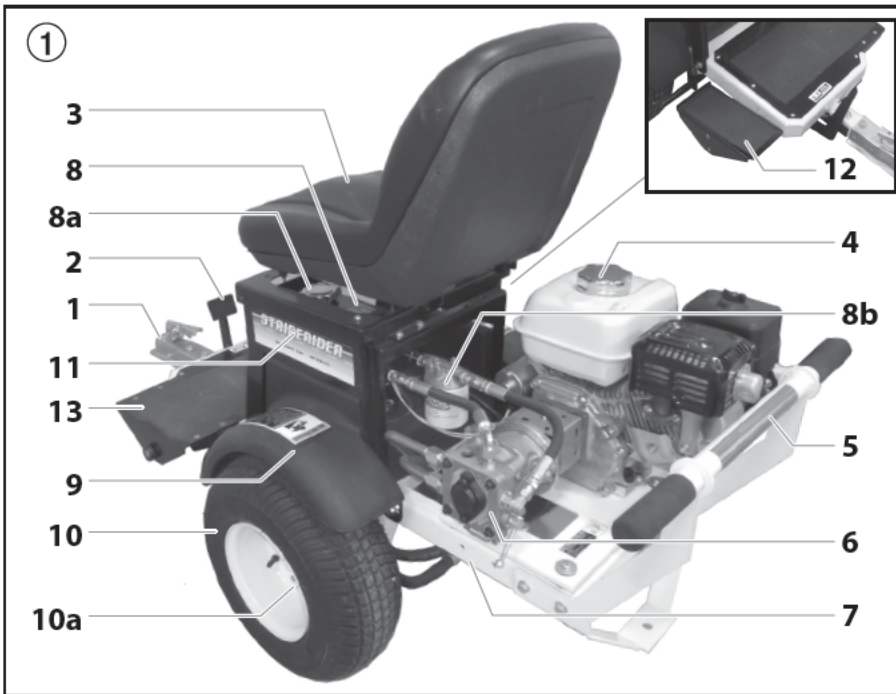
LazyLiner nicht mit einem Kran transportieren.

Technische Daten

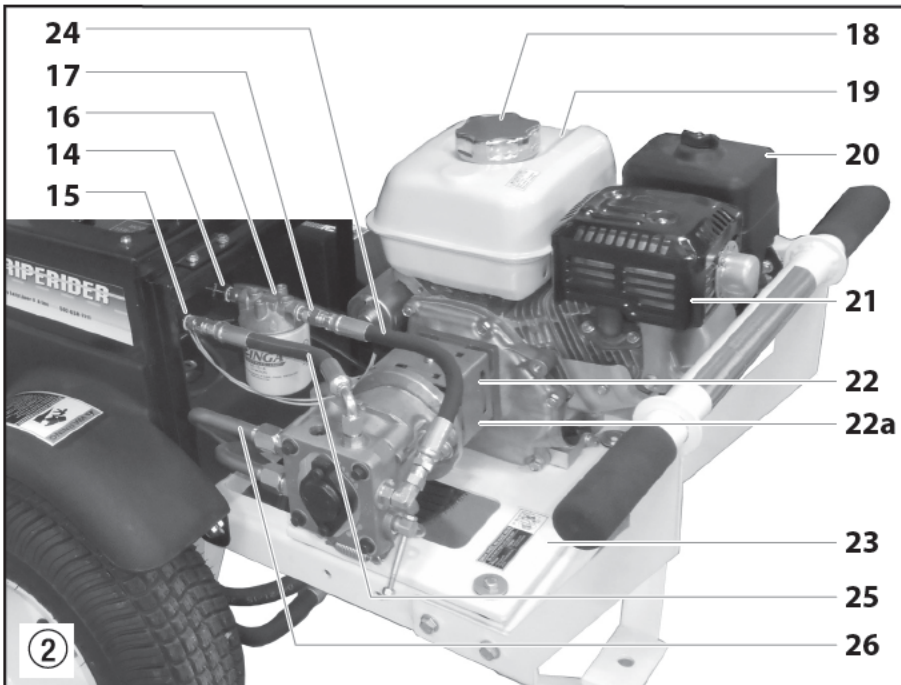
	LazyLiner Pro	LazyLiner Elite
Motor		
	Honda, GX160, Seilzugstart	Honda, GX200, Elektrostart, 16A/200W
Motorenöltyp		
	SAE10-30W (0,6 l)	SAE10-30W (0,6 l)
Gewicht		
	118 kg	127 kg
Maße (L x B x H, Sitz in angehobener Position)		
	145 cm x 66 cm x 107 cm	157 cm (Überrollbügel montiert) x 74 cm x 107 cm
Höchstgeschwindigkeit		
Vorwärts	0-16 KM/h	0-16 KM/h
Rückwärts	0-11 KM/h	0-11 KM/h
Schalldruck		
	85 dB*	85 dB*
Vibrationswerte (mit angeschlossenem Markierungsgerät)		
	< 2,5 m/s ² (rechts und links)	< 2,5 m/s ² (rechts und links)
Max. Raddruck		
	1,7 bar	1,7 bar
Bauweise	Ganzstahl-Schweißkonstruktionsrahmen und Schutzeinrichtungen, Sturzbügel und Stahlkotflügel mit industrieller Pulverbeschichtung	
Antrieb	Hydrogetriebe aus Gusseisen für Vorwärts- und Rückwärtsfahren Ein Fahrpedal (vorwärts/rückwärts) Differenzial für Traktionskontrolle Zweireihiger Rollenkettenantrieb Mobil 1™ 15W50 vollsynthetisches Öl (4 Quarte)	
Hydraulischer Betriebsdruck		
	186 bar	186 bar
Betriebstemperatur	+10°C und +40°C (+50°F und +104°F)	
Relative Luftfeuchtigkeit	50%, bis +40°C (+104°F) (Eine höhere relative Luftfeuchtigkeit stellt bei niedrigeren Temperaturen kein Problem dar.)	
Betriebshöhe	max. 3000m über n.n.	
Feststellbremse	Manuelle Feststellbremse	
Anhängerkupplung	Für die Montage an Titan und Graco Markierungsgeräte	
Sitz	Deluxe, hoch gepolsterte Rückenlehne mit einstellbarem Komfortsteuergerät und Gewichtssensor für die Absperrung des Motors	

* Gemessen an der Höhe der Sitzposition.

Teile / Kennzeichnung von Bedienteilen

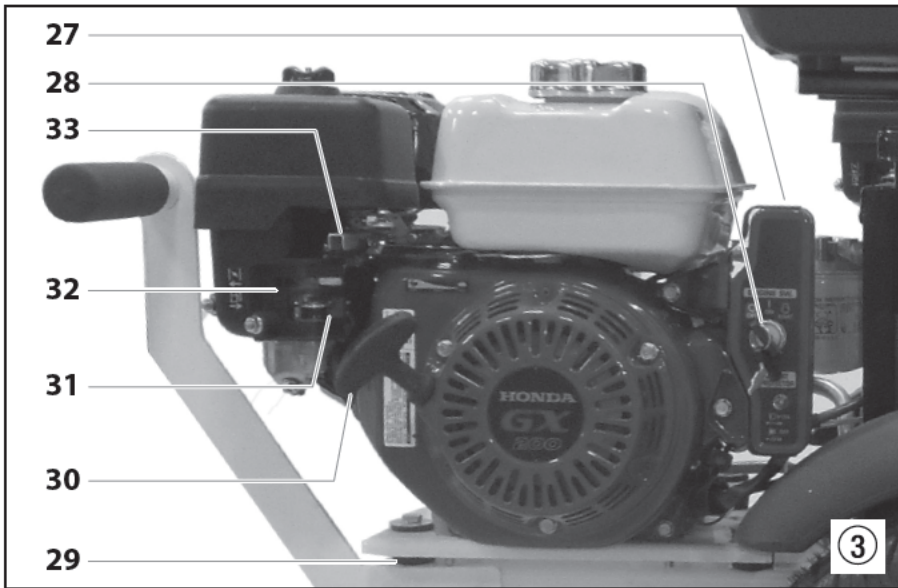


#	Ord. #	Benennung	
1	0290647	Kugelpkopfkupplung	
2	0290648	Manueller Bremshebel	
3	0290675	Sitz	
	0290173	Sitz safety switch	
4	0537547A	Motor (GX200, elektrischer Anlasser dargestellt, Elite)	
	980-331A	Motor (GX160, nur Pro)	
5	0290646	Überrollbügel (nur Elite)	
6	0290649	Hydraulische BDP-Pumpe	
7	0290650	Hauptrahmen	
8	0290652	Hydraulischer Tank, 4 Qt.	
	a	0290678	Hydraulischer Tankdeckel
	b	0290679	Hydraulischer Filter
9	0290651	Kotflügel	
10	0290676	Baugruppe Rad, Elite (2)	
	0290677	Baugruppe Rad, Pro (2)	
a	0290682	Radmutter (4 pro Rad)	
11	0290653	Sitzgestell	
12	0290654	Fußpedale	
13	0290656	Trittfläche	

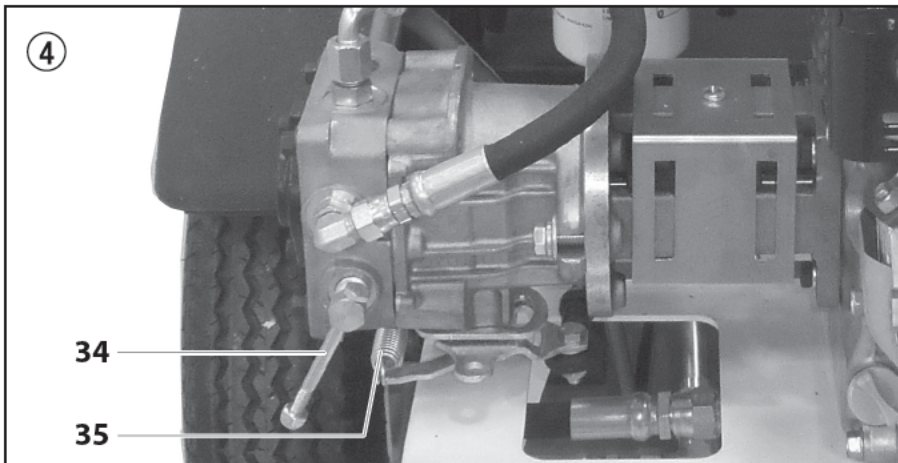


#	Ord. #	Benennung
14	0290394	Stutzen, 1/4" NPT nach Außen
15	0290396	Bogen, 90°
16	0290657	Ölfiler und Wechselgehäuse
17	0290395	Bogen, 90°
18	-----	Belüfteter Tankdeckel
19	-----	Benzintank
20	-----	Luftfilter
21	-----	Baugruppe Auspuff
22	0290658	Pumpengehäuse aus Aluminium
	a	0290659
23	0290660	Motor am Rahmen, mit 8 Gummitüllen Schwingungsisolator
24	0290655	Druckhydraulikleitung vom Filter zur Pumpe
25	0290661	Rücklaufhydraulikleitung von der BDP-Pumpe zum Tank
26	0290662	Stahlleitungen, die Schläuche des Radmotors mit Pumpe verbinden

Teile / Kennzeichnung von Bedienteilen



#	Ord. #	Benennung
27	-----	Stromrichter für Zünder (nur Elite). Siehe Motorenhandbuch
28	0290925	Schlüsselschalter für Elite (7 PS) Einheit
29	0290663	Gummitüllen Schwingungsisolator für Motorenplatte zum Rahmen
30	-----	Rückschnell-Starterzug (Pro und Elite Einheiten)
31	-----	Kraftstoff-Absperrventil
32	-----	Choke-Hebel
33	-----	Motorengashebel, (Pro und Elite Einheiten)

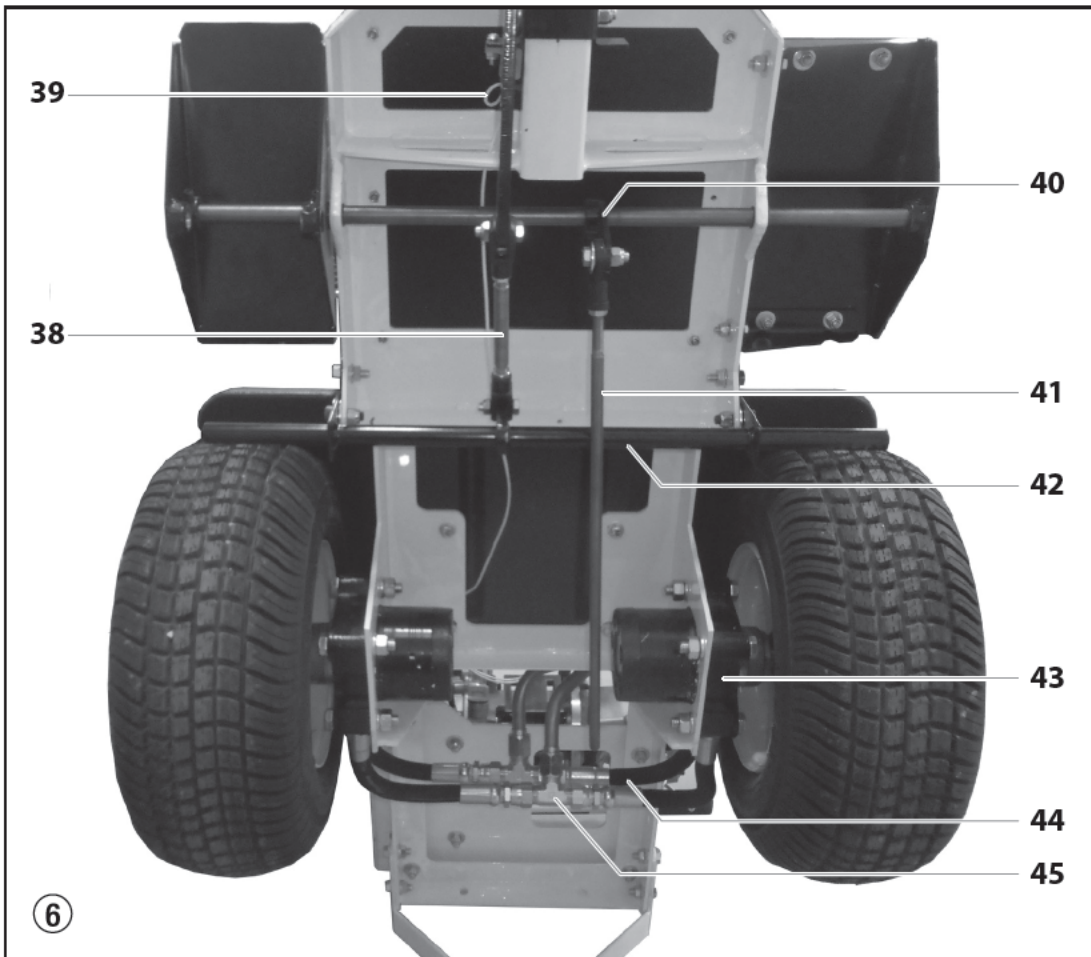


#	Ord. #	Benennung
34	-----	Hydraulisches Ablassventil, Umleitung. In Uhrzeigersinn drehen, um Hydraulik am Antrieb anzubringen; lösen, (1/2 - 1 Drehung gegen den Uhrzeigersinn) um zu trennen, neutral
35	0290665	RTN (zurück zur neutralen Position) Feder und Mechanismus, Verbindung zum Untergestell des Pedalgestänges



#	Ord. #	Benennung
36	0290391	Verstellbarer Bügel des Sitzes (2)
37	0290392	Abstandhalter (4)

Teile / Kennzeichnung von Bedienteilen



#	Ord. #	Benennung
38	2405985	Manuell betriebenes Feststellbremssystem, unterer Teil Pos. #2, das dieses System verbindet
39	0290680	Kabelbaum, Maschinenstopp
40	0290393	Enden der Verbindungsstange
41	0290670	Verbindungsstange, verbindet Pedalwelle mit RTN an der BDP-Pumpe, (7/16ths OD)
42	0290671	Verriegelungsstange Feststellbremse

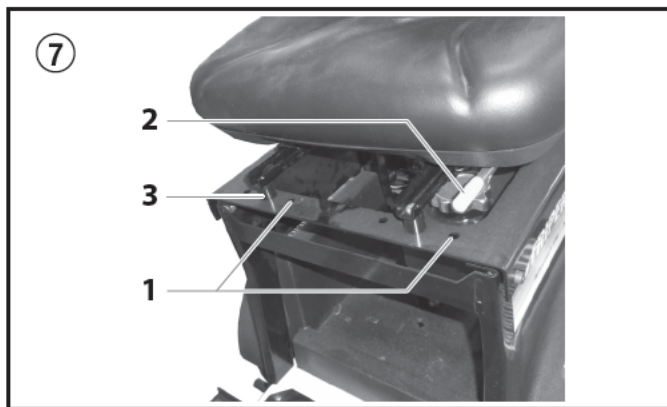
#	Ord. #	Benennung
43	0290672	Duale hydraulische Fahrmotoren
44	0290673	Hydraulikleitungen verbinden Radmotoren mit Stahlleitungen an der Pumpe, insgesamt 4, jeweils 2 pro Radmotor
45	0290674	3-Wege-Verbindungsstifte zur Verbindung der Radmotorenleitungen zu den Stahlleitungen von der Pumpe
	0290681	Batteriekabel, positiv und negativ (nur Elite, nicht dargestellt).

Einstellbare Komforteigenschaften

Einstellbarer Sitz

Der Sitz auf Ihrem LazyLiner kann eingestellt bzw. angepasst und so positioniert werden, dass Sie für Ihre täglich durchzuführenden Arbeiten bequemer sitzen. Abbildung 7 zeigt den Sitz in einer rechtsseitigen abgesetzten Position.

1. Um die rechte/linke Position des Sitzes zu ändern, entfernen Sie die Gewindemuttern unter den Sitzschienen und richten die Sitzschienen durch die unterschiedlichen Bohrungen (Abb. 7, Pos.1) im Sitzrahmen aus. Der Sitz kann rechts oder links in einer abgesetzten Position oder in der Mitte des Sitzrahmens ausgerichtet werden.
2. Der Sitz kann umgekehrt mit dem Handhebel (2) unter der linken Seite des Sitzes eingestellt werden. Ziehen Sie den Hebel und stellen den Sitz nach hinten oder nach vorne in die gewünschte Position ein.
3. Die Abstandhalter (3) können installiert oder entfernt werden, um den Sitz nach oben oder unten zu verstellen.

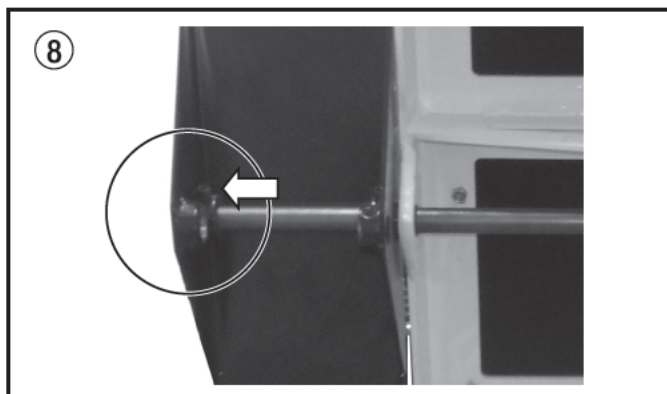


Verstellbare Pedale

Das Gaspedal (rechtes Pedal) am LazyLiner kann in unterschiedliche Winkel sowie in eine obere bzw. untere Stellung eingestellt werden. Mithilfe dieses Features kann eine Ermüdung des Fußes und des Knöchels verringert bzw. mehr Fußfreiheit bzw. Höhe gewährt werden, damit das Pedal besser erreicht werden kann.

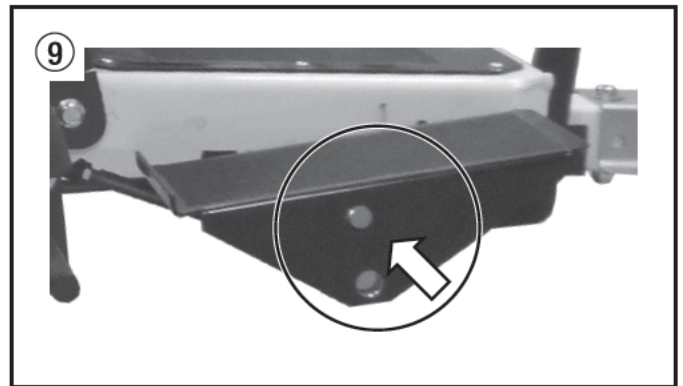
Der LazyLiner wird mit dem Pedal in der UNTEREN Position geliefert. Gehen Sie wie folgt vor, um die Position des Gaspedals einzustellen.

1. Suchen Sie nach den zwei Stellschrauben unter der Pedale, die die Pedale an der Welle befestigen. Lösen Sie diese Stellschrauben mithilfe eines Sechskantschlüssels.



i Wenn Sie die Höhe der Pedalen ändern möchten, müssen Sie die Stellschrauben ganz entfernen. Wenn Sie nur den Winkel der Pedale, aber nicht die Höhe einstellen möchten, müssen die Stellschrauben nicht vollständig entfernt, sondern nur gelöst werden.

2. Lösen/entfernen Sie die Stellschrauben und stellen die Pedale in die gewünschte Höhe und den gewünschten Winkel ein. Um die Pedale in die Position NACH OBEN zu bringen, müssen Sie die Pedalwelle durch das untere Loch in der Pedale führen.



3. Bringen Sie die Stellschrauben wieder an und/oder ziehen diese fest, um die Pedale wieder zu sichern.



Wurden die Stellschrauben nicht ausreichend festgezogen, rasten die Pedalen nicht in die Pedalwelle ein und das Fahrpedal funktioniert nicht richtig.

Montage

Montage der Batterie (nur Elite)

Es wird keine Batterie mit dem LazyLiner Elite geliefert. Diese muss vor der Benutzung separat für den elektrischen Anlasser gekauft werden.

1. Bezüglich der Batteriespezifikationen siehe das Honda Motorenhandbuch, das mit dem LazyLiner mitgeliefert wird.
2. Lösen Sie den Bolzen in dem Fach unter dem verstellbaren Sitz, der die Batteriehalterung am Rahmen befestigt.
3. Montieren Sie die Batterie und verbinden Sie die Batteriekabel mit den jeweiligen Klemmen: rot mit der positiven (+) Klemme; schwarz mit der negativen (-) Klemme.
4. Sichern Sie die Batteriehalterung an der Seite der Batterie, um die Batterie an der entsprechenden Stelle zu befestigen. Ziehen Sie den Bolzen der Halterung fest.

Montage der Anhängerkupplung

1. Montieren Sie Anhängerkupplung an die Rückseite Ihres Markierungsgerätes. Befolgen Sie die separaten Anweisungen, die dem LazyLiner beigelegt sind.
2. Heben Sie den Verriegelungshebel am Kupplungsbügel am LazyLiner an und bringen diesen über der Angängerkupplung an. Hängen Sie den LazyLiner an das Markierungsgerät und achten darauf, dass die Anhängerkupplung einrastet. Sichern Sie die Angängerkupplung mit dem Bolzen und Splint.

Betriebs-Checkliste

Überprüfen Sie vor der Inbetriebnahme folgende Punkte:

1. Überprüfen Sie, dass alle Bauteile für einen sicheren Betrieb richtig montiert sind
2. Überprüfen Sie das Motorenöl.
3. Überprüfen Sie das Getriebeöl.
4. Befüllen Sie den Tank mit bleifreiem Benzin.
5. Überprüfen Sie den Reifendruck (1,7 bar).

Inbetriebnahme



Lesen Sie vor der Inbetriebnahme der Ausrüstung die Anweisungen im Handbuch für Honda Motoren sorgfältig durch.

1. Überprüfen Sie den Stand des Motorenöls. Bitte siehe das mitgelieferte Motorenhandbuch bezüglich des empfohlenen Ölstandes und der Wartung. Der Motor wird üblicherweise vorgetestet und mit Öl geliefert.
2. Überprüfen Sie den Getriebeölstand im Gerät, indem Sie den Einfülldeckel oben auf dem hydraulischen Tank entfernen. Der Ölstand sollte 2 cm bis 2,5 cm unterhalb des Einfülldeckels sein.



Achtung

Ist der Ölstand niedrig bzw. muss es gewechselt werden, müssen Sie stets das vollsynthetische Öl Mobil 1™, 15W50 verwenden. Verwenden Sie niemals "Hydrauliköl" im System.

3. Entfernen Sie den Tankdeckel und befüllen den Tank mit herkömmlichem bleifreiem Benzin; achten Sie darauf, dass der Absperrhahn in der entsprechenden Position ist. Tauschen Sie den Tankdeckel aus.
4. Sitzen Sie auf dem LazyLiner bzw. ziehen Sie die Feststellbremse an.
5. Lassen Sie den Motor an:
 - a. Ziehen Sie die Feststellbremse (siehe Abb. 1, Pos. 2) an. Schieben Sie den Hebel nach vorne, um die Bremse zu betätigen.
 - b. Bewegen Sie den Benzinhahn, um diesen zu öffnen und stellen das Drosselventil auf geschlossen (sowohl beim elektrischen als auch beim Seilzugstart)
 - c. Stellen Sie das Fahrpedal auf hoch ein und den Motorenschalter auf AN (wenn mit Seilzugstart)
 - d. Ziehen Sie das Motorenseil oder betätigen den Schlüsselschalter
 - e. Schieben Sie den Choke-Schalter in die Vorwärtsposition, sobald der Motor gestartet ist, und stellen Sie den Gashebel auf die gewünschte Position ein.



Der LazyLiner kann erst gestartet werden, wenn die Feststellbremse angezogen wurde bzw. der Bediener sitzt. Wenn die Bremse nicht angezogen wurde bzw. Sie nicht sitzen, lässt das Sicherheitsschaltersystem den Motor nicht starten.

6. Ergreifen Sie die Handgriffe und betätigen Sie den Hebel, um die Lenkrolle zu lösen.
7. Betätigen Sie die Pedalen, um entweder nach vorne zu fahren (Zehen nach unten) oder um rückwärtszufahren (Ferse nach unten), je nachdem, was Sie wünschen. Da Gerät kann mithilfe des Ringels und durch das Lösen der Lenkrolle gewendet werden.
8. Der LazyLiner erreicht die gewünschte Geschwindigkeit (0-16 KM/h vorwärts, 0-11 KM/h rückwärts) durch stärkeres bzw. leichteres Betätigen der Pedalen.

Das Gerät kommt vollständig zum Stillstand (schnell), sobald Sie die Pedalen in die mittlere oder neutrale Position zurücklassen. Der hydraulische Druck sorgt für das Stoppen bzw. Bremsen, um Ihr Gerät anzuhalten.



Setzt sich der LazyLiner nicht in Bewegung, muss die Umgehung des hydraulischen Ablassventils (siehe Abb. 4, Pos. 34) festgezogen werden. Drehen Sie diese um eine 1/2 bis ganze Umdrehung in Uhrzeigersinn, bis diese fest ist, um den Antrieb einzukuppeln.



Ziehen Sie IMMER die Feststellbremse an, wenn Sie den LazyLiner nicht bedienen bzw. nicht auf diesem sitzen.

Wartung

Lesen Sie hier, welche Wartungsarbeiten Sie an Ihrem LazyLiner in welchen Zeitabständen durchführen müssen.



Für detaillierte Information zur Wartung und Pflege des Motors lesen Sie bitte die Betriebsanleitung des Honda-Motors.

Täglich:

- Motorölstand überprüfen und bei Bedarf nachfüllen.
- Hydraulikölstand kontrollieren und bei Bedarf nachfüllen. Öl und Filter müssen alle 650-700 Betriebsstunden ausgewechselt werden.
- Benzintank überprüfen und mit herkömmlichen bleifreiem Benzin nachfüllen.
- Reifen überprüfen und bei Bedarf Druck auf 1,7 bar (25 PSI) erhöhen.
- Maschine abwischen – Verwenden Sie niemals einen Wasserschlauch zur Reinigung.
- Luftfilter überprüfen, reinigen und bei Bedarf auswechseln.

Nach den ersten 20 Betriebsstunden:

- Motorenöl ablassen und sauberes Motorenöl des Typs SAE 10W-30 einfüllen. Siehe Herstellerhinweise bezüglich der API-Qualitätsklasse.

Wöchentlich:

- Eine kleine Menge Fett auf die Kupplungskugel und in das Innere der Kugel geben.
- Alle Beschläge auf Unversehrtheit überprüfen. Lose Bolzen oder Muttern festziehen.

Alle 50 Betriebsstunden:

- Zündkerzen auswechseln.
- System auf Öllecks im Antriebsaggregat überprüfen.

Alle 100 Betriebsstunden:

- Kette mit trockenem Motorradketten-Spray besprühen.
- Achslager schmieren - Moly Schmierfett, zwei Pumpstöße mit der Fettpresse. Überschüssiges Fett von den Lagern abwischen.
- Motoröl ablassen und sauberes Motorenöl des Typs SAE 10W-30 einfüllen. Siehe Herstellerhinweise bezüglich der API-Qualitätsklasse.
- Getriebereservoir überprüfen und bei Bedarf auffüllen.
- Kettenspannung überprüfen und Spannkettenspanner bei Bedarf wieder nachspannen. Getriebeabdeckung entfernen und Zahnriemen überprüfen. Bei Bedarf nachspannen.
- Staub, das sich im Inneren der Abdeckung angesammelt hat ist durch die Zuführung von Luft zu beseitigen.
- Drehen Sie die Reifen, um eine gleichmäßigere Abnutzung und eine längere Lebensdauer zu erreichen. Da die Reifen sich abnutzen, müssen die Bremsen eingestellt werden, um einen guten Kontakt mit den Rädern zu haben. Lösen Sie die beiden 3/8" Bolzen, die die Bremsen am Rahmen befestigen. Kippen Sie die Halterung der Bremsen um 3-6 mm in Richtung der Rückseite des Gerätes. Ziehen Sie die Bolzen wieder fest.

Hilfe bei Störungen

Art der Störung	Mögliche Ursache	Maßnahme zur Behebung der Störung
A. Motor lässt sich nicht starten.	<ol style="list-style-type: none"> 1. Motorschalter steht auf AUS, kein Benzin im Tank oder Ölstand zu niedrig. 2. Batterie leer 3. Feststellbremse nicht angezogen. 4. Fahrersitz ist unbesetzt, Sensor nicht ausgelöst 	<ol style="list-style-type: none"> 1. Bitte im Motorenhandbuch nachschlagen. 2. Starterseil ziehen 3. Ziehe Sie die Feststellbremse an. 4. Auf den Fahrersitz steigen
B. Motor dreht sehr hoch oder stirbt beim Betrieb ab.	<ol style="list-style-type: none"> 1. Gashebel, Drehzahlregler defekt 	<ol style="list-style-type: none"> 1. Bitte im Motorenhandbuch nachschlagen.
C. Motor läuft, LazyLiner fährt aber weder vorwärts noch rückwärts.	<ol style="list-style-type: none"> 1. Hydrauliköl-Pegelstand zu niedrig. 2. Das Fahrpedal wurde falsch eingestellt. 3. Die verbindenden Stangenköpfe an der Querwelle der dualen Pedale sind locker. 4. Feststellbremse angezogen. 5. Hydraulische Ablassventilumgehung ist geöffnet. 	<ol style="list-style-type: none"> 1. Hydrauliköl nachfüllen. 2. Ziehen Sie die Schrauben unter den Pedalen fest, um die Pedalwelle zu sichern. 3. Achten Sie drauf, dass die verbindenden Stangenköpfe (siehe Abb. 6, Pos. 40) an der Querwelle der dualen Pedale festgezogen sind. 4. Lösen Sie die Feststellbremse. 5. Schließen Sie die Ablassventilumgehung.
D. Motor läuft, LazyLiner fährt aber nur langsam vorwärts und rückwärts.	<ol style="list-style-type: none"> 1. Hydrauliköl-Pegelstand zu niedrig. 2. Das Fahrpedal wurde falsch eingestellt. 3. Die verbindenden Stangenköpfe an der Querwelle der dualen Pedale sind locker. 4. Feststellbremse angezogen. 5. Hydraulische Ablassventilumgehung ist geöffnet. 	<ol style="list-style-type: none"> 1. Hydrauliköl nachfüllen. 2. Ziehen Sie die Schrauben unter den Pedalen fest, um die Pedalwelle zu sichern. 3. Achten Sie drauf, dass die verbindenden Stangenköpfe (siehe Abb. 6, Pos. 40) an der Querwelle der dualen Pedale festgezogen sind. 4. Lösen Sie die Feststellbremse. 5. Schließen Sie die Ablassventilumgehung.
E. Wurde die Feststellbremse angezogen, läuft der Motor weiter, wenn Bediener vom LazyLiner absteigt.	<ol style="list-style-type: none"> 1. Sicherheitsschalter defekt. 2. Feststellbremse greift nicht an den Reifen. 	<ol style="list-style-type: none"> 1. Titan Service kontaktieren. 2. Feststellbremse mithilfe der Wartungsanweisungen einstellen (siehe letzten Aufzählungspunkt, "Alle 100 Stunden", vorherige Seite).
F. Motor setzt in Kurven sowie beim Wechsel von Vorwärts- auf Rückwärtsfahren und umgekehrt aus.	<ol style="list-style-type: none"> 1. Niedriger Motorölstand. 	<ol style="list-style-type: none"> 1. Nachfüllen, um den Ölstand zu korrigieren.
G. Motor läuft kurze Zeit und schaltet dann ab.	<ol style="list-style-type: none"> 1. Behinderung des Kraftstoffflusses. 	<ol style="list-style-type: none"> 1. Bitte im Motorenhandbuch nachschlagen.
H. LazyLiner bewegt sich immer noch nach dem Anziehen der Feststellbremse.	<ol style="list-style-type: none"> 1. Feststellbremse greift nicht an den Reifen. 	<ol style="list-style-type: none"> 1. Feststellbremse mithilfe der Wartungsanweisungen einstellen (siehe letzten Aufzählungspunkt, "Alle 100 Stunden", vorherige Seite).

Konnte der Fehler nicht behoben werden, wenden Sie sich bitte an den Titan Service.




Contenu

Prescriptions de sécurité	18
Caractéristiques techniques	19
Identification des pièces/commandes	20-22
Caractéristiques de confort réglable	23
Montage	23
Liste de vérification pour le fonctionnement	23
Fonctionnement	24
Entretien	25
Dépannage	25
Garantie	74

Prescriptions de sécurité

Veillez lire et être sûr de comprendre toutes les informations contenues dans ce manuel avant d'utiliser l'appareil. Lorsque vous pénétrez dans une zone qui contient les symboles suivants, soyez particulièrement vigilant et vérifiez que les systèmes de sécurité sont bien installés.

Il est impératif de lire et de suivre toutes les directives du mode d'emploi concernant les moteurs Honda et votre équipement LazyLiner de Titan.

	Ce symbole indique un risque potentiel pouvant entraîner des blessures graves ou même mortelles. Vous trouverez ci-après d'importantes consignes de sécurité.
 Attention	Ce symbole indique un risque potentiel pour vous ou pour l'appareil. D'importantes informations sur la manière d'éviter tout dommage de l'équipement ou d'éviter des blessures légères sont indiquées ci-après.
	Les notes contiennent des informations qui doivent être consciencieusement respectées.

Travaux et réparations sur l'équipement électrique:

Faire effectuer ces interventions uniquement par un électricien. Nous déclinons toute responsabilité dans le cas d'une installation incorrecte.

Transport et entreposage

Cet équipement résistera aux températures de transport et d'entreposage entre -25°C et +55°C et jusqu'à +70°C pour des périodes courtes, ou il est protégé pour résister à ces températures.

Son emballage prévient les dommages des effets de l'humidité, de la vibration et des coups normaux.



DANGER DU VÉHICULE EN MOUVEMENT

Les comportements imprudents et dangereux causent des accidents. Tomber du véhicule, heurter des gens ou des objets ou être frappé par d'autres véhicules peut causer des blessures graves ou la mort.

PRÉVENTION :

- Lorsque vous montez sur le LazyLiner, n'appuyez pas sur la pédale de marche avant-arrière.
- Assurez-vous de tourner lentement et limiter les virages à 45° ou moins.
- Ne pas manœuvrer le LazyLiner sur des pentes de plus de 15°.
- Faites attention lorsque vous vous déplacez sur des descentes extrêmes et des inclinaisons de la route afin de prévenir la perte de traction.
- Ne transportez pas de passagers.
- Ne remorquez pas sans la trousse de remorquage et limitez la charge.

- Suivez toutes les lois locales sur les autoroutes et le transport.
- Ne faites pas fonctionner l'équipement sans l'éclairage approprié.
- Manœuvrer l'équipement uniquement sur des surfaces propres et solides.



DANGER DE BRÛLURE

Afin d'éviter les brûlures graves, évitez l'équipement ou les fluides chauds. Attendez que l'équipement/les fluides se refroidissent complètement.

Ne pas placer de matériaux inflammables (p. ex. chiffons trempés d'huile) sur le moteur.



DANGER DE MONOXYDE DE CARBONE

Respirer du monoxyde de carbone peut occasionner la mort. Ne pas manœuvrer le LazyLiner dans un espace clos.



ÉQUIPEMENT DE PROTECTION INDIVIDUELLE

Portez l'équipement de protection approprié lorsque vous manipulez l'équipement ou en faites l'entretien afin de vous protéger contre des blessures graves :

PRÉVENTION :

- lunette de protection;
- vêtements et appareil respiratoire recommandés par le fabricant;
- chaussures à embout d'acier;
- gants;
- protection de l'ouïe.



DANGER D'INCENDIE OU D'EXPLOSION

Les émanations inflammables, telles que les émanations de solvant et de peinture, dans une zone de travail peuvent s'enflammer ou exploser.



PRÉVENTION :

- Servez-vous de l'équipement dans un endroit bien aéré.
- Ne faites jamais le plein lorsque le moteur est en marche ou chaud.
- Éliminez toutes les sources d'inflammation en présence d'émanations inflammables.
- Gardez la zone de travail exempt de débris
- S'il y a production d'étincelles statiques ou si vous ressentez un choc, arrêtez le fonctionnement immédiatement.
- Gardez un extincteur dans la zone de travail.



ENTREPOSAGE

Ne pas laisser le LazyLiner en plein air sans protection. Il doit être entreposé dans un endroit sec.



TRANSPORT

Il ne faut pas raccorder le LazyLiner au dispositif d'attelage de remorque sur un véhicule motorisé aux fins de transport. Le LazyLiner peut uniquement être transporté par un transporteur de marchandises à fond plat en s'assurant qu'il est bien attaché.

Risque d'écrasement! Il faut plusieurs personnes pour charger ou décharger le LazyLiner.

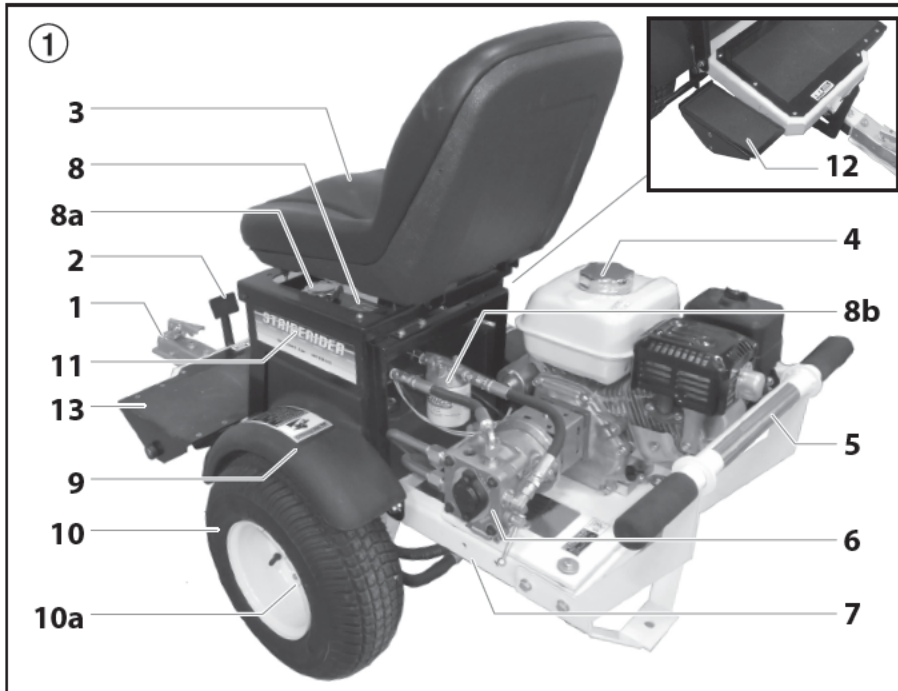
Le LazyLiner ne doit pas être transporté par une grue.

Caractéristiques techniques

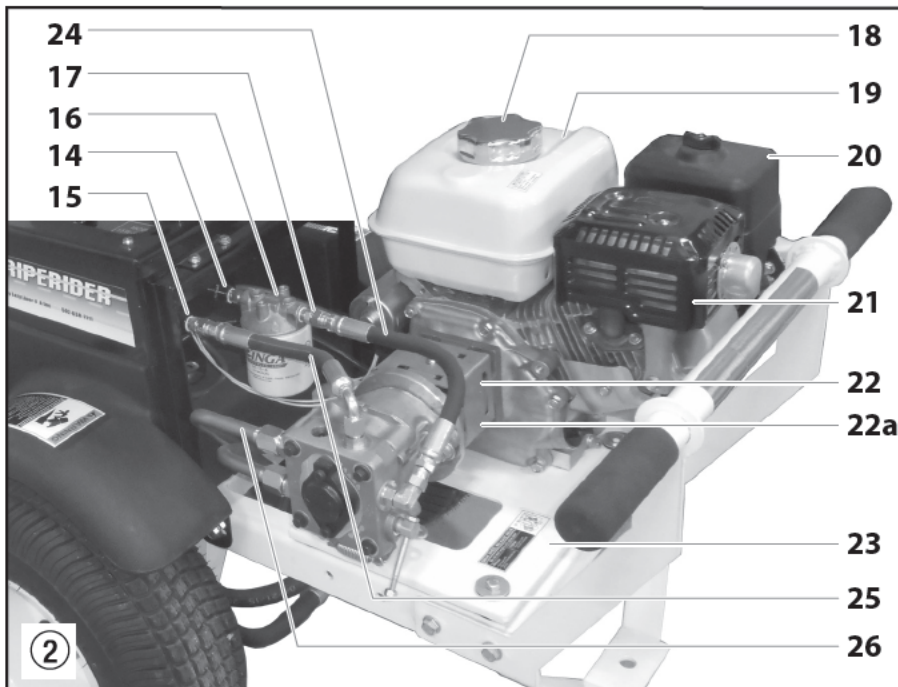
	LazyLiner Pro	LazyLiner Elite
Moteur	Honda GX160, cordon de démarrage	Honda GX200, démarreur électrique, 16 A/200 W
Type d'huile de moteur	SAE10-30W (0,6 l)	SAE10-30W (0,6 l)
Poids	118 kg	127 kg
Dimensions (long. x larg. x haut., siège en position relevé)	145 cm x 66 cm x 107 cm	157 cm (parechoc installé) x 74 cm x 107 cm
Vitesse maximum		
Marche avant	0-16 km/h	0-16 km/h
Marche arrière	0-11 km/h	0-11 km/h
Pression acoustique	85 dB*	85 dB*
Niveau de vibration (avec l'équipement pour peindre les lignes)	< 2,5 m/s ² (main droite et gauche)	< 2,5 m/s ² (main droite et gauche)
Pression de pneu maximum	1,7 bar	1,7 bar
Construction	Châssis et dispositifs de sécurité en acier soudé, barre de protection du moteur et garde-boues en acier avec un revêtement en poudre industrielle	
Entraînement	Transmission hydrostatique en fonte pour la marche avant et arrière	
	Accélérateur (marche avant/arrière)	
	Différentiel du mécanisme de commande d'entraînement de la piste	
	Chaîne à galets d'entraînement double	
	Pétrole synthétique 15W50 Mobil 1™ (4 pintes)	
Pression de service hydraulique	186 bar	186 bar
Température de fonctionnement	+10 °C et +40 °C (+50 °F et +104 °F)	
Humidité relative	50 % à +40 °C (+104 °F) (une humidité plus élevée ne pose pas de difficultés à des températures plus basses.)	
Altitude de fonctionnement	3000 m (9843 pi) max. au-dessus du niveau de la mer	
Frein à main	Frein à main manuel	
Accouplement	À installer sur l'équipement Titan et Graco pour peindre des lignes	
Siège	Siège rembourré de luxe à dossier haut avec commande de confort réglable et arrêt de sécurité en fonction du capteur de poids	

* Mesuré à la hauteur du siège.

Identification des pièces/commandes

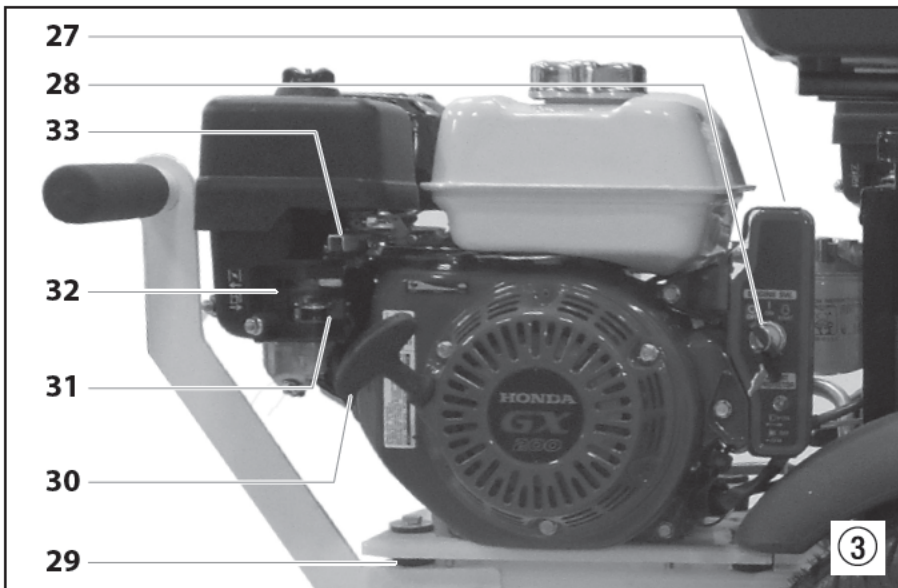


#	N° de pièce	Description	
1	0290647	Support du coupleur	
2	0290648	Levier de frein manuel	
3	0290675	Siège	
	0290173	Siège safety switch	
4	0537547A	Moteur (GX200, démarreur électrique illustré, Elite)	
	980-331A	Moteur (GX160, modèle Pro uniquement)	
5	0290646	Pare-choc (modèle Elite uniquement)	
6	0290649	Pompe BDP hydraulique	
7	0290650	Châssis principal	
8	0290652	Réservoir hydraulique, 4 pintes	
	a	0290678	Couvercle du réservoir hydraulique
	b	0290679	Filtre hydraulique
9	0290651	Défense	
10	0290676	Ensemble de roues, modèle Elite (2)	
	0290677	Ensemble de roues, modèle Pro (2)	
a	0290682	Écrous de roue (4 par roue)	
11	0290653	Châssis de siège	
12	0290654	Pédale	
13	0290656	Planche de pied	
14	0290394	Raccord fileté mâle, PNT de 0,625 cm	

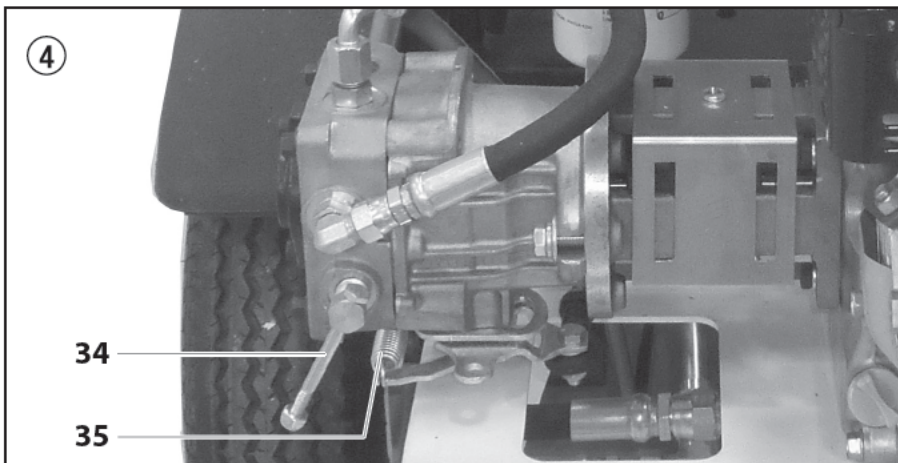


#	N° de pièce	Description
15	0290396	Coude, 90°
16	0290657	Filtre à huile et corps à visser
17	0290395	Coude, 90°
18	-----	Bouchon de réservoir à essence ventilé
19	-----	Réservoir d'essence
20	-----	Filtre à air
21	-----	Ensemble de silencieux
22	0290658	Logement du support de pompe en aluminium
	a	0290659
23	0290660	Montage du moteur au châssis, avec huit bagues antivibrateurs en caoutchouc
24	0290655	Conduite hydraulique de pression du filtre à la pompe
25	0290661	Conduite hydraulique de retour de pompe BDP au réservoir
26	0290662	Lignes dures en acier raccordant les tuyaux du moteur-roue à la pompe

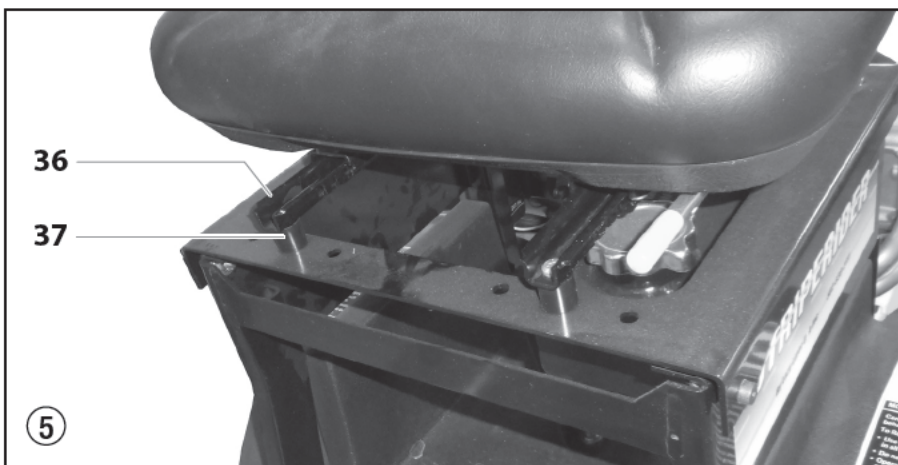
Identification des pièces/commandes



#	N° de pièce	Description
27	-----	Redresseur pour la magnéto (modèle Elite uniquement). Voir le manuel du moteur
28	0290925	Interrupteur à clé pour le modèle Elite (7 hp)
29	0290663	Bagues antivibrateurs en caoutchouc entre la plaque moteur et le châssis
30	-----	Cordon de démarrage à rappel (appareils Pro et Elite)
31	-----	Soupape d'arrêt de carburant
32	-----	Levier du volet d'air
33	-----	Étrangleur du moteur (appareils Pro et Elite)

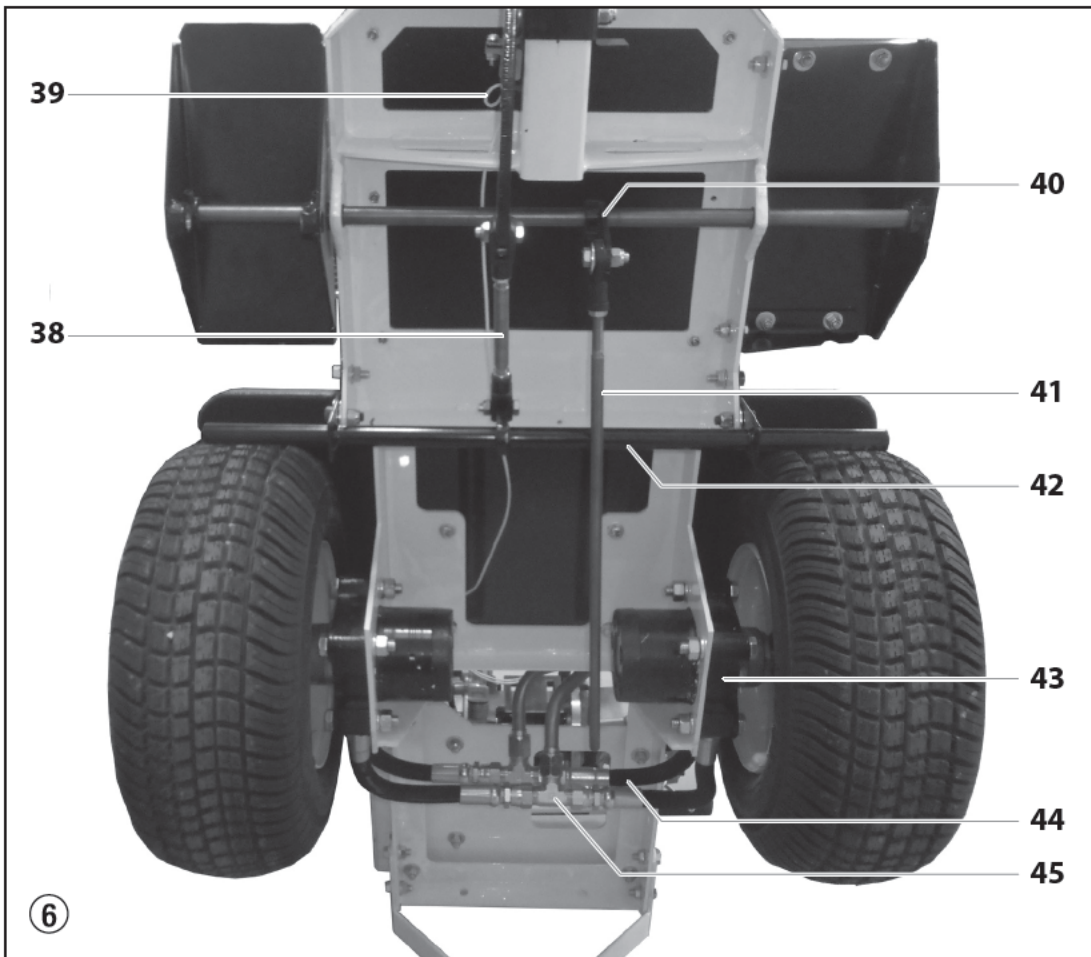


#	N° de pièce	Description
34	-----	Dérivation de la valve de vidange hydraulique. Tourner dans le sens des aiguilles d'une montre pour engager le système hydraulique afin d'avancer; tourner (dans le sens contraire des aiguilles d'une montre de 1/2 à 1 tour) pour désembrayer le moteur, le mettre à la position neutre
35	0290665	Ressort et mécanisme de remise au point mort, relie l'attelage de la pédale sous le châssis



#	N° de pièce	Description
36	0290391	Support de réglage du siège (2)
37	0290392	Entretoise (4)

Identification des pièces/commandes



#	N° de pièce	Description
38	2405985	Système de freinage manuel, portion inférieure de l'article 2 qui engage ce système
39	0290680	Faisceau de câbles, arrêt du moteur
40	0290393	Bouts de la bielle
41	0290670	Bielle, raccorde l'axe de pédale à la remise au point mort de la pompe BDP, (diamètre extérieur de 7/16e)
42	0290671	Barre de sécurité du frein de stationnement
43	0290672	Moteurs de roues motrices hydrauliques doubles

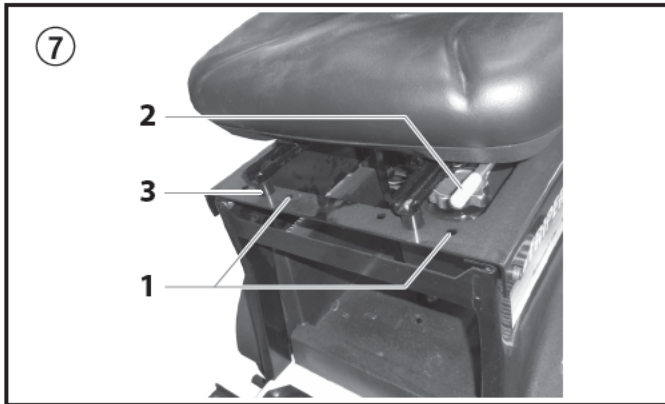
#	N° de pièce	Description
44	0290673	Conduites hydrauliques raccordant les moteurs-roues aux lignes dures en acier sur la pompe, 4 au total, deux par moteur-roue
45	0290674	Raccords en T mâle triple pour raccorder les lignes du moteur-roue aux lignes dures en acier de la pompe
	0290681	Câbles de la pile, positif et négatif (modèle Elite uniquement, non illustré).

Caractéristiques de confort réglables

Siège réglable

Le siège de votre appareil LazyLiner peut être réglé ou adapté et positionné afin de vous offrir un plus grand confort pour vos activités quotidiennes, au besoin. La figure 7 montre le siège à la droite.

1. Pour changer la position du siège vers la droite ou la gauche, enlever les écrous sous les rails de fixation fauteuils et aligner les rails avec un différent ensemble de trous (figure 7, article 1) du châssis. Le siège peut être positionné à la droite ou à la gauche, ou au milieu du châssis.
2. Le siège peut être avancé ou reculé à l'aide du levier à main (2) sous le côté gauche du siège. Tirer le levier et reculer ou avancer le siège à la position souhaitée.
3. Les entretoises (3) peuvent être installées ou enlevées pour ajuster le siège vers le haut ou vers le bas.

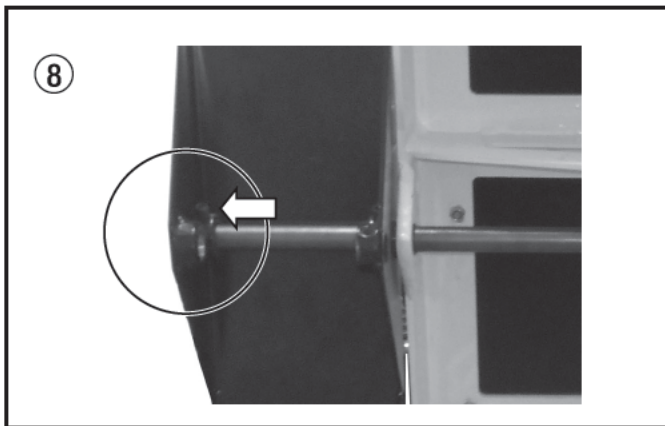


Pédale réglable

L'accélérateur (la pédale de droite) du LazyLiner peut être réglé à de nombreux angles, ainsi que soulevé ou abaissé. L'utilisation de ces fonctions peut réduire la fatigue du pied et de la cheville, ou offrir un peu plus d'espace pour les jambes ou de hauteur pour mieux atteindre la pédale.

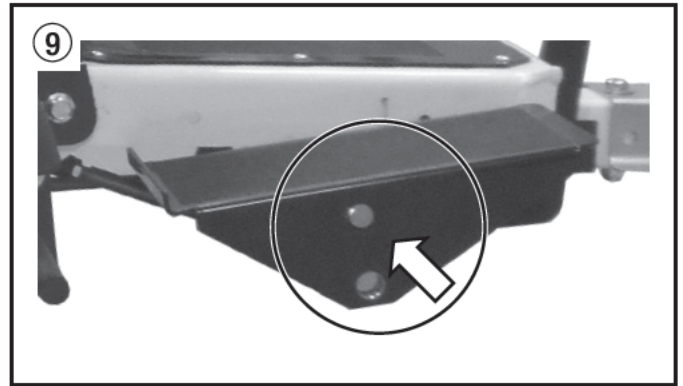
La pédale est ABAISSÉE au moment de l'expédition du LazyLiner. Suivez ces étapes afin de régler la position de l'accélérateur.

1. Situer les deux ensembles de vis sous la pédale qui fixe la pédale à l'axe. Dévisser ces vis à l'aide d'une clé à tête hexagonale.



Si vous prévoyez changer la hauteur des pédales, retirez complètement ces ensembles de vis. Si vous réglez uniquement l'angle de la pédale, sans régler la hauteur, il n'est pas nécessaire de retirer complètement les ensembles de vis, il suffit de les dévisser.

2. Tandis que l'ensemble de vis est desserré/enlevé, repositionner la pédale à la hauteur et à l'angle souhaités. Pour mettre la pédale à la position haute, passer l'axe de pédale dans le trou inférieur de la pédale.



3. Replacer et/ou serrer l'ensemble des vis pour fixer la pédale.



Si les ensembles de vis ne sont pas suffisamment serrés, les pédales n'engageront pas l'axe de pédale et l'étrangleur ne fonctionnera pas correctement.

Montage

Installation de la pile (appareil élite uniquement)

L'appareil LazyLiner Elite n'inclut pas de piles. Une pile doit être achetée séparément avant l'utilisation pour que le démarrage électrique fonctionne.

1. Consulter le manuel du moteur Honda inclut avec l'appareil LazyLiner pour connaître les spécifications appropriées de la pile.
2. Dans le compartiment sous le siège réglable, dévisser le boulon qui fixe le support de pile au châssis.
3. Installer la pile et accrocher les câbles de la pile aux terminaux appropriés : le câble rouge au terminal positif (+) et le câble noir au terminal négatif (-).
4. Fixer le support de pile sur le côté de la pile afin de le tenir en place. Serrer le boulon du support pour le fixer.

Installation du dispositif d'attelage de remorque

1. Installer le dispositif d'attelage de remorque à l'arrière de l'équipement pour peindre des lignes. Suivre les directives séparées incluses avec l'appareil LazyLiner.
2. Lever le levier de verrouillage sur le support du coupleur sur l'appareil LazyLiner et le placer sur le dispositif d'attelage de remorque. Accrocher l'appareil LazyLiner sur l'équipement pour peindre des lignes et veiller à ce que l'accouplement s'engage. Fixer l'accouplement à l'aide d'un boulon et diviser.

Liste de vérification pour le fonctionnement

Effectuer la vérification comme suit avant le fonctionnement de l'équipement :

1. Vérifier à nouveau que toutes les composantes sont installées correctement pour assurer un fonctionnement sécuritaire.
2. Vérifier l'huile du moteur
3. Vérifier l'huile à transmission
4. Faire le plein d'essence sans plomb
5. Vérifier la pression des pneus (1,7 bar)

Fonctionnement



Avant de mettre l'équipement en marche, veuillez lire les instructions du manuel de fonctionnement des moteurs Honda attentivement.

1. Vérifier le niveau d'huile. Consulter le manuel du moteur fourni pour connaître le niveau d'huile et l'entretien recommandé. Le moteur vient habituellement de l'usine déjà mis à l'essai et rempli d'huile.
2. Vérifier le niveau d'huile de transmission dans l'appareil en enlevant le bouchon de remplissage sur le dessus du réservoir hydraulique. Le niveau d'huile doit se situer entre 3/4 et 1 pouce du haut du réservoir.



Attention

Si le niveau d'huile est faible ou si l'huile doit être changée, utilisez toujours de l'huile synthétique 15W50 Mobil 1™. N'utilisez jamais de « l'huile hydraulique » dans l'appareil.

3. Enlever le bouchon du réservoir à essence et remplir le réservoir d'essence sans plomb. S'assurer que le levier de fermeture du carburant est à la position MARCHE. Remettre le bouchon du réservoir à essence.
4. S'asseoir sur l'appareil LazyLiner ou actionner le frein à main.
5. Démarrer le moteur :
 - a. Actionner le frein à main (consulter la figure 1, article 2). Pousser le bras vers l'avant pour actionner le frein à main;
 - b. Ouvrir la soupape du carburant à la position ouvrir et fermer le volet d'air (l'étape est la même pour les appareils au démarrage électrique ou ayant un cordon de démarrage);
 - c. Régler l'étrangleur à élevé et l'interrupteur du moteur à MARCHE (s'il s'agit de l'appareil ayant un cordon de démarrage);
 - d. Tirer le cordon de démarrage ou actionner l'interrupteur à clé;
 - e. Après le démarrage du moteur, déplacer le levier du volet d'air à la position de fonctionnement et l'étrangleur à la position désirée.



L'appareil LazyLiner ne démarre pas à moins que le frein à main soit actionné ou que l'utilisateur soit assis. Si le frein n'est pas actionné ou si vous n'êtes pas assis, l'interrupteur de sécurité ne permettra pas au moteur de démarrer.

6. Saisir les poignées et serrer le bouton de déclenchement de la roue pivotante.
7. Utiliser les pédales en marche avant (orteils vers le bas) ou en marche arrière (talons vers le bas), selon les besoins. On tourne les appareils en utilisant l'appareil à peindre les lignes et en relâchant la roue pivotante.
8. L'appareil LazyLiner atteindra la vitesse désirée (0 à 16 km/h en marche avant, 0 à 11 km/h en marche arrière) en appuyant plus ou moins fort sur la pédale.

L'appareil s'arrêtera complètement (rapidement) lorsqu'on laisse les pédales retourner au centre ou à la position neutre. La pression hydraulique est l'élément qui déclenche les freins pour arrêter l'appareil.



Si l'appareil LazyLiner ne bouge pas, la dérivation de la valve de vidange hydraulique (voir la figure 4, article 34) devra être serrée. La tourner de 1/2 à 1 tour dans le sens des aiguilles d'une montre jusqu'à ce qu'elle soit serrée afin d'engager l'engrenage.



TOUJOURS actionner le frein à main lorsque l'appareil n'est pas en marche ou l'utilisateur n'est pas assis sur l'appareil LazyLiner.

Entretien

Lire ce qui suit afin de connaître quel type d'entretien doit être effectué sur votre LazyLiner à certains intervalles d'utilisation.



Pour obtenir des renseignements plus détaillés au sujet de l'entretien du moteur, lire les directives dans le mode d'emploi pour les moteurs Honda.

Chaque jour :

- Vérifier le niveau d'huile du moteur et le remplir au besoin.
- Vérifier le niveau d'huile hydraulique du réservoir de la transmission et le remplir au besoin. Le filtre et l'huile devraient être changés toutes les 650 à 700 heures d'utilisation.
- Vérifier le réservoir à carburant et faire le plein d'essence sans plomb.
- Vérifier les pneus et les gonfler à 1,7 bar, au besoin.
- Essuyer l'équipement – Ne jamais utiliser un tuyau d'arrosage pour le laver.
- Vérifier et nettoyer le filtre à air. Le remplacer au besoin.

Après les 20 premières heures :

- Égoutter l'huile à moteur et la remplacer par de l'huile SAE 10W30. Consulter les spécifications du fabricant pour le classement API.

Chaque semaine :

- Ajouter un peu de graisse à l'attelage de la boule à l'intérieur de la zone de la boule.
- Vérifier l'intégrité de tout le matériel. Resserrer les boulons ou les écrous desserrés.

Chaque 50 heures :

- Remplacer la bougie d'allumage.
- Inspecter le système pour une fuite d'huile de la boîte d'engrenages.

Chaque 100 heures :

- Vaporiser la chaîne en utilisant un lubrifiant sec pour chaîne de motocyclette.
- Graisser les paliers d'essieu – graisse de type Moly, deux pompes du graisseur. Essuyer la graisse excédentaire des paliers.
- Égoutter l'huile à moteur et la remplacer par de l'huile SAE 10W30. Consulter les spécifications du fabricant pour le classement API.
- Vérifier le réservoir de transmission et le remplir au besoin.
- Vérifier la tension de la chaîne et rajuster la roue dentée de la poulie tendeur à la tension au besoin. Retirer le couvercle de la transmission et vérifier la courroie d'entraînement. Ajuster la tension au besoin.
- Se servir de l'alimentation d'air pour retirer la poussière accumulée à l'intérieur du couvercle.
- La rotation des pneus assure une usure plus équilibrée et une durée de vie plus longue. Au fur et à mesure que les pneus deviennent usés, l'ensemble de freinage devra être ajusté pour garantir un bon contact avec les pneus. Desserrer les deux boulons de 0,937 cm qui fixent l'ensemble de freinage au châssis. Tapoter sur le montage de l'ensemble de freinage vers l'arrière de l'appareil de 0,3 à 0,6 cm. Resserrer les boulons.

Dépannage

Défaut	Cause possible	Remède
A. Le moteur ne démarre pas.	<ol style="list-style-type: none"> 1. L'interrupteur du moteur à ARRÊT, pas d'essence ou niveau d'huile faible. 2. Batterie déchargée 3. Le frein à main n'est pas actionné. 4. Il n'y a personne dans le siège du conducteur, le capteur n'est pas déclenché 	<ol style="list-style-type: none"> 1. Consulter le manuel du moteur. 2. Tirer la corde de démarrage 3. Actionner le frein à main. 4. S'assois dans le siège du conducteur
B. Le moteur passe à des tours/minute élevés ou cale pendant le fonctionnement.	<ol style="list-style-type: none"> 1. Le levier d'étrangleur et le régulateur sont usés 	<ol style="list-style-type: none"> 1. Consulter le manuel du moteur.
C. Le moteur fonctionne, le moteur d'entraînement LazyLiner ne fait pas marche avant ou arrière.	<ol style="list-style-type: none"> 1. Le niveau d'huile hydraulique est bas. 2. L'accélérateur a été mal ajusté. 3. Les bouts de la bielle sur l'arbre transversal à deux pédales sont desserrés. 4. Le frein à main est actionné. 5. La dérivation de la valve de vidange hydraulique est ouverte. 	<ol style="list-style-type: none"> 1. Faire le plein d'huile hydraulique. 2. Serrer l'ensemble des vis sous les pédales pour fixer l'axe de pédale. 3. S'assurer que les bouts de la bielle (voir la figure 6, article 40) sont fixés à l'arbre transversal à deux pédales. 4. Libérer le frein à main. 5. Fermer la dérivation de la valve de vidange hydraulique.
D. Le moteur fonctionne, le LazyLiner avance lentement à la marche avant ou arrière.	<ol style="list-style-type: none"> 1. Le niveau d'huile hydraulique est bas. 2. L'accélérateur a été mal ajusté. 3. Les bouts de la bielle sur l'arbre transversal à deux pédales sont desserrés. 4. Le frein à main est actionné. 5. La dérivation de la valve de vidange hydraulique est ouverte. 	<ol style="list-style-type: none"> 1. Faire le plein d'huile hydraulique. 2. Serrer l'ensemble des vis sous les pédales pour fixer l'axe de pédale. 3. S'assurer que les bouts de la bielle (voir la figure 6, article 40) sont fixés à l'arbre transversal à deux pédales. 4. Libérer le frein à main. 5. Fermer la dérivation de la valve de vidange hydraulique.
E. Le frein à main est actionné, le moteur continue de fonctionner lorsque l'opérateur quitte l'appareil LazyLiner.	<ol style="list-style-type: none"> 1. Interrupteur de sécurité défectueux. 2. Le frein à main n'enclenche pas les pneus. 	<ol style="list-style-type: none"> 1. Contactez le Service à la clientèle de Titan. 2. Régler le frein à main selon les instructions d'entretien (voir le dernier point important « toutes les 100 heures » à la page précédente).
F. Le moteur a des défaillances pendant les virages et les changements de position entre la marche avant et arrière.	<ol style="list-style-type: none"> 1. Le niveau d'huile de moteur est bas. 	<ol style="list-style-type: none"> 1. Faire le plein au bon niveau d'huile.
G. Le moteur tourne pendant un court temps et s'arrête.	<ol style="list-style-type: none"> 1. Étranglement de l'écoulement du carburant. 	<ol style="list-style-type: none"> 1. Consulter le manuel du moteur.
H. L'appareil LazyLiner se déplace encore après l'actionnement du frein à main.	<ol style="list-style-type: none"> 1. Le frein à main n'enclenche pas les pneus. 	<ol style="list-style-type: none"> 1. Régler le frein à main selon les instructions d'entretien (voir le dernier point important « toutes les 100 heures » à la page précédente).

Si le problème ne peut être résolu, contacter le service clientèle de Titan.




Índice

Normas de seguridad	26
Datos técnicos	27
Identificación de piezas y controles	28-30
Características de comodidad ajustables	31
Instalación	31
Lista de verificación de funcionamiento	31
Funcionamiento	32
Mantenimiento	32
Procedimiento en caso de averías	33
Garantía	75

Normas de seguridad

El presente manual contiene información que deberá leer y comprender bien antes de utilizar el equipo. Cuando llegue a una sección que tenga uno de los siguientes símbolos, preste especial atención y asegúrese de que se cumplen las medidas de seguridad.

Es imperativo que lea y siga todas las instrucciones que vienen en el manual de operación para motores Honda y para los equipos Titan LazyLiner.

	Este símbolo indica un peligro potencial que puede provocar lesiones graves e incluso la muerte. A continuación se incluye información importante de seguridad.
 Atención	Este símbolo indica un peligro potencial para usted o para el equipo. A continuación se incluye información importante para evitar daños al equipo o evitar situaciones que podrían provocar lesiones de segundo orden.
	Las notas añaden información importante a la que debe prestarse especial atención.

Trabajos o reparaciones en el equipamiento eléctrico:

Disponer su ejecución únicamente por un electricista competente. No se asume ninguna responsabilidad por la instalación inadecuada.

Transporte y almacenamiento

Este equipo resistirá, o se ha protegido contra temperaturas de almacenamiento y transporte de -25° C a +55° C y, por periodos cortos, de hasta +70° C.

Se ha embalado para evitar daños a causa de los efectos de condiciones normales de humedad, vibración y choque.



PELIGRO DE VEHÍCULO EN MOVIMIENTO

El comportamiento descuidado e imprudente provoca accidentes. El caer de un vehículo, chocar con personas u objetos, o ser golpeado por otros vehículos puede provocar lesiones graves o la muerte.

PREVENCIÓN:

- Al subir a LazyLiner, no pise el pedal de avance/retroceso.
- Gire lentamente y limite los giros a 45° o menos.
- No lo opere en pendientes de más de 15°.
- Sea cuidadoso al desplazarse en descensos extremos o en pendientes de caminos para evitar la pérdida de tracción.
- No transporte pasajeros.
- No remolque sin el paquete de remolque y limite la carga.
- Respete todas las normas de transporte y de carreteras locales.
- No haga funcionar el equipo sin la iluminación adecuada.
- Solo haga funcionar el equipo en superficies limpias y sólidas.



PELIGRO DE QUEMADURAS

Para evitar quemaduras graves, evite los líquidos o equipos calientes. Espere hasta que el equipo o líquido se haya enfriado completamente.

No coloque ningún material inflamable (por ejemplo, trapos empapados en aceite) en el motor.



PELIGRO DE MONÓXIDO DE CARBONO

Respirar monóxido de carbono puede provocar la muerte. No lo haga funcionar en áreas cerradas.



EQUIPO DE PROTECCIÓN PERSONAL

Use el equipo de protección personal cuando haga funcionar o realice mantenimiento para protegerse de lesiones graves:

PREVENCIÓN:

- Protección para los ojos
- Vestimenta y respirador recomendado por el fabricante
- Zapatos con punta de acero
- Guantes
- Protección auditiva



PELIGRO DE EXPLOSIÓN E INCENDIO

Los gases inflamables, como los gases de las pinturas y los solventes, pueden encenderse o explotar en el área de trabajo.



PREVENCIÓN:

- Use el equipo en áreas bien ventiladas.
- No llene el tanque de combustible mientras el motor esté en marcha o esté caliente.
- Elimine todas las fuentes de ignición cuando haya presencia de gases inflamables.
- Mantenga el área de trabajo libre de desechos.
- Si hay formación estática de chispas o siente una descarga, detenga inmediatamente la operación.
- Mantenga un extintor de incendios en el área.



ALMACENAMIENTO

No deje el equipo LazyLiner al aire libre sin protección; debe almacenarlo en un lugar seco.



TRANSPORTE

El equipo LazyLiner no se debe enganchar a la horquilla de tiro en un vehículo motorizado para el transporte. El equipo LazyLiner se debe transportar únicamente mediante un transportador de carga con una plataforma plana que esté fijada firmemente.

Peligro de aplastamiento. Se necesitan varias personas para cargar y descargar el equipo LazyLiner.

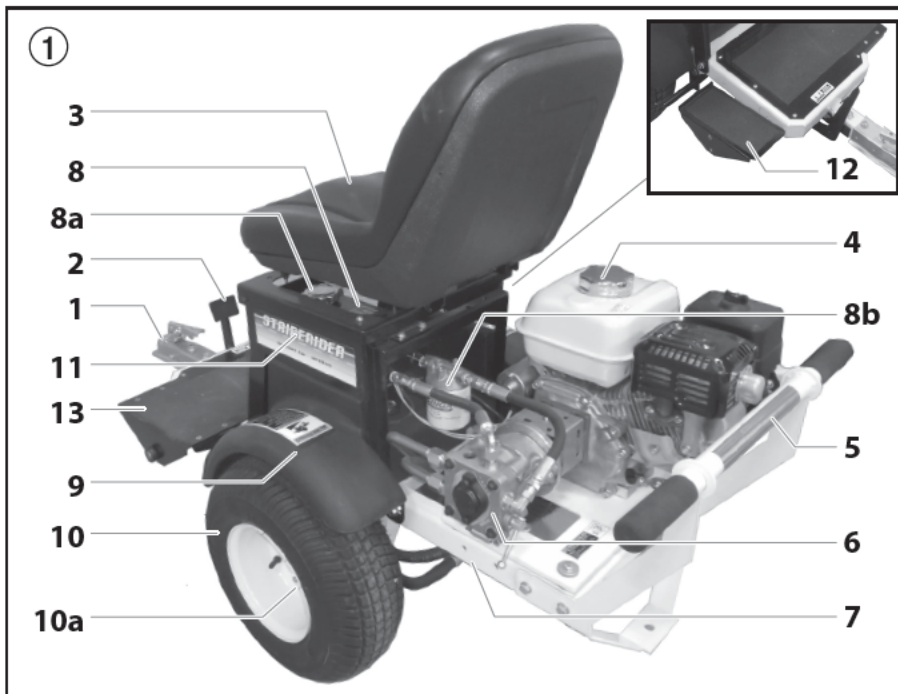
No se debe transportar el equipo LazyLiner con una grúa.

Datos técnicos

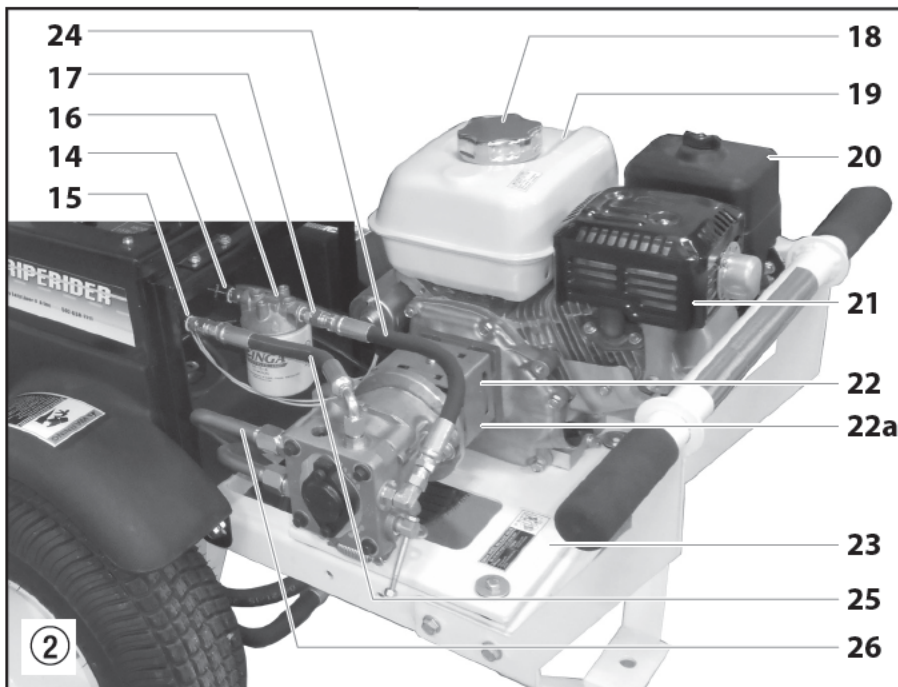
	LazyLiner Pro	LazyLiner Elite
Motor		
	Honda GX160, arranque manual mediante soga	Honda GX200, arranque eléctrico, 16A/200W
Tipo de aceite de motor		
	SAE 10-30W (0,6 l)	SAE 10-30W (0,6 l)
Peso		
	118 kg	127 kg
Dimensiones (L x A x A, asiento en posición elevada)		
	145 cm x 66 cm x 107 cm	157 cm (barra de tope instalada) x 74 cm x 107 cm
Velocidad máxima		
Adelante	0 a 16 km/h	0 a 16 km/h
Marcha atrás	0 a 11 km/h	0 a 11 km/h
Presión acústica		
	85 dB*	85 dB*
Nivel de vibración (con el equipo trazalíneas instalado)		
	< 2,5 m/s ² (izquierda y derecha)	< 2,5 m/s ² (izquierda y derecha)
Presión máx. de los neumáticos		
	1,7 bar	1,7 bar
Fabricación	<p>Toda la estructura y las protecciones, la barra de protección del motor y los guardabarros están fabricados de acero soldado y recubiertos con una capa pulverizada industrial</p>	
Transmisión	<p>Transmisiones hidrostáticas de hierro fundido para las operaciones hacia delante y marcha atrás</p> <p>Un acelerador (hacia delante y hacia atrás)</p> <p>Diferencial de transmisión de control de pista</p> <p>Transmisión por cadena de rodillo de doble fila</p> <p>Aceite sintético completo Mobil 1™ 15W50 (4 cuartos de galón)</p>	
Presión hidráulica de funcionamiento		
	186 bar	186 bar
Temperatura de funcionamiento	+10 °C y +40 °C	
Humedad relativa	50 %, a +40 °C (una humedad relativa mayor no supone un problema a temperaturas inferiores)	
Altitud de funcionamiento	Máx. 3.000 m sobre el nivel del mar	
Freno de estacionamiento	Freno de estacionamiento manual	
Enganche	Para instalación sobre equipos trazalíneas Titan y Graco	
Asiento	Respaldo alto, de lujo, tapizado, con control de comodidad ajustable y sensor de peso para apagado de seguridad	

* Medido a la altura de la posición del asiento.

Identificación de piezas y controles

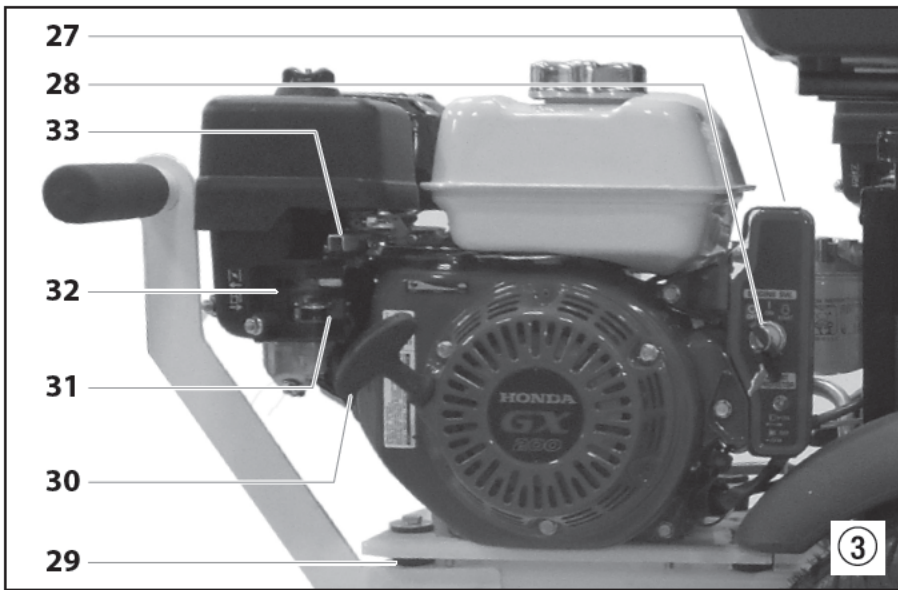


#	Pieza #	Descripción
1	0290647	Soporte de acoplamiento
2	0290648	Palanca de freno manual
3	0290675	Asiento
	0290173	Asiento safety switch
4	0537547A	Motor (GX200, se muestra el de arranque eléctrico, Elite)
	980-331A	Motor (GX160, solo modelo Pro)
5	0290646	Barra de tope (solo modelo Elite)
6	0290649	Bomba hidráulica BDP
7	0290650	Estructura principal
8	0290652	Tanque hidráulico, 4 cuartos
a	0290678	Tapa del tanque hidráulico
b	0290679	Filtro hidráulico
9	0290651	Guardabarros
10	0290676	Conjunto de rueda, modelo Elite (2)
	0290677	Conjunto de rueda, modelo Pro (2)
a	0290682	Tuercas de la rueda (4 por rueda)
11	0290653	Estructura del asiento
12	0290654	Pedal
13	0290656	Plataforma para pies
14	0290394	Niple, macho de NPT 1/4"

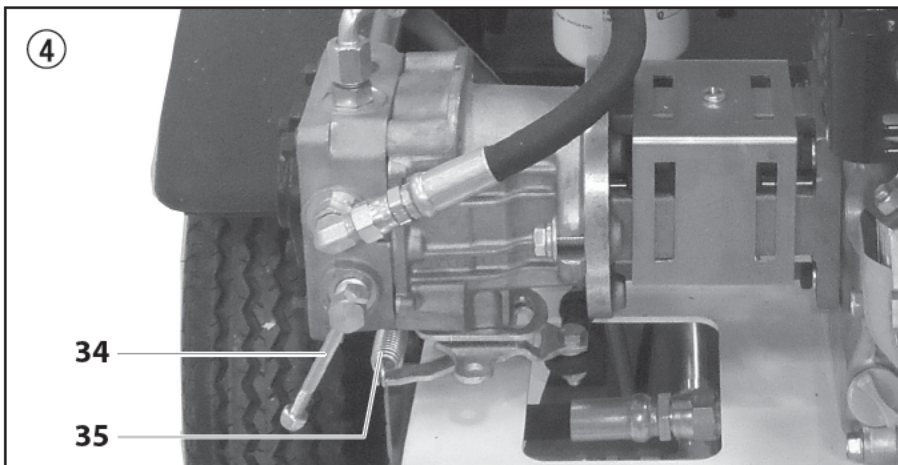


#	Pieza #	Descripción
15	0290396	Codo, 90°
16	0290657	Filtro de aceite y carcasa para filtro roscado
17	0290395	Codo, 90°
18	-----	Tapa de ventilación de gasolina
19	-----	Tanque de gasolina
20	-----	Filtro de aire
21	-----	Conjunto de silenciador
22	0290658	Carcasa de montaje de aluminio de la bomba
a	0290659	Acopladores Love-joy (se ubican dentro del elemento 22)
23	0290660	Montaje de motor en la estructura, con 8 bujes aisladores de vibración de goma
24	0290655	Tubería hidráulica de presión que va desde el filtro hasta la bomba
25	0290661	Tubería hidráulica de retorno desde la bomba BDP hasta el tanque
26	0290662	Tuberías sólidas de acero que conectan las mangueras del motor de la rueda a la bomba

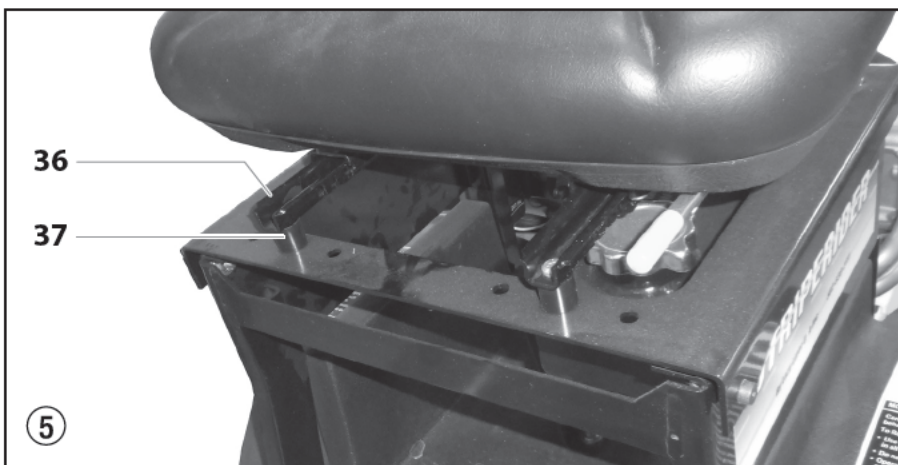
Identificación de piezas y controles



#	Pieza #	Descripción
27	-----	Rectificador para imán, (solo modelo Elite) Consulte el manual del motor
28	0290925	Interruptor con llave para unidad Elite (7 hp)
29	0290663	Bujes aisladores de vibración de goma para la placa del motor hasta la estructura
30	-----	Arranque manual mediante soga de retroceso (unidades Pro y Elite)
31	-----	Cierre de combustible
32	-----	Palanca de estrangulación
33	-----	Acelerador del motor (unidades Pro y Elite)

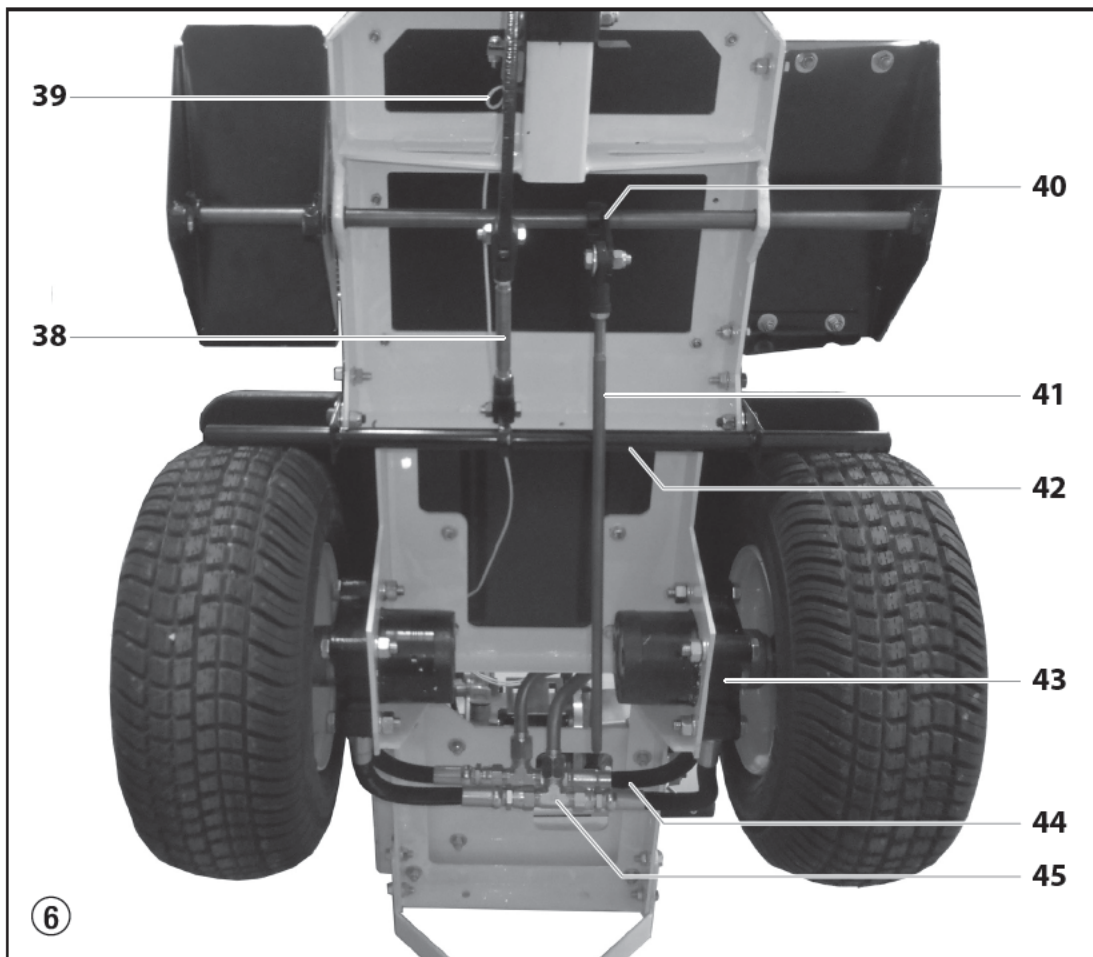


#	Pieza #	Descripción
34	-----	Válvula de liberación hidráulica, derivación Gire hacia la derecha para activar los elementos hidráulicos en la transmisión; suelte para desactivar (1/2 a 1 vuelta hacia la izquierda), neutro
35	0290665	Resorte y mecanismo RTN (retorno a neutro), conecta la articulación del pedal debajo de la estructura



#	Pieza #	Descripción
36	0290391	Soporte de ajuste del asiento (2)
37	0290392	Separador (4)

Идентификация деталей/органов управления



#	часть #	Описание
38	2405985	Ручной стояночный тормоз, нижняя часть поз. 2, которая обеспечивает включение данной системы
39	0290680	Жгут проводов, остановка двигателя
40	0290393	Концы соединительной штанги
41	0290670	Соединительная тяга, с помощью которой вал педалей подсоединяется к RTN на насосе BDP, (нар. диам. 7/16)
42	0290671	Запорная планка стояночного тормоза
43	0290672	Два гидромотора привода колес

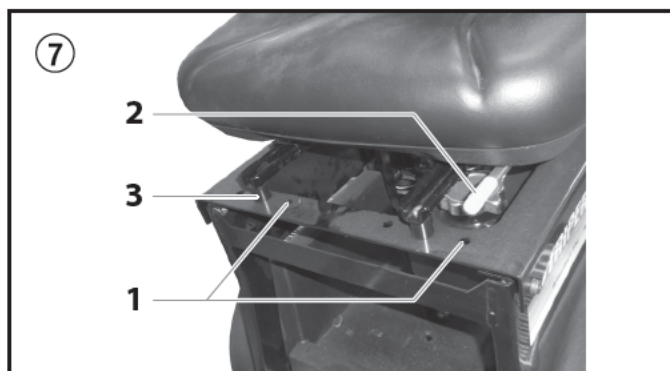
#	часть #	Описание
44	0290673	Гидравлические магистрали, соединяющие колесные гидромоторы со стальными магистралями на насосе, 4 в сумме, по две на каждый гидромотор
45	0290674	Тройники с наружной резьбой для подключения магистралей колесных гидромоторов к стальным магистралям от насоса
	0290681	Кабели аккумуляторной батареи, положительный и отрицательный (только модификация Elite, не показаны)

Регулировка положений сиденья

Регулируемое сиденье

Сиденье LazyLiner можно отрегулировать и расположить таким образом, чтобы обеспечить максимальный комфорт во время ежедневной эксплуатации. На рис. 7 показано сиденье в смещенном вправо положении.

1. Для перемещения сиденья влево/вправо отвернуть гайки под салазками сиденья и переместить салазки в другой комплект отверстий (рис. 7, поз. 1) на раме сиденья. Сиденье можно установить со смещением влево/вправо или посередине рамы.
2. С помощью рычага (2), расположенного под сиденьем с левой стороны, его можно перемещать вперед и назад. Потяните за рычаг и переместите сиденье в требуемое положение вперед или назад.
3. Проставки (3) можно установить или снять, чтобы отрегулировать сиденье вверх или вниз.



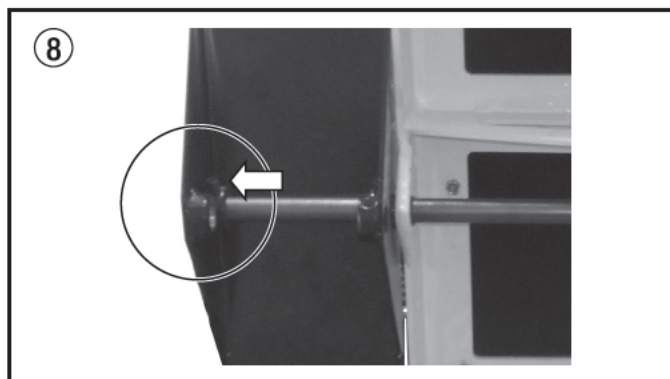
Регулируемая педаль

Педали акселератора (правая) LazyLiner может быть установлена под разными углами, а также в верхнее или нижнее положение. Эти регулировки позволят снизить усталость ноги и голеностопа, немного увеличить пространство для ног или сделать доступ к педали удобнее.

По умолчанию LazyLiner поставляется с педалью, установленной в НИЖНЕЕ положение.

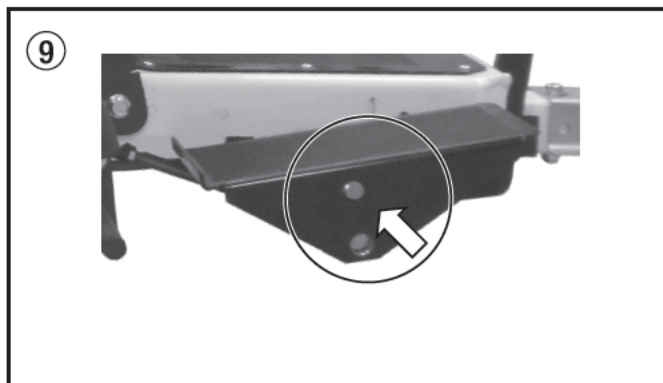
Для регулировки положения педали выполните следующие действия.

1. Найдите два установочных винта под педалью, которые крепят педаль на валу. Ослабьте указанные установочные винты с помощью шестигранного ключа.



i Если планируется изменять высоту педалей, то следует полностью снять установочные винты. Если планируется изменить только угол педали, но не изменять высоту, необходимо только ослабить установочные винты, но не снимать их полностью.

2. Когда установочные винты ослаблены/сняты, переместите педаль в требуемое угловое положение и положение по высоте. Чтобы переместить педаль в верхнее положение, установите вал педали в нижнее отверстие на педали.



3. Установите на место и/или затяните установочные винты, чтобы зафиксировать педаль.



Если установочные винты затянуты недостаточно, педали не соединятся с валом и дроссельная заслонка будет работать неправильно.

Настройка

Установка аккумуляторной батареи (только модификация Elite)

Комплект поставки LazyLiner модификации Elite не включает аккумуляторную батарею. Для использования электрического стартера ее необходимо приобрести отдельно.

1. См. руководство по двигателю Honda, поставляемое вместе с LazyLiner, для получения информации о требуемых характеристиках аккумуляторной батареи.
2. В отсеке под регулируемым сиденьем ослабьте болт крепления кронштейна аккумуляторной батареи к раме.
3. Установите аккумуляторную батарею и подключите кабели к соответствующим клеммам: красный кабель — к положительной (+) клемме; черный кабель — к отрицательной (-) клемме.
4. Закрепите кронштейн аккумуляторной батареи на боковой поверхности аккумуляторной батареи, чтобы зафиксировать ее по месту. Затяните болт кронштейна.

Установка сцепного устройства

1. Подсоедините сцепное устройство к задней части оборудования для нанесения полос. Соблюдайте требования отдельных инструкций, поставляемых вместе с LazyLiner.
2. Поднимите стопорный рычаг на кронштейне сцепки LazyLiner и поместите его поверх сцепного устройства. Подвесьте LazyLiner на оборудование для нанесения полос и убедитесь, что сцепка вошла в зацепление. Зафиксируйте сцепку с помощью болта и разрезного кольца.

Контрольный список перед началом эксплуатации

Выполните предэксплуатационные проверки следующим образом.

1. Для обеспечения безопасной работы убедитесь, что все компоненты правильно установлены.
2. Проверьте моторное масло.
3. Проверьте трансмиссионное масло.
4. Заправьте топливный бак неэтилированным бензином.
5. Проверьте давление в шинах.

Эксплуатация



Перед вводом оборудования в эксплуатацию внимательно изучите инструкции в руководстве по эксплуатации двигателей Honda.

1. Проверьте уровень моторного масла. Рекомендованный уровень масла и периодичность замены указаны в приложенном руководстве по двигателю. Двигатель обычно проходит предварительное испытание на заводе и поставляется с залитым маслом.
2. Проверьте уровень масла в трансмиссии, для чего необходимо снять заливную крышку с верхней части гидравлического бака. Уровень масла должен составлять 3/4–1 дюйм от верхней части бака.



Если уровень масла ниже нормы или требуется замена масла, всегда необходимо использовать полностью синтетическое масло Mobil 1™ 15W50. Запрещается использовать гидравлического масла в данной системе.

3. Снимите крышку топливного бака и залейте в него обычный неэтилированный бензин. Убедитесь, что рычаг отключения подачи топлива находится во включенном положении. Установите на место крышку бака.
4. Займите место на сиденье LazyLiner или включите стояночный тормоз.
5. Запустите двигатель:
 - A. Включите стояночный тормоз (см. рис. 1, поз. 2). Переведите рычаг вперед для включения тормоза.
 - B. Переведите топливный клапан в открытое положение, а воздушную заслонку — в закрытое (одинаковая процедура для модификаций с ручным стартером и электростартером).
 - B. Установите дроссельную заслонку в положение высоких оборотов и переведите выключатель зажигания двигателя в положение ON (ВКЛ.) (если используется ручной стартер).
 - Г. Потяните трос ручного стартера или выполните запуск при помощи переключателя с ключом.
 - Д. После запуска двигателя переведите рычаг дросселирования в рабочее положение и установите дроссельную заслонку в требуемое положение.



Запуск LazyLiner невозможен, если не включен стояночный тормоз или оператор не находится на сиденье. Если не включен стояночный тормоз или оператор не находится на сиденье, система защитного отключения не позволит запустить двигатель.

6. Возьмитесь за ручки и разблокируйте самоустанавливающееся колесо.
7. Используйте педали, наклонив их вперед (носком вниз) или назад (пятой вниз), в зависимости от требуемого направления движения. Поворот осуществляется путем использования устройства для нанесения полос и разблокировки самоустанавливающегося колеса.
8. Скорость движения LazyLiner (0–16 км/ч переднего хода и 0–11 км/ч заднего хода) определяется степенью нажатия педали.
Агрегат полностью остановится (быстро), если отпустить педали для возврата в центральное (нейтральное) положение. Гидравлическое давление создает тормозящее усилие, которое останавливает агрегат.



Если LazyLiner не перемещается, необходимо затянуть байпас гидравлического клапана сброса давления (см. рис. 4, поз. 34). Для включения привода поверните на 1/2–1 оборот по часовой стрелке, пока не возникнет сопротивление.



Когда LazyLiner не эксплуатируется или во время нахождения на нем необходимо ВСЕГДА включать стояночный тормоз.

Техобслуживание

Ознакомьтесь с приведенной ниже информацией, чтоб знать, какие типы техобслуживания должны выполняться на агрегате LazyLiner с предписанной периодичностью.



Для ознакомления с более подробными данными по обслуживанию двигателя и техническим характеристикам, см. отдельное Руководство по эксплуатации бензинового двигателя.

Ежедневно

- Проверьте уровень моторного масла и долийте при необходимости.
- Проверьте уровень трансмиссионного масла в бачке и долийте при необходимости. Масло и фильтр заменяют через каждые 650–700 ч эксплуатации.
- Проверьте топливо в баке и при необходимости долийте неэтилированный бензин.
- Проверьте шины и при необходимости доведите давление в них до 1,7 бар (25 фунтов/кв. дюйм).
- Протрите оборудование. Запрещается использовать для мытья струю воды из шланга.
- Проверьте и очистите воздушный фильтр. Замените при необходимости.

Еженедельно

- Нанесите небольшое количество консистентной смазки на внутреннюю часть шаровой сцепки.
- Проверьте надежность затяжки всех крепежных деталей. Затяните ослабленные болты и гайки.

Каждые 50 часов

- Замените свечу зажигания.
- Проверьте систему на отсутствие утечек масла из привода в сборе.

Каждые 100 часов

- Смажьте подшипники оси. Используйте молибденовую смазку, по два нажатия шприца для смазки в каждый подшипник. Сотрите с подшипников выступившую избыточную смазку.
- Слейте моторное масло. Залейте новое масло SAE 10W-30. См. спецификации производителя для определения класса по API.
- Проверьте уровень в бачке трансмиссионного масла. При необходимости долийте.
- Проверьте натяжение цепи и при необходимости сбросьте натяжение на промежуточных звездочках. Снимите крышку трансмиссии и проверьте приводной ремень. Заново отрегулируйте натяжение при необходимости.
- Для удаления скопившейся внутри крышки пыли используйте сжатый воздух.
- Переставляйте шины, чтобы обеспечить более равномерный износ и более длительный срок службы. По мере износа шин будет требоваться регулировка тормоза в сборе, чтобы обеспечить правильный контакт с шинами. Ослабьте два болта 3/8", которые крепят тормоз в сборе на раме. Легкими ударами сместите тормоз в сборе в сторону задней части на 1/8–1/4 дюйма. Заново затяните болты.

Способы устранения неисправностей

Тип неисправности	Возможные причины	Меры по устранению неисправности
А. Двигатель не запускается.	<ol style="list-style-type: none"> 1. Выключатель зажигания в положении OFF (ВЫКЛ.), отсутствует подача топлива, или низкий уровень масла. 2. Разряжена аккумуляторная батарея. 3. Стояночный тормоз не включен. 4. Не занято сиденья водителя, датчик не срабатывает. 	<ol style="list-style-type: none"> 1. См. руководство по двигателю. 2. Потяните шнур ручного стартера. 3. Включите стояночный тормоз. 4. Сядьте в кресло водителя.
Б. Двигатель разгоняется до высокой частоты вращения или отключается по время работы.	<ol style="list-style-type: none"> 1. Износ рычага дроссельной заслонки, регулятор оборотов. 	<ol style="list-style-type: none"> 1. См. руководство по двигателю.
В. Двигатель работает, но LazyLiner не перемещается ни вперед, ни назад.	<ol style="list-style-type: none"> 1. Низкий уровень гидравлического масла. 2. Неправильная регулировка педали акселератора. 3. Ослабление крепления концов соединительной штанги на поперечном валу сдвоенных педалей. 4. Включен стояночный тормоз. 5. Байпас гидравлического клапана сброса давления открыт. 	<ol style="list-style-type: none"> 1. Залейте гидравлическое масло. 2. Затяните установочные винты под педалями, чтобы зафиксировать вал педалей. 3. Убедитесь, что концы соединительной штанги (см. рис. 6, поз. 40) зафиксированы на поперечном валу сдвоенных педалей. 4. Отключите стояночный тормоз. 5. Закройте байпас гидравлического клапана сброса давления.
Г. Двигатель работает, LazyLiner медленно перемещается передним или задним ходом.	<ol style="list-style-type: none"> 1. Низкий уровень гидравлического масла. 2. Неправильная регулировка педали акселератора. 3. Ослабление крепления концов соединительной штанги на поперечном валу сдвоенных педалей. 4. Включен стояночный тормоз. 5. Байпас гидравлического клапана сброса давления открыт. 	<ol style="list-style-type: none"> 1. Залейте гидравлическое масло. 2. Затяните установочные винты под педалями, чтобы зафиксировать вал педалей. 3. Убедитесь, что концы соединительной штанги (см. рис. 6, поз. 40) зафиксированы на поперечном валу сдвоенных педалей. 4. Отключите стояночный тормоз. 5. Закройте байпас гидравлического клапана сброса давления.
Д. Включен стояночный тормоз, двигатель продолжает работать после того, как оператор вышел из LazyLiner.	<ol style="list-style-type: none"> 1. Неисправность защитного переключателя. 2. Стояночный тормоз не затормаживает колеса. 	<ol style="list-style-type: none"> 1. Свяжитесь со службой поддержки пользователей Titan. 2. Отрегулируйте стояночный тормоз согласно инструкциям по техобслуживанию (см. последнюю позицию в списке «Каждые 100 часов», предыдущая страница).
Е. Перебои в работе двигателя при прохождении поворотов и изменении направления движения.	<ol style="list-style-type: none"> 1. Низкий уровень моторного масла. 	<ol style="list-style-type: none"> 1. Долейте масло до требуемого уровня.
Ж. Двигатель работает короткое время и останавливается.	<ol style="list-style-type: none"> 1. Засорение топливной системы. 	<ol style="list-style-type: none"> 1. См. руководство по двигателю.
З. LazyLiner продолжает перемещаться после включения стояночного тормоза.	<ol style="list-style-type: none"> 1. Стояночный тормоз не затормаживает колеса. 	<ol style="list-style-type: none"> 1. Отрегулируйте стояночный тормоз согласно инструкциям по техобслуживанию (см. последнюю позицию в списке «Каждые 100 часов», предыдущая страница).

Если после выполнения указанных действий неисправности не устраняются, свяжитесь со службой технической поддержки Titan по тел.: 1-800-526-5362.

Índice

Segurança	90
Dados técnicos	91
Identificação de peças/controles	92-94
Recursos de conforto ajustáveis	95
Configuração	95
Lista de verificação de operação	95
Operação	96
Manutenção	96
Solução em caso de falhas	97
Garantia	101

Segurança

Este manual contém informações que devem ser lidas e entendidas antes de usar o equipamento. Ao chegar a uma seção com um dos símbolos a seguir, preste atenção especial e não deixe de observar a instrução.

É essencial que você leia e observe todas as instruções no manual de operação dos motores Honda e do equipamento Titan LazyLiner.

	Este símbolo indica um risco em potencial que pode causar ferimentos graves ou morte. Serão apresentadas importantes informações de segurança.
 Atenção	Este símbolo indica um risco em potencial para você ou o equipamento. Serão apresentadas importantes informações para evitar danos ao equipamento e causas de pequenos ferimentos.
	Observações fornecem informações importantes que devem receber atenção especial.

Trabalho ou reparos no equipamento elétrico:

Os serviços devem ser realizados somente por um electricista qualificado. Não assumimos nenhuma responsabilidade pela instalação incorreta.

Transporte e armazenamento

Este equipamento suporta e tem proteção para temperaturas de transporte e armazenamento de -25 °C a +55 °C e, em curtos períodos, de até +70 °C.

O equipamento foi embalado para evitar danos causados pelos efeitos de umidade, vibração e impacto normais.



RISCO DE VEÍCULO EM MOVIMENTO

Comportamento descuidado e negligente causa acidentes. Cair do veículo, colidir com pessoas ou objetos, ou ser atingido por outros veículos pode resultar em lesões graves ou morte.

PREVENÇÃO:

- Ao subir no LazyLiner, não pise no pedal para frente/ré.
- Faça curvas lentamente, limitando-se a curvas de no máximo 45°.
- Não opere em inclinações superiores a 15°.
- Tenha cuidado ao dirigir em descidas extremas e inclinações de pista, para evitar perda de tração.
- Não leve passageiros.
- Não reboque sem o conjunto de reboque e limite a carga.
- Siga todos os regulamentos locais de estradas e transportes.
- Não opere o equipamento sem iluminação adequada.

- Somente opere o equipamento sobre superfícies limpas e sólidas.



RISCO DE QUEIMADURA

Para evitar queimaduras severas, evite equipamento ou líquidos quentes. Aguarde até que o equipamento/líquido tenha resfriado totalmente. Não coloque materiais inflamáveis (por exemplo, panos molhados de óleo) sobre o motor.



RISCO DE MONÓXIDO DE CARBONO

A inalação de monóxido de carbono pode levar à morte. Não opere em uma área fechada.



EQUIPAMENTO DE PROTEÇÃO PESSOAL

Use o equipamento de proteção apropriado ao operar ou realizar manutenção no equipamento, para ajudar a protegê-lo contra lesões graves:

PREVENÇÃO:

- Use proteções para os olhos.
- Use roupas e respirador recomendados pelo fabricante do material de pulverização.
- Use sapatos com pontas de aço.
- Use luvas.
- Use proteção auricular.



RISCO DE INCÊNDIO E EXPLOSÃO

Vapores inflamáveis na área de trabalho, como vapores de solventes e de tintas, podem se inflamar ou explodir.



PREVENÇÃO:

- Use o equipamento em uma área bem-ventilada.
- Não abasteça o tanque de combustível enquanto o motor estiver em funcionamento ou quente.
- Elimine todas as fontes de ignição quando houver a presença de vapores inflamáveis.
- Mantenha a área de trabalho livre de detritos.
- Caso haja faíscas de estática, ou caso sinta um choque, interrompa a operação imediatamente.
- Mantenha um extintor de incêndio na área de trabalho.



ARMAZENAMENTO

Não deixe o LazyLiner ao ar livre sem proteção. Ele deve ser armazenado em um local seco.



TRANSPORTE

O LazyLiner não deve ser preso a um engate de reboque em um veículo motorizado para transporte. Deve-se transportar o LazyLiner somente em um reboque de leito plano ou outro veículo de transporte (ou seja, uma picape) depois de prendê-lo firmemente.

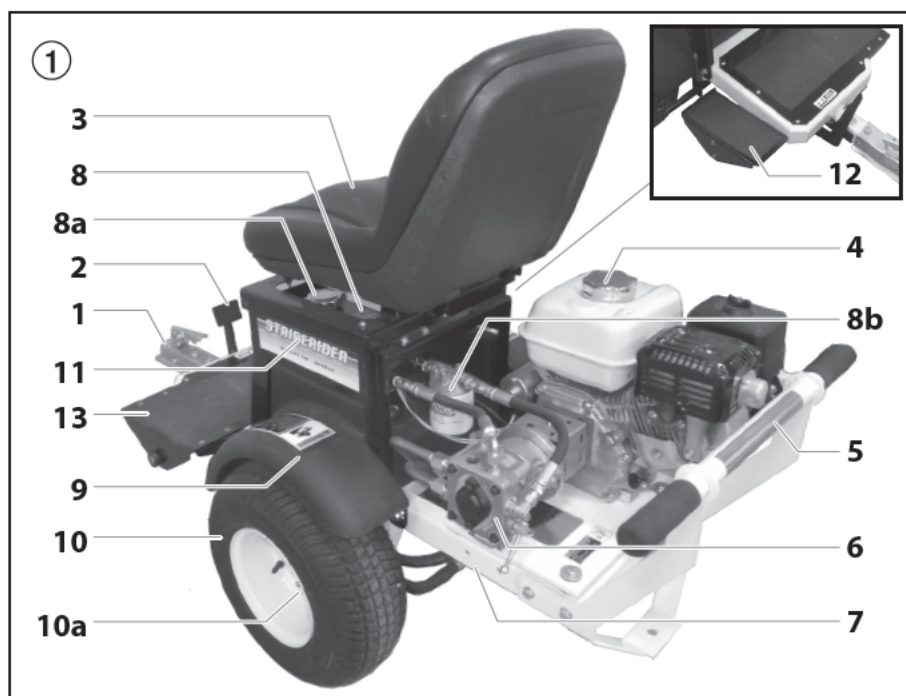
Perigo de esmagamento! São necessárias várias pessoas para carregar ou descarregar o LazyLiner. Não se deve transportar o LazyLiner com um guindaste.

Dados técnicos

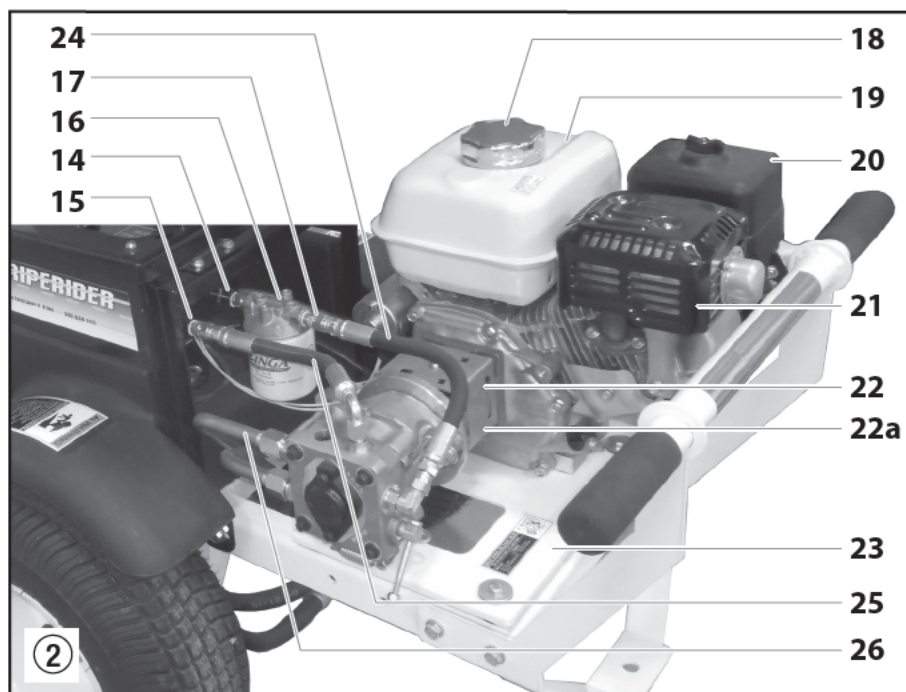
	LazyLiner Pro	LazyLiner Elite
Motor		
	Honda GX160, partida manual	Honda GX200, partida elétrica, 16 A/200 W
Tipo de óleo do motor		
	SAE10-30W (0,6 l)	SAE10-30W (0,6 l)
Peso		
	118 kg	127 kg
Dimensões (C x L x A, assento na posição elevada)		
	145 cm x 66 cm x 107 cm	157 cm (bumper bar installed) x 74 cm x 107 cm
Velocidade máxima		
Para frente	0-16 KM/h	0-16 KM/h
Ré	0-11 KM/h	0-11 KM/h
Pressão sonora		
	85 dB*	85 dB*
Nível de vibração (com o equipamento de marcação de linhas anexado)		
	< 2,5 m/s ² (lados direito e esquerdo)	< 2,5 m/s ² (lados direito e esquerdo)
Pressão máx. dos pneus		
	25 PSI (1.7 bar)	25 PSI (1.7 bar)
Construção	Toda a construção do chassi e as proteções são de aço soldado, e a barra de proteção do motor e os para-choques de aço têm revestimento em pó industrial	
Acionamento	Transmissão hidrostática em ferro fundido para operações para a frente e à ré Um pedal de aceleração (para frente/para trás) Diferencial da transmissão de controle de trilha Corrente de acionamento de rolo de fileira dupla Óleo totalmente sintético Mobil 1™ 15W50 (4 quartos)	
Pressão operacional hidráulica		
	2700 PSI (186 bar)	2700 PSI (186 bar)
Temperatura operacional	+10 °C e +40 °C (+50 °F e +104 °F)	
Umidade relativa	50%, a +40 °C (+104 °F) (Uma umidade relativa maior não apresenta problema a temperaturas inferiores.)	
Altitude operacional	máx. 3000 m (9843') acima do nível do mar	
Freio de estacionamento	Freio de estacionamento manual	
Engate	Para instalação em equipamentos de marcação de linhas Titan e Graco	
Assento	Encosto alto de luxo, estofado, com controle ajustável de conforto e sensor de peso para desligamento de segurança	

* Medido na altura da posição do assento.

Identificação de peças/controles



#	Peças #	Descrição	
1	0290647	Suporte do acoplador	
2	0290648	Alavanca de freio manual	
3	0290675	Assento	
	0290173	Interruptor de segurança do assento (não é exibido)	
4	0537547A	Motor (GX200, é exibido com partida elétrica)	
	980-331A	Motor (GX160, somente Pro)	
5	0290646	Para-choque (somente Elite)	
6	0290649	Bomba BDP hidráulica	
7	0290650	Chassi principal	
8	0290652	Tanque hidráulico, 4 quartos	
	a	0290678	Tampa do tanque hidráulico
	b	0290679	Filtro hidráulico
9	0290651	Para-lama	
10	0290676	Conjunto da roda, Elite (2)	
	0290677	Conjunto da roda, Pro (2)	
a	0290682	Porcas de roda (4 por roda)	
11	0290653	Estrutura do assento	
12	0290654	Pedal	
13	0290656	Base para os pés	

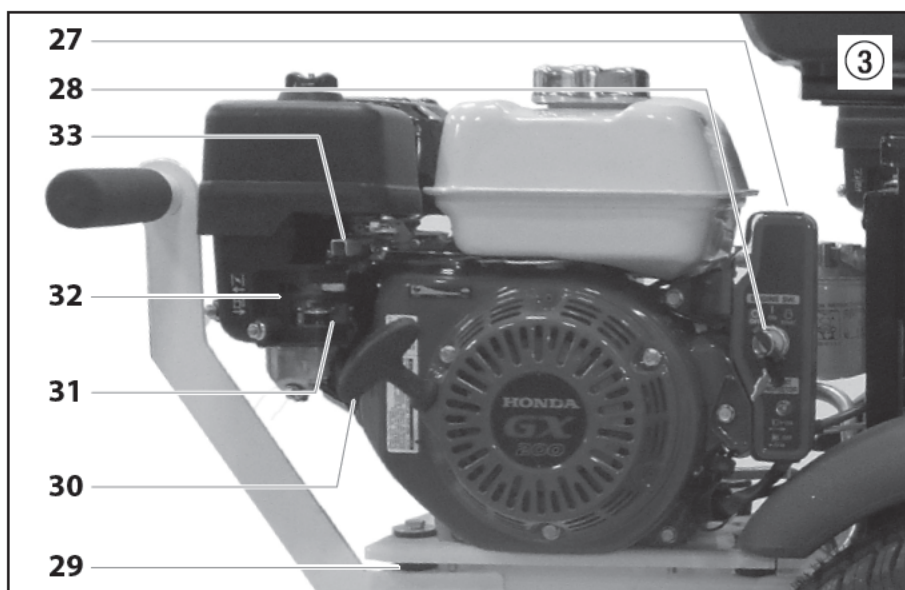


#	Peças #	Descrição
14	0290394	Bocal, 1/4" NPT macho
15	0290396	Cotovelo, 90°
16	0290657	Filtro de óleo e alojamento rotatório
17	0290395	Cotovelo, 90°
18	-----	Tampa de gasolina ventilada
19	-----	Tanque de gasolina
20	-----	Filtro de ar
21	-----	Conjunto do silenciador
22	0290658	Alojamento da montagem da bomba de alumínio
	a	0290659
23	0290660	Montagem do motor no chassi, com 8 buchas de borracha isoladoras de vibração
24	0290655	Linha hidráulica de pressão do filtro para a bomba
25	0290661	Linha hidráulica de retorno da bomba BDP para o tanque
26	0290662	Linhas rígidas de aço que conectam as mangueiras do motor de roda à bomba

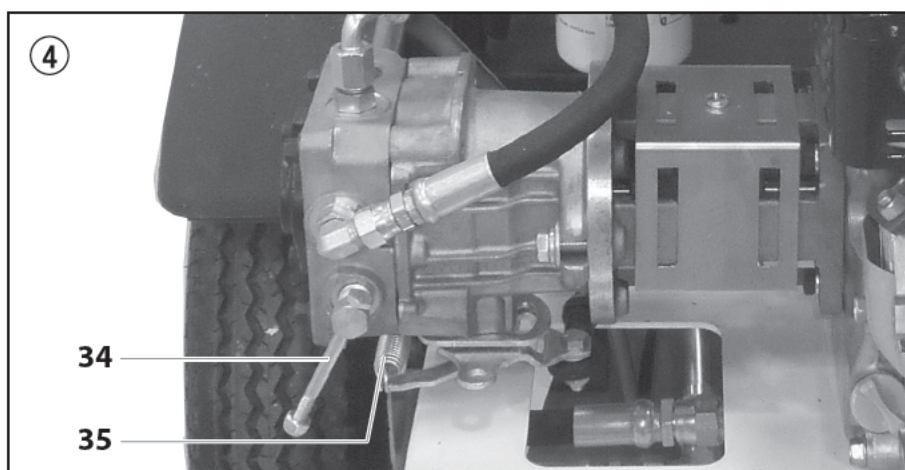


Todas as peças de serviço do motor Honda relacionadas são disponibilizadas somente pelo centro de serviço Honda.

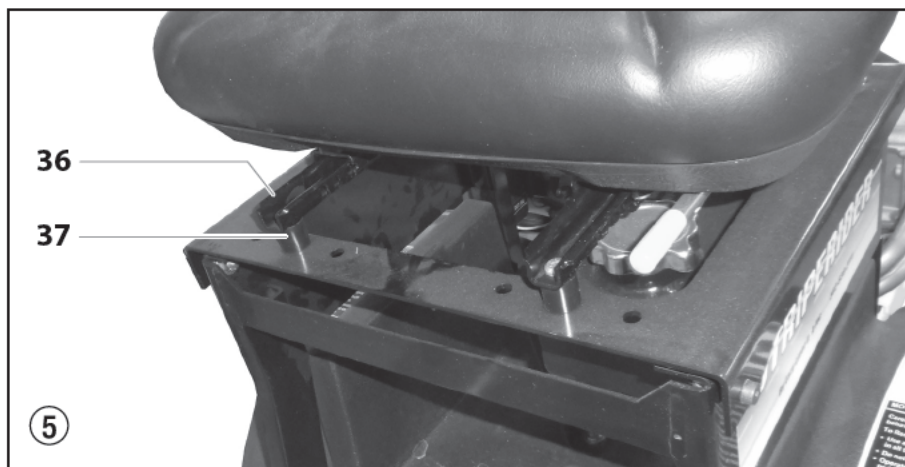
Identificação de peças/controles



#	Peças #	Descrição
27	-----	Retificador de magneto (somente Elite). Consulte o manual do motor
28	0290925	Interruptor de chave para unidade Elite (7 hp)
29	0290663	Buchas isoladoras de borracha para fixar placa do motor ao chassi
30	-----	Partida manual (unidades Pro e Elite)
31	-----	Corte do combustível
32	-----	Alavanca do afogador
33	-----	Regulador do motor (unidades Pro e Elite)

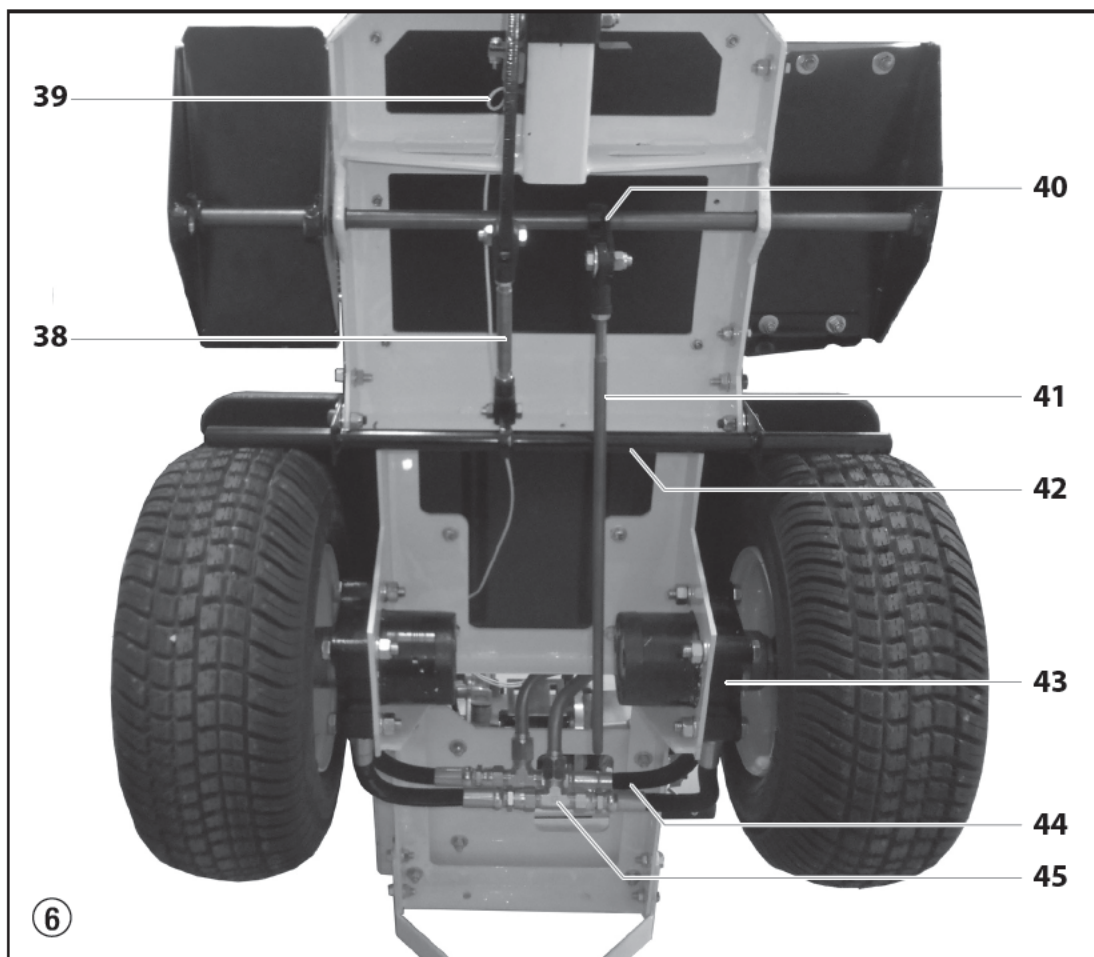


#	Peças #	Descrição
34	-----	Válvula de liberação hidráulica, derivação. Gire no sentido horário para colocar a parte hidráulica em acionamento; solte (de meia a uma volta no sentido anti-horário) para desengatar, em neutro.
35	0290665	Mola e mecanismo RTN (retorno ao neutro), conecta-se à ligação do pedal sob o chassi.



#	Peças #	Descrição
36	0290391	Suporte de ajuste do assento (2)
37	0290392	Espaçador (4)

Identificação de peças/controles



#	Peças #	Descrição
38	2405985	Sistema de freio de estacionamento de operação manual, porção inferior do item nº 2 que engata este sistema
39	0290680	Chicote elétrico, parada do motor
40	0290393	Extremidades da biela
41	0290670	Haste de ligação, conecta o eixo do pedal ao RTN na bomba BDP (7/16 OD)
43	0290671	Barra de travamento do freio de estacionamento
43	0290672	Motores de rodas de acionamento hidráulico duplo

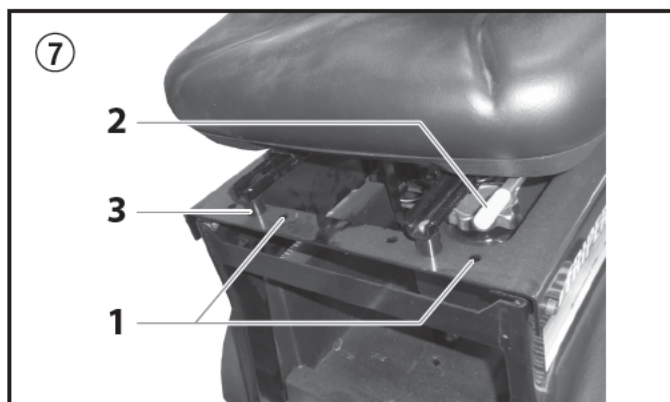
#	Peças #	Descrição
44	0290673	Linhas hidráulicas que conectam motores de roda a linhas rígidas de aço na bomba, 4 no total, dois por motor de roda
45	0290674	Conexões macho em T de 3 vias para conectar as linhas do motor de roda às linhas rígidas de aço da bomba
	0290681	Cabos de bateria, positivos e negativos (somente Elite, não exibidos).

Recursos de conforto ajustáveis

Assento ajustável

O assento de sua unidade LazyLiner pode ser ajustado e posicionado para proporcionar um maior nível de conforto para sua operação diária, caso necessário. A Figura 7 mostra o assento posicionado para o lado direito.

1. Para alterar a posição do lado esquerdo/direito do assento, remova as porcas abaixo das faixas do assento e alinhe as faixas com um conjunto diferente de orifícios (Fig. 7, item 1) na estrutura do assento. O assento pode ser posicionado para o lado direito ou esquerdo, ou no meio de sua estrutura.
2. O assento pode ser ajustado de trás para frente com a alavanca manual (2) sob o lado esquerdo do assento. Empurre a alavanca e ajuste o assento para trás ou para frente até a posição desejada.
3. Os espaçadores (3) podem ser instalados ou removidos para ajustar o assento para cima ou para baixo.



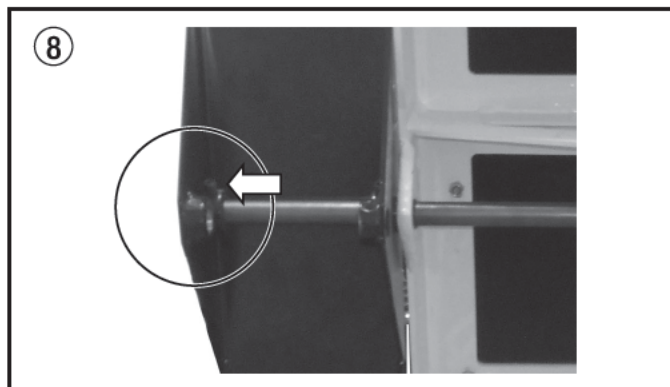
Pedal ajustável

O pedal do acelerador (pedal da direita) no LazyLiner pode ser ajustado para vários ângulos, bem como ajustado nas posições para cima ou para baixo. O uso desses recursos pode ajudar a reduzir a fadiga nos pés e tornozelos, ou aumentar um pouco o espaço para as pernas ou a altura para ajudar a alcançar melhor o pedal.

O LazyLiner é enviado de fábrica com o pedal na posição PARA BAIXO.

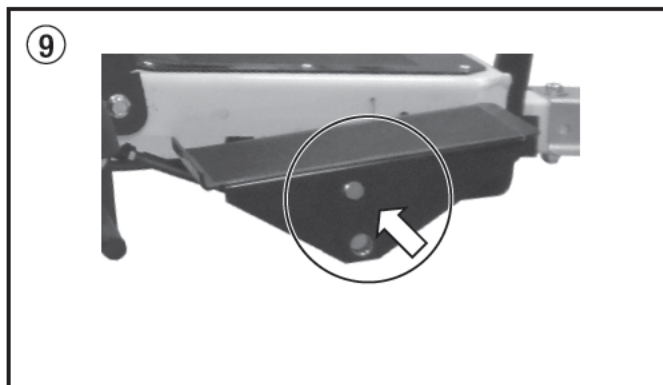
Siga estas instruções para ajustar a posição do pedal do acelerador.

1. Localize os dois parafusos de fixação abaixo do pedal que prendem o pedal ao eixo. Solte os parafusos de fixação com uma chave sextavada.



Caso queira alterar a altura dos pedais, remova totalmente os parafusos de fixação. Caso queira apenas ajustar o ângulo do pedal, mas não sua altura, é necessário apenas soltar os parafusos e não removê-los completamente.

2. Enquanto os parafusos de fixação estão soltos/removidos, reposicione o pedal para a altura e ângulo desejados. Para colocar o pedal na posição UP, passe o eixo do pedal através do orifício inferior no pedal.



3. Substitua e/ou aperte os parafusos de fixação para prender o pedal.



Se os parafusos de fixação não forem apertados suficientemente, os pedais não engatarão no eixo de pedal, e o regulador não funcionará corretamente.

Configuração

Instalar a bateria (somente Elite)

O LazyLiner Elite não inclui uma bateria. É necessário comprar uma separadamente antes de usar, a fim de que a partida elétrica funcione.

1. Consulte as especificações da bateria apropriada no manual do motor Honda incluído com o LazyLiner.
2. No compartimento abaixo do assento ajustável, solte o parafuso que prende o suporte da bateria ao chassi.
3. Instale a bateria e ligue seus cabos aos terminais apropriados: vermelho no terminal positivo (+), preto no terminal negativo (-).
4. Prenda o suporte da bateria à lateral da bateria para mantê-lo no lugar. Aperte o parafuso do suporte para firmar.

Instalar o engate de reboque

1. Instale o engate de reboque à traseira do equipamento de marcação de linhas. Siga as instruções separadas incluídas com o LazyLiner.
2. Levante a alavanca de trava no suporte do acoplador do LazyLiner e coloque-a sobre o engate de reboque. Pendure o LazyLiner no equipamento de marcação e certifique-se de que o engate foi preso. Prenda o engate com parafuso e fenda.

Lista de verificação de operação

Revise a verificação pré-operação da seguinte maneira:

1. Verifique novamente se todos os componentes estão instalados corretamente para garantir a operação segura
2. Verifique o óleo do motor.
3. Verifique o óleo da transmissão.
4. Abasteça o tanque com gasolina sem chumbo.
5. Verifique a pressão dos pneus.

Operação



Antes de colocar o equipamento em operação, leia atentamente as instruções no manual de operação dos motores Honda.

1. Verifique o nível de óleo do motor. Consulte o manual do motor fornecido para saber sobre o nível de óleo e a manutenção recomendados. O motor geralmente vem de fábrica pré-testado e abastecido com óleo.
2. Verifique o nível de óleo de transmissão na unidade removendo a tampa de abastecimento no topo do tanque hidráulico. O nível de óleo deve estar a 3/4 a 1 polegada de distância do topo do tanque.



Atenção

Caso o nível de óleo esteja baixo ou seja necessário trocá-lo, use sempre óleo totalmente sintético Mobil 1™, 15W50. Nunca use “óleo hidráulico” no sistema.

3. Remova a tampa de gasolina e abasteça o tanque com gasolina regular sem chumbo, certificando-se de que a alavanca de corte de combustível esteja na posição ativada. Recoloque a tampa de gasolina.
4. Sente-se no LazyLiner ou engate o freio de estacionamento.
5. Dê partida no motor:
 - a. Engate o freio de estacionamento (consulte a Figura 1, item 2). Empurre o braço para frente para engatar o freio.
 - b. Mova a válvula de combustível para a posição aberta e a válvula de mistura para a posição fechada (o mesmo em unidades com partida elétrica ou manual)
 - c. Coloque o regulador na posição alta e ligue o interruptor do motor (na unidade de partida elétrica)
 - d. Puxe a corda do motor ou ative o interruptor da chave
 - e. Após a partida do motor, mova o afogador para a posição de operação e coloque o regulador na posição desejada.



Somente é possível dar partida na unidade LazyLiner quando o freio de estacionamento está engatado ou o operador está na posição sentada. Se o freio não estiver engatado, ou se você não estiver sentado, o sistema do interruptor de segurança não permitirá a partida do motor.

6. Segure os manetes e aperte a liberação das rodas de rodízio.
7. Opere os pedais em movimento para a frente (pontas para baixo) ou à ré (calcanhar para baixo), o que for necessário. Para girar as unidades, use o marcador e solte a roda do rodízio.
8. Para alcançar a velocidade desejada do LazyLiner (0-16 km/h para frente, 0-11 km/h à ré), pressione com maior ou menor força no conjunto do pedal.

A unidade realizará uma parada completa (rapidamente) quando você permitir que os pedais retornem à posição central ou neutra. A pressão hidráulica cria o recurso de parada ou frenagem para parar a unidade.



Se o LazyLiner não se mover, será necessário apertar a derivação da válvula de liberação hidráulica (consulte a Figura 4, item 34). Gire de meia a uma volta no sentido horário até apertar, para engatar o acionamento.



SEMPRE engate o freio de estacionamento quando não estiver operando o LazyLiner nem estiver sobre ele.

Manutenção

Veja abaixo qual tipo de manutenção deve ser realizado em seu LazyLiner em determinados intervalos de uso.



Para obter detalhadas especificações técnicas e de manutenção do motor, consulte o manual separado do motor a gasolina.

Diariamente:

- Verifique o nível de óleo do motor e abasteça, se necessário.
- Verifique o nível do reservatório de óleo da transmissão e abasteça, se necessário. O óleo e o filtro devem ser trocados a cada 650-700 horas de serviço.
- Verifique e abasteça o tanque de gasolina com gasolina regular sem chumbo.
- Verifique os pneus e calibre até 1,7 bar (25 psi), se necessário
- Limpe o equipamento com um pano – nunca use uma mangueira de água para lavar.
- Verifique e limpe o limpador de ar. Substitua-o quando necessário

Após as primeiras 20 horas:

- Drene o óleo do motor e reabasteça com óleo SAE 10W-30. Consulte a classificação de API nas especificações do fabricante.

Semanalmente:

- Acrescente uma pequena quantidade de graxa ao acoplador de esfera dentro da área da esfera.
- Verifique a integridade de todas as peças. Aperte os parafusos ou porcas que estiverem soltos.

A cada 50 horas:

- Substitua a vela de ignição.
- Inspeção o sistema para ver se há vazamento de óleo do conjunto de acionamento.

A cada 100 horas:

- Lubrifique os rolamentos de eixo – Graxa do tipo molibidênio, duas bombeadas de uma pistola de graxa. Remova o excesso de graxa dos rolamentos.
- Drene o óleo do motor e reabasteça com óleo SAE 10W-30. Consulte a classificação de API nas especificações do fabricante.
- Verifique o reservatório da transmissão e reabasteça, se necessário.
- Verifique a tensão da corrente e restabeleça a tensão na engrenagem da polia intermediária, se necessário. Remova a tampa da transmissão e verifique a correia de acionamento. Reaplique a tensão, se necessário.
- Use uma fonte de ar para remover a poeira acumulada no interior da tampa.
- Faça o rodízio dos pneus para que o desgaste seja mais uniforme e a vida útil seja mais longa. Conforme os pneus se desgastam, é necessário ajustar o conjunto de freio para garantir o contato apropriado com os pneus. Solte os dois parafusos de 3/8” que prendem o conjunto de freio ao chassi. Empurre a montagem do conjunto de freio para a traseira da unidade, de 1/8 a 1/4 polegada. Aperte novamente os parafusos.

Solução em caso de falhas

Tipo de defeito	Possível causa	Medidas para eliminar o defeito
A. O motor não dá partida.	<ol style="list-style-type: none"> 1. Interruptor do motor desligado, ausência de gasolina ou óleo baixo. 2. Bateria esgotada. 3. Freio de estacionamento não está engatado. 4. Não há ninguém no assento do motorista, o sensor não é disparado. 	<ol style="list-style-type: none"> 1. Consulte o manual do motor. 2. Puxe o cabo de arranque. 3. Engate o freio de estacionamento. 4. Sente-se no assento do motorista.
B. O motor avança para alta rotação, ou para durante a operação.	<ol style="list-style-type: none"> 1. Alavanca, controlador do regulador desgastado. 	<ol style="list-style-type: none"> 1. Consulte o manual do motor.
C. O motor funciona, mas o LazyLiner não se move para a frente nem para trás.	<ol style="list-style-type: none"> 1. Óleo hidráulico baixo. 2. O pedal acelerador foi ajustado incorretamente. 3. As extremidades da biela no eixo transversal dos dois pedais estão soltas. 4. Freio de estacionamento está engatado. 5. A derivação da válvula de liberação hidráulica está aberta. 	<ol style="list-style-type: none"> 1. Abasteça com óleo hidráulico. 2. Prenda os parafusos de fixação abaixo dos pedais para firmar o eixo do pedal. 3. Certifique-se de que as extremidades da biela (veja a Figura 6, item 40) estejam presas ao eixo transversal dos dois pedais. 4. Solte o freio de estacionamento. 5. Feche a derivação da válvula de liberação hidráulica.
D. O motor funciona, e o LazyLiner se move lentamente para a frente ou para trás.	<ol style="list-style-type: none"> 1. Óleo hidráulico baixo. 2. O pedal acelerador foi ajustado incorretamente. 3. As extremidades da biela no eixo transversal dos dois pedais estão soltas. 4. Freio de estacionamento está engatado. 5. A derivação da válvula de liberação hidráulica está aberta. 	<ol style="list-style-type: none"> 1. Abasteça com óleo hidráulico. 2. Prenda os parafusos de fixação abaixo dos pedais para firmar o eixo do pedal. 3. Certifique-se de que as extremidades da biela (veja a Figura 6, item 40) estejam presas ao eixo transversal dos dois pedais. 4. Solte o freio de estacionamento. 5. Feche a derivação da válvula de liberação hidráulica.
E. Com o freio de estacionamento engatado, o motor continua funcionando quando o operador sai do LazyLiner.	<ol style="list-style-type: none"> 1. Defeito no interruptor de segurança. 2. Freio de estacionamento não está engatando nos pneus. 	<ol style="list-style-type: none"> 1. Entre em contato com o atendimento ao cliente da Titan. 2. Ajuste o freio de estacionamento segundo as instruções de manutenção (consulte o último marcador, "A cada 100 horas", na página anterior).
F. Ocorre falha de ignição durante curvas e trocas entre movimento para a frente e à ré.	<ol style="list-style-type: none"> 1. Óleo do motor baixo. 	<ol style="list-style-type: none"> 1. Abasteça até o nível de óleo correto.
G. O motor funciona por um breve período e depois para.	<ol style="list-style-type: none"> 1. Restrição do fluxo de combustível. 	<ol style="list-style-type: none"> 1. Consulte o manual do motor.
H. O LazyLiner ainda se move após o engate do freio de estacionamento.	<ol style="list-style-type: none"> 1. Freio de estacionamento não está engatando nos pneus. 	<ol style="list-style-type: none"> 1. Ajuste o freio de estacionamento segundo as instruções de manutenção (consulte o último marcador, "A cada 100 horas", na página anterior).

Caso ainda esteja tendo problemas depois de seguir essas etapas, entre em contato com o Serviço Técnico da Titan no número 1-800-526-5362

Warranty

Titan Tool, Inc., ("Titan") warrants that at the time of delivery to the original purchaser for use ("End User"), the equipment covered by this warranty is free from defects in material and workmanship. With the exception of any special, limited, or extended warranty published by Titan, Titan's obligation under this warranty is limited to replacing or repairing without charge those parts which, to Titan's reasonable satisfaction, are shown to be defective within twelve (12) months after sale to the End User. This warranty applies only when the unit is installed and operated in accordance with the recommendations and instructions of Titan.

This warranty does not apply in the case of damage or wear caused by abrasion, corrosion or misuse, negligence, accident, faulty installation, substitution of non-Titan component parts, or tampering with the unit in a manner to impair normal operation.

Defective parts are to be returned to an authorized Titan sales/service outlet. All transportation charges, including return to the factory, if necessary, are to be borne and prepaid by the End User. Repaired or replaced equipment will be returned to the End User transportation prepaid.

THERE IS NO OTHER EXPRESS WARRANTY. TITAN HEREBY DISCLAIMS ANY AND ALL IMPLIED WARRANTIES INCLUDING, BUT NOT LIMITED TO, THOSE OF MERCHANTABILITY AND FITNESS FOR A PARTICULAR PURPOSE, TO THE EXTENT PERMITTED BY LAW. THE DURATION OF ANY IMPLIED WARRANTIES WHICH CANNOT BE DISCLAIMED IS LIMITED TO THE TIME PERIOD SPECIFIED IN THE EXPRESS WARRANTY. IN NO CASE SHALL TITAN LIABILITY EXCEED THE AMOUNT OF THE PURCHASE PRICE. LIABILITY FOR CONSEQUENTIAL, INCIDENTAL OR SPECIAL DAMAGES UNDER ANY AND ALL WARRANTIES IS EXCLUDED TO THE EXTENT PERMITTED BY LAW.

TITAN MAKES NO WARRANTY AND DISCLAIMS ALL IMPLIED WARRANTIES OF MERCHANTABILITY AND FITNESS FOR A PARTICULAR PURPOSE WITH RESPECT TO ACCESSORIES, EQUIPMENT, MATERIALS OR COMPONENTS SOLD BUT NOT MANUFACTURED BY TITAN. THOSE ITEMS SOLD, BUT NOT MANUFACTURED BY TITAN (SUCH AS GAS ENGINES, SWITCHES, HOSES, ETC.) ARE SUBJECT TO THE WARRANTY, IF ANY, OF THEIR MANUFACTURER. TITAN WILL PROVIDE THE PURCHASER WITH REASONABLE ASSISTANCE IN MAKING ANY CLAIM FOR BREACH OF THESE WARRANTIES.

Garantie

Titan Tool, Inc., ("Titan") garantiert, dass zum Zeitpunkt der Lieferung an den Käufer („Endverbraucher“) die Ausrüstung, die von dieser Garantie abgedeckt ist, frei von Material- und Fabrikationsfehler ist. Mit Ausnahme spezieller, eingeschränkter oder erweiterter Garantie, die Titan bekannt gegeben hat, ist die Gewährleistungsverpflichtung von Titan beschränkt auf den kostenlosen Austausch oder Nachbesserung für jene Teile, die, nachdem dies Titan nachvollziehbar nachgewiesen wurden, binnen zwölf (12) Monaten nach Verkauf an den Endverbraucher sich als fehlerhaft erweisen. Die Garantie greift nur, wenn das Gerät gemäß den Empfehlungen und Anweisungen von Titan installiert und bedient wurde.

Diese Garantie gilt nicht bei Beschädigung oder Abnutzung durch Abrieb, Korrosion oder unsachgemäße Benutzung, Unachtsamkeit, Unfall, unsachgemäße Installation, Verwendung von Ersatzteilen, die nicht von Titan stammen bzw. wenn Änderungen an dem Gerät vorgenommen wurden wodurch eine normale Benutzung beeinträchtigt wird

Defekte Teile müssen an den autorisierten Titan-Händler/ die autorisierte Titan-Niederlassung zurückgeschickt werden. Alle Transportkosten, einschließlich der Rücksendung an die Fabrik, falls erforderlich, sind vom Endverbraucher zu tragen und müssen im Voraus bezahlt werden. Repariertes oder ausgetauschtes Zubehör wird auf Kosten des Endverbrauchers nach Vorauszahlung der Transportkosten zurückgeschickt

ES GIBT SONST KEINE ANDERE MÄNGELGARANTIE. TITAN SCHLIESST HIERMIT ALLE UND JEDE STILLSCHWEIGENDE GARANTIE AUS, EINSCHLIESSLICH, JEDOCH NICHT BESCHRÄNKT AUF MARKTFÄHIGKEIT UND EIGNUNG FÜR EINEN BESTIMMTEN ZWECK, SOWEIT GESETZLICH ZULÄSSIG. DIE DAUER ALLER STILLSCHWEIGENDEN GARANTIE, DIE NICHT AUSGESCHLOSSEN WERDEN KÖNNEN, SIND BESCHRÄNKT AUF DIE IN DER AUSDRÜCKLICHEN GARANTIE FESTGELEGTE DAUER. TITAN HAFTET IN KEINER WEISE ÜBER DEN KAUFPREIS HINAUS. DIE HAFTUNG FÜR FOLGESCHÄDEN, ZUFÄLLIGE SCHÄDEN ODER SPEZIELLE SCHÄDEN UNTER JEDER UND ALLEN GARANTIE IST AUSGESCHLOSSEN SOWEIT GESETZLICH ZUGELASSEN.

TITAN ÜBERNIMMT KEINE GARANTIE UND SCHLIESST ALLE STILLSCHWEIGENDEN GARANTIE AUF MARKTFÄHIGKEIT UND EIGNUNG FÜR EINEN BESTIMMTEN ZWECK BEZÜGLICH ZUBEHÖR, AUSTRÜSTUNG, MATERIALIEN UND KOMPONENTEN AUS, DIE VON TITAN VERKAUFT, JEDOCH NICHT HERGESTELLT WURDEN. JENE VON TITAN VERKAUFTEN, JEDOCH NICHT VON TITAN HERGESTELLTEN KOMPONENTEN (WIE Z.B. GASMOTOREN, SCHALTER, SCHLÄUCHE, ETC.) UNTERLIEGEN DER GEWÄHRLEISTUNG DES JEWEILIGEN HERSTELLERS, SOFERN DIESE GEWÄHRT WERDEN. TITAN UNTERSTÜTZT DEN KÄUFER IN ANGEMESSENER WEISE, WENN ES UM ANSPRÜCHE WEGEN DER VERLETZUNG VON GEWÄHRLEITUNGEN GEHT.

Garantie

Titan Tool, Inc. ("Titan") garantit qu'au moment de la livraison à l'acheteur initial ("Utilisateur"), l'appareil couvert par la présente garantie sera exempt de défauts de matériaux et de fabrication. Exception faite de toute garantie particulière ou limitée et de toute extension de garantie publiées par Titan, la responsabilité de celui-ci se limite, en vertu de la présente garantie, au remplacement ou à la réparation sans frais des pièces dont le caractère défectueux aura été démontré de manière satisfaisante pour Titan, dans un délai de douze (12) mois après la date d'achat par l'Utilisateur. Cette garantie ne sera applicable que si l'appareil a été installé et utilisé conformément aux recommandations et directives de Titan.

Cette garantie ne sera pas applicable dans les cas d'endommagement ou d'usure dus à l'abrasion, la corrosion, un mauvais usage, la négligence, un accident, une installation incorrecte, un remplacement par des composants non fournis par Titan ou toute autre intervention non autorisée de nature à nuire au fonctionnement normal de l'appareil.

Les pièces défectueuses devront être envoyées à un centre de service / vente Titan autorisé. Les frais de transport couvrant y compris le retour à l'usine, seront, le cas échéant, prépayés par l'Utilisateur. Après réparation ou remplacement, les pièces seront renvoyées à ce dernier par transport prépayé.

AUCUNE AUTRE GARANTIE EXPRESSE N'EST ACCORDÉE. TITAN REJETTE TOUTE AUTRE GARANTIE IMPLICITE Y COMPRIS, NOTAMMENT, LES GARANTIES DE QUALITÉ MARCHANDE ET DE COMPATIBILITÉ AVEC UN USAGE PARTICULIER, DANS LES LIMITES PERMISES PAR LA LOI.

LA DURÉE DES GARANTIES IMPLICITES NE POUVANT FAIRE L'OBJET D'UNE RENONCIATION SE LIMITE À LA PÉRIODE INDIQUÉE DANS LA GARANTIE EXPRESSE.

LA RESPONSABILITÉ DE Titan NE SAURAIT EN AUCUN CAS ÊTRE ENGAGÉE POUR UN MONTANT SUPÉRIEUR À CELUI DU PRIX D'ACHAT. Titan EXCLUT TOUTE RESPONSABILITÉ RELATIVE AUX DOMMAGES INDIRECTS, ACCESSOIRES OU PARTICULIERS, DANS LES LIMITES PRÉVUES PAR LA LOI.

TITAN NE DONNE AUCUNE GARANTIE ET DÉCLINE TOUTE GARANTIE IMPLICITE DE QUALITÉ MARCHANDE ET DE COMPATIBILITÉ AVEC UN USAGE PARTICULIER EN CE QUI CONCERNE LES ACCESSOIRES, L'APPAREIL, LES MATÉRIAUX OU LES COMPOSANTS VENDUS MAIS NON FABRIQUÉS PAR Titan. CES DERNIERS ÉLÉMENTS, VENDUS MAIS NON FABRIQUÉS PAR Titan (MOTEURS À ESSENCE, COMMUTEURS, FLEXIBLES, ETC.), SONT SOUMIS, LE CAS ÉCHÉANT, À LA GARANTIE DU FABRICANT. Titan S'ENGAGE À PORTER ASSISTANCE AUX ACHETEURS, DANS LES LIMITES DU RAISONNABLE, POUR LA CONSTITUTION DE RÉCLAMATIONS RELATIVES AU NON RESPECT DE CES GARANTIES.

Garantía

Titan Tool, Inc., ("Titan") garantiza que al momento de la entrega al comprador original para su uso ("Usuario Final") el equipo que se encuentra bajo la cobertura de esta garantía no presentará defectos de materiales ni de mano de obra. A excepción de cualquier garantía especial, limitada o extendida publicada por Titan, la obligación de Titan según esta garantía se limita al reemplazo o la reparación sin cargo de las piezas, las que según el criterio de Titan se presenten como defectuosas dentro de doce (12) meses después de la venta al Usuario Final. Esta garantía es aplicable sólo cuando la unidad se instala y se hace funcionar de acuerdo con las recomendaciones e instrucciones de Titan.

Esta garantía no se aplica en caso de daño o desgaste provocado por abrasión, corrosión, uso indebido, negligencia, accidente, instalación defectuosa, sustitución de piezas de componentes que no pertenezcan a Titan o la alteración de la unidad de alguna manera que impida su funcionamiento normal.

Las piezas defectuosas se deben devolver a una tienda de ventas/servicio técnico autorizada de Titan. Todos los cargos de transporte, incluido el regreso a la fábrica de ser necesario, deben ser costeados y pagados por adelantado por el Usuario Final. El equipo que se repare o reemplace se devolverá al Usuario Final con los gastos de envío pagados por adelantado.

NO EXISTE OTRA GARANTÍA EXPRESA. POR ESTE MEDIO TITAN NIEGA TODAS LAS GARANTÍAS IMPLÍCITAS, ENTRE LAS QUE SE INCLUYEN, AQUELLAS DE COMERCIABILIDAD Y APTITUD PARA UN FIN EN PARTICULAR DENTRO DE LO QUE PERMITA LA LEY. LA DURACIÓN DE CUALQUIER GARANTÍA IMPLÍCITA QUE NO SE PUEDA NEGAR SE LIMITA AL PERÍODO QUE SE ESPECIFIQUE EN LA GARANTÍA EXPRESA. LA RESPONSABILIDAD DE TITAN NO EXCEDERÁ EN NINGÚN CASO EL VALOR DE LA COMPRA. LA RESPONSABILIDAD POR DAÑOS ESPECIALES, INDIRECTOS O EMERGENTES SEGÚN CUALQUIERA Y TODAS LAS GARANTÍAS ESTÁ EXCLUIDA DENTRO DE LO QUE PERMITA LA LEY.

TITAN NO REALIZA NINGUNA GARANTÍA Y NIEGA TODAS LAS GARANTÍAS IMPLÍCITAS DE COMERCIABILIDAD Y APTITUD PARA UN FIN EN PARTICULAR EN RELACIÓN CON ACCESORIOS, EQUIPOS, MATERIALES O COMPONENTES QUE VENDA, PERO QUE NO FABRIQUE TITAN. ESTOS ARTÍCULOS QUE VENDA, PERO QUE NO FABRIQUE TITAN (TALES COMO MOTORES DE GAS, INTERRUPTORES, MANGUERAS, ETC.) ESTÁN SUJETOS A LA GARANTÍA, DE EXISTIR ALGUNA, DE SU FABRICANTE. TITAN PROPORCIONARÁ UNA ASISTENCIA RAZONABLE AL COMPRADOR PARA REALIZAR CUALQUIER RECLAMACIÓN POR EL INCUMPLIMIENTO DE ESTAS GARANTÍAS.

Garanzia

Titan Tool, Inc., ("Titan") garantisce che al momento della consegna all'acquirente originale per l'uso ("utente finale"), il dispositivo coperto da questa garanzia è esente da difetti nei materiali e nella lavorazione. Con l'eccezione di qualsiasi garanzia speciale, limitata o estesa pubblicata da Titan, gli obblighi di Titan ai sensi di questa garanzia si limitano alla sostituzione o riparazione gratuite di quei componenti che, secondo ragionevole valutazione di Titan, si dimostrano essere difettosi entro dodici (12) mesi dalla vendita all'utente finale. Questa garanzia si applica solo se l'unità è installata e utilizzata secondo i consigli e le istruzioni di Titan.

Questa garanzia non si applica in caso di danni o usura causati da abrasione, corrosione o errato uso, negligenza, incidente, installazione errata, sostituzione di componenti non Titan o manomissione dell'unità in modo da impedire il normale funzionamento.

I componenti difettosi devono essere restituiti ad un punto vendita/assistenza Titan. Tutte le spese di trasporto, compresa la restituzione alla fabbrica, se necessario, devono essere sostenute e prepagate dall'utente finale. Il dispositivo riparato o sostituito sarà restituito all'utente finale con trasporto prepagato.

NON CI SONO ALTRE GARANZIE ESPRESSE. TITAN CON IL PRESENTE ESCLUDE QUALSIASI E TUTTE LE GARANZIE IMPLICITE COMPRESE, MA NON LIMITATE A, QUELLE DI COMERCIABILITÀ E ADEGUATEZZA AD UN PARTICOLARE SCOPO, NELLA MISURA CONSENTITA DALLA LEGGE. LA DURATA DI QUALSIASI GARANZIA IMPLICITA CHE NON POSSA ESSERE ESCLUSA SI LIMITA AL PERIODO DI TEMPO SPECIFICATO NELLA GARANZIA ESPRESA. IN NESSUN CASO LA RESPONSABILITÀ DI TITAN SUPERERÀ L'AMMONTARE DEL PREZZO DI ACQUISTO. LA RESPONSABILITÀ PER DANNI CONSEGUENZIALI, INCIDENTALI O SPECIALI AI SENSI DI QUALSIASI E TUTTE LE GARANZIE È ESCLUSA NELLA MISURA CONSENTITA DALLA LEGGE.

TITAN NON DÀ ALCUNA GARANZIA E ESCLUDE TUTTE LE GARANZIE IMPLICITE DI COMERCIABILITÀ E ADEGUATEZZA AD UN PARTICOLARE SCOPO CON RIFERIMENTO A ACCESSORI, DISPOSITIVO, MATERIALI O COMPONENTI VENDUTI MA NON PRODOTTI DA TITAN. GLI ARTICOLI VENDUTI, MA NON PRODOTTI DA TITAN (COME MOTORI A GAS, INTERRUPTORI, FLESSIBILI, ECC.) SONO SOGGETTI ALL'EVENTUALE GARANZIA DEI LORO PRODUTTORI. TITAN FORNIRÀ ALL'ACQUIRENTE LA RAGIONEVOLE ASSISTENZA NEL PRESENTARE RICORSO PER LA VIOLAZIONE DI TALI GARANZIE.

Garantia

A Titan Tool, Inc., ("Titan") garante que, no momento da entrega ao comprador original para seu uso ("Utilizador Final"), o equipamento coberto por esta garantia está isento de defeitos no material e na fabricação. Com a exceção de qualquer garantia especial, limitada ou alargada publicada pela Titan, a obrigação da Titan sob esta garantia se limita a substituir ou reparar sem cobrar essas peças que, segundo o critério da Titan, demonstram estar defeituosas dentro de doze (12) meses após a venda ao Utilizador Final. Esta garantia aplica-se apenas quando a unidade é instalada e operada de acordo com as recomendações e as instruções da Titan.

Esta garantia não se aplica no caso de danos ou desgaste causado pelo desgaste abrasivo, corrosão ou uso indevido, negligência, acidente, instalação incorrecta, substituição de peças de componentes sem serem da Titan, ou alteração ilegal da unidade de forma a afectar o funcionamento normal.

As peças defeituosas devem ser devolvidas a um centro de vendas/serviço autorizado da Titan. Todos os encargos de transporte, incluindo a devolução à fábrica, se necessário, serão custeados e pagos previamente pelo Utilizador Final. O equipamento reparado ou substituído será devolvido ao Utilizador Final com porte pré-pago.

NÃO EXISTE NENHUMA OUTRA GARANTIA EXPRESSA. A Titan RECUSA PELA PRESENTE TODAS E QUAISQUER GARANTIAS IMPLÍCITAS INCLUINDO, SEM LIMITAÇÕES, AS DE ADEQUAÇÃO À COMERCIALIZAÇÃO, ADEQUAÇÃO A UM FIM ESPECÍFICO, NA MEDIDA EM QUE A LEGISLAÇÃO OBRIGA. A DURAÇÃO DE QUAISQUER GARANTIAS IMPLÍCITAS QUE NÃO PODEREM SER RECUSADAS LIMITA-SE AO PRAZO ESPECIFICADO NA GARANTIA EXPRESSA. EM CASO ALGUM, A RESPONSABILIDADE DA Titan EXCEDERÁ O MONTANTE DO PREÇO DE COMPRA. A RESPONSABILIDADE POR DANOS CONSEQUENCIAIS, ACIDENTAIS OU ESPECIAIS AO ABRIGO DE TODAS E QUAISQUER GARANTIAS ESTÁ EXCLUÍDA NA MEDIDA EM QUE A LEGISLAÇÃO OBRIGA.

A TITAN NÃO OFERECE GARANTIAS E RECUSA TODAS AS GARANTIAS IMPLÍCITAS DE ADEQUAÇÃO À COMERCIALIZAÇÃO E ADEQUAÇÃO A UM FIM ESPECÍFICO REFERENTE A ACESSÓRIOS, EQUIPAMENTO, MATERIAIS OU COMPONENTES VENDIDOS, MAS NÃO FABRICADOS PELA TITAN. AQUELES ARTIGOS VENDIDOS, MAS NÃO FABRICADOS PELA TITAN (COMO MOTORES A GÁS, INTERRUPTORES, TUBOS, ETC.), ESTÃO SUJEITOS À GARANTIA DO SEU PRÓPRIO FABRICANTE, CASO EXISTA. A TITAN PROPORCIONARÁ AO COMPRADOR ASSISTÊNCIA ADEQUADA PARA EFECTUAR QUAISQUER RECLAMAÇÕES EM CASO DE INCUMPRIMENTO DESTAS GARANTIAS.

Garantie

Titan Tool, Inc., ("Titan") garandeert dat, op het moment van de levering aan de oorspronkelijke aankoper die de apparatuur zal gebruiken ("Eindgebruiker"), de apparatuur vrij is van defecten in het materiaal en de uitvoering. Met uitzondering van eventuele speciale, beperkte of uitgebreide garanties die door Titan zijn gepubliceerd, is de verplichting van Titan onder deze garantie beperkt tot het kosteloos vervangen of repareren van de onderdelen die, naar het redelijk oordeel van Titan, defect zijn binnen de twaalf (12) maanden na de verkoop aan de eindgebruiker. Deze garantie is alleen van toepassing wanneer de eenheid is geïnstalleerd en wordt gebruikt in overeenstemming met de aanbevelingen en instructies van Titan.

De garantie is niet van toepassing wanneer schade of slijtage optreedt als gevolg van schuren, roest of oneigenlijk gebruik, nalatigheid, een ongeval, een foute installatie, vervanging met onderdelen die niet van Titan zijn of geknoei met de eenheid die de normale werking belemmert.

Defecte onderdelen moeten worden geretourneerd aan een bevoegd verkoop-/servicepunt van Titan. Alle transportkosten, inclusief retour naar de fabriek indien nodig, zijn ten laste van en worden vooraf betaald door de Eindgebruiker. Gerepareerde of vervangen apparatuur wordt geretourneerd aan de Eindgebruiker, waarbij het transport vooraf is betaald.

ER IS GEEN ANDERE UITDRUKKELIJKE GARANTIE. TITAN WIJST HIERBIJ ALLE IMPLICIETE GARANTIES AF, INCLUSIEF, MAAR NIET BEPERKT TOT, EEN GARANTIE VOOR VERKOOPBAARHEID EN GESCHIKTHEID VOOR EEN BEPAALD DOELEINDE, VOOR ZOVER DE WET DIT TOELAAT. DE DUUR VAN EVENTUELE IMPLICIETE GARANTIES DIE NIET KUNNEN WORDEN AFGEWEEZEN IS BEPERKT TOT DE DUUR DIE IN DE UITDRUKKELIJKE GARANTIE IS VERMELD. DE AANSPRAKELIJKHEID VAN TITAN ZAL IN GEEN GEVAL GROTER ZIJN DAN HET BEDRAG VAN DE AANKOOPPRIJS. AANSPRAKELIJKHEID VOOR GEVOLGSCHADE, INCIDENTELE OF SPECIALE SCHADE IS UITGESLOTEN ONDER ALLE GARANTIES, VOOR ZOVER DE WET DIT TOELAAT.

TITAN GEEFT GEEN GARANTIES EN WIJST ALLE IMPLICIETE GARANTIES AF VOOR DE VERKOOPBAARHEID EN GESCHIKTHEID VOOR EEN BEPAALD DOELEINDE VAN ACCESSOIRES, APPARATUUR, MATERIALEN OF ONDERDELEN DIE DOOR TITAN WORDEN VERKOCHT, MAAR NIET GEPRODUCEERD. DEZE ARTIKELN DIE DOOR TITAN WORDEN VERKOCHT, MAAR NIET GEPRODUCEERD (ZOALS GASMOTOREN, SCHAKELAARS, SLANGEN, ENZ.) ZIJN ONDERWORPEN AAN DE GARANTIE VAN HUN PRODUCENT. TITAN ZAL DE AANKOPER OP REDELIJKE WIJZE BIJSTAAN BIJ HET INSTELLEN VAN ENE VORDERING BIJ EEN INBREUK OP DEZE GARANTIES.

Garanti

Titan Tool, Inc., ("Titan") garanterer, at udstyret - på leveringstidspunktet til brug af den oprindelige køber ("slutbruger") - som denne garanti dækker, er frit for defekter mht. materiale og forarbejdning. Med undtagelse af særlig, begrænset eller udvidet garanti offentliggjort af Titan, er Titans forpligtelse under denne garanti begrænset til udskiftning eller reparation uden omkostninger for de reservedele, som i Titans rimelige omdømme viser sig at være defekte indenfor tolv (12) måneder efter salget til slutbrugeren. Denne garanti gælder kun, når enheden er installeret og betjent i overensstemmelse med anbefalinger og anvisninger fra Titan.

Denne garanti gælder ikke i tilfælde af beskadigelse eller slid forårsaget af slibning, tæring eller misbrug, forsømmelighed, hændeligt uheld, forkert installation, udskiftning med reservedele som ikke stammer fra Titan, eller pilfingre som piller ved enheden så normal betjening svækkes.

Dele, som er defekte, skal sendes tilbage til en autoriseret Titan forhandler/serviceværksted. Alle forsendelsesomkostninger, inklusive tilbagesendelse til fabrikken om nødvendigt, er slutbrugers ansvar og skal forudbetales. Repareret eller udskiftet udstyr bliver tilbagesendt til slutbrugeren med forudbetalt forsendelse.

DER ER INGEN ANDEN UDTRYKKELIG GARANTI. TITAN FRALÆGGER SIG HEDMED ALLE OG ENHVER UNDERFORSTÅEDE GARANTIER INKLUSIVE, MEN IKKE BEGRÆNSET TIL GARANTIER VEDRØENDE SALGBARHED OG EGNETHED FOR ET SÆRLIGT FORMÅL, I DEN UDSTRÆKNING LOVEN TILLADER. VARIGHEDEN AF ALLE UNDERFORSTÅEDE GARANTIER, SOM IKKE KAN FRALÆGGES, ER BEGRÆNSET TIL DEN TIDSPERIODE, DER SPECIFICERES I DEN UDTRYKKELIGE GARANTI. UNDER INGEN OMSTÆNDIGHEDER SKAL TITANS ERSTATNINGSFORPLIGTELSE OVERSTIGE KØBSPRISEN. ERSTATNINGSFORPLIGTELSE FOR FØLGESKADE, TILFÆLDIGE ELLER SÆRLIGE SKADER UNDER ALLE OG ENHVER GARANTI ER UDELUKKET I DEN UDSTRÆKNING LOVEN TILLADER.

TITAN GIVER INGEN GARANTI OG FRALÆGGER SIG ALLE UNDERFORSTÅEDE GARANTIER FOR SALGBARHED OG EGNETHED FOR ET SÆRLIGT FORMÅL MED HENSYN TIL TILBEHØR, UDSYR, MATERIALER ELLER KOMPONENTER, SOM SÆLGES, MEN IKKE FREMSTILLES AF Titan (F.EKS. BENZINMOTORER, AFBRYDERE, SLANGER OSV.) DISSE UNDERLAGT GARANTIER, HVIS DE FINDES, FRA DERES PRODUCENT. Titan VIL YDE KØBEREN RIMELIG HJÆLP MED AT STILLE ETHVERT ERSTATNINGSKRAV FOR MISLIGHOLDELSE AF DE SIDSTNÆVNTE GARANTIER.

Garanti

Titan Tool, Inc., ("Titan") garanterar att, vid tidpunkten för leverans till den ursprungliga köparen ("Slutanvändare"), utrustningen som täcks av denna garanti är fri från material- och tillverkningsfel. Med undantag för någon speciell, begränsad eller utökad garanti utfärdad av Titan, är Titans skyldighet under denna garanti begränsad till kostnadsfritt utbyte eller reparation av de delar, enligt Titans rimliga tillfredställande, visar sig vara defekta inom tolv (12) månader efter försäljning till Slutanvändaren. Den här garantin gäller endast när enheten installeras och används enligt rekommendationer och anvisningar från Titan.

Garantin gäller inte i händelse av skada eller slitage som orsakats av slitning, korrosion eller felaktig användning, vårdslöshet, olyckshändelse, felaktig installation, användning av andra komponenter än Titan-komponenter, eller manipulering av enheten på ett sätt som försämrar normal drift.

Defekta delar returneras till en godkänd Titan-butik/verkstad. Alla fraktkostnader, inklusive retur till fabriken, vid behov, förskottsbetalas av Slutanvändaren. Reparerad eller utbytt utrustning returneras till Slutanvändaren i frakterat emballage.

DET FINNS INTE NÅGON ANNAN UTTRYCKT GARANTI. TITAN FRISKRIVER SIG HÄRMED FRÅN ALLA UNDERFÖRSTÅDDA GARANTIER, BLAND ANNAT DE ANGÅENDE SÄLJBARHET OCH LÄMPLIGHET FÖR ETT SPECIELLT ÄNDAMÅL, I DEN OMFATTNING LAGEN MEDGER DET. VARAKTIGHETEN FÖR EN UNDERFÖRSTÅDD GARANTI SOM INTE KAN FRISKRIVAS ÄR BEGRÄNSAD TILL DEN TIDSPERIOD SOM ANGES I DEN UTTRYCKTA GARANTIN. I INGET FALL SKA TITANS SKYLDIGHET ÖVERSKRIDA BELOPPET PÅ INKÖSPRISET. ANSVAR FÖR FÖLJDSKADOR, OFÖRUTSEDDA ELLER SPECIELLA SKADOR UNDER NÅGON GARANTI ÄR EXKLUDEERAT TILL DEN OMFATTNING LAGEN MEDGER.

TITAN LÄMNAR INGEN GARANTI OCH FRISKRIVER SIG FRÅN ALLA UNDERFÖRSTÅDDA GARANTIER ANGÅENDE SÄLJBARHET OCH LÄMPLIGHET FÖR ETT SPECIELLT ÄNDAMÅL MED HÄNSYN TILL TILLBEHÖR, UTRUSTNING, MATERIAL ELLER KOMPONENTER SOM SÄLJS MEN INTE TILLVERKAS AV TITAN. DE ARTIKLAR SOM SÄLJS, MEN INTE TILLVERKAS AV TITAN (T.E.X. GASMOTORER, BRYTARE, SLANGAR ETC.) GÄLLER UNDER EVENTUELL GARANTI FRÅN DERAS TILLVERKARE. TITAN GER KÖPAREN RIMLIG ASSISTANS MED EVENTUELL YRKANDE OM ÖVERTRÄDANDE AV DESSA GARANTIER.